




DIAMOND STREET LANTERN

features

- ⇒ Heavy-duty cast aluminum housing with polyester powder coat paint for superior protection against fade and wear
- ⇒ LED drivers hard mounted to die-cast aluminum back casting for optimal heat sinking and operation efficiency
- ⇒ Thermal management incorporates both conduction and natural convection to transfer heat rapidly away from the LED source and retain optimal efficiency and light output
- ⇒ Easy maintenance toolless opening of gear compartment
- ⇒ Surge protections of 6kV from lightning strike 
- ⇒ Power Factor: 0.95
- ⇒ IP 66, making it suitable for outdoor use



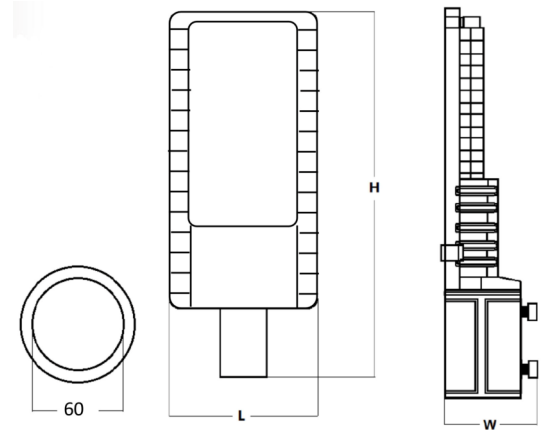
standard specification

Colour Temp

available in
warmwhite (3000K)
coolwhite (4000K)
daylight (6500K)

Long Lifetime

25,000 hours



Watt (W)	Length (mm)	Height (mm)	Width (mm)
50	185	435	90
100	225	500	110
150	255	600	110

Description	Watt (W)	Voltage (V)	Lumen (LM)	CCT	Standard Pack
CSG-SL001/50W	50	AC 80 ~265	4500	6500K	10 pcs/ ctn
CSG-SL001/100W	100	AC 80 ~265	11000	3000K, 4000K, 6500K	6 pcs/ ctn
CSG-SL001/150W	150	AC 80 ~265	16500	3000K, 4000K, 6500K	4 pcs/ ctn