

COSGO

UPGRADE YOUR LIGHTSTYLE
BY ELEGANT

LED SOLAR SPIKE HOLDER

features

- ⇒ Uses COB LED resulting in low energy consumption (80% energy saving) and long lifetime
- ⇒ Comes with IP 65, making it suitable for both outdoor use and indoor use
- ⇒ Charges by day, lights up at night
- ⇒ Lighting time of 3~5 hours, lasting for 2-3 days
- ⇒ Uses PV panel (136mmX79.5mm) of power 1.5W and 6V
- ⇒ Uses polysilicon battery with capacity of 2000 mAh
- ⇒ Simple direct replacement of traditional incandescent lamps
- ⇒ High efficiency with low cost of consumptions

standard specification

Long Lifetime

30,000 hours

Colour Temp

available in

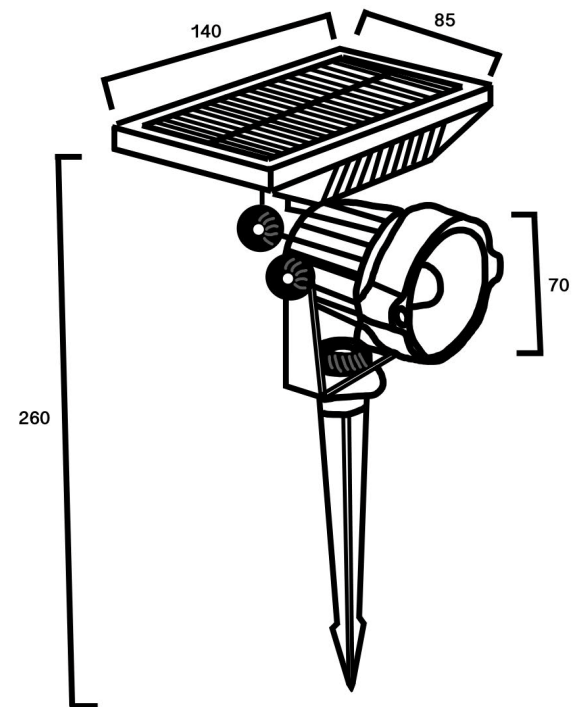
warmwhite(2700K)

RGB

Applications



dimensions (mm)



Description	Watt (W)	Lumen (LM)	CCT	CRI	Standard Pack
CG-510	10	900	2700K, RGB	≥ 80	30 pcs/ ctn