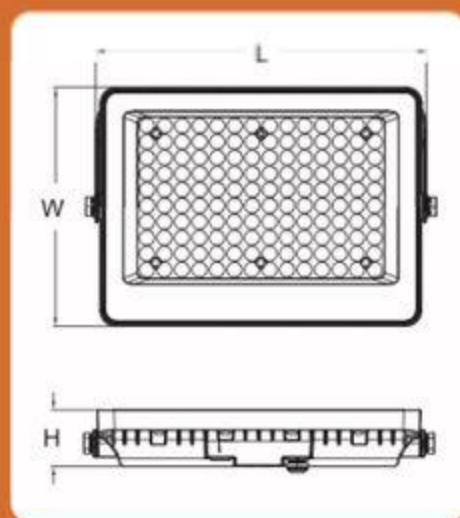


LED SOLAR FLOOD LIGHT

SMK-SOLAR SERIES

120W 200W 300W 400W



PRODUCT ADVANTAGES AND FEATURES



240LM/W



IP66



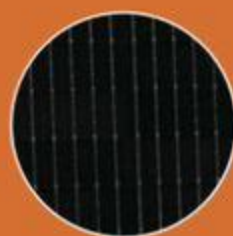
Ra>70



90°



Double chips



Monocrystalline Solar panel



More secure installation



Charging display



XT60 connector



Branded battery

Model	Watts (w)	Battery Capacity	Luminous Flux	Beam angle	Light Dimension (L*W*H) mm	Solar Dimension (L*W*H) mm	QTY/CTN
SMK-SOLAR120FL	120W	10000mAh	900LM	90°	192*132*40.8	390*235*17	10
SMK-SOLAR200FL	200W	15000mAh	1200LM	90°	240*173.3*40.8	390*300*17	5
SMK-SOLAR300FL	300W	20000mAh	1800LM	90°	240*173.3*40.8	390*375*17	5
SMK-SOLAR400FL	400W	25000mAh	2200LM	90°	271.5*198.3*40.8	390*450*17	4