

LED NYLON HOLDER SPIKE

features

- ⇒ Instant 100% light, no warm-up time, no flickering
- ⇒ Uses advanced LED technology resulting in low energy consumption (80% energy saving) and long lifetime
- ⇒ High colour rendering index, restore true colour of environment
- ⇒ Simple direct replacement of traditional incandescent lamps
- ⇒ Designed for a connection with a 110 ~ 240 AC / 50 ~ 60 Hz
- ⇒ Beam angle: 38°



standard specification

Long Lifetime

25,000 hours

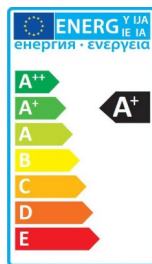
Applications



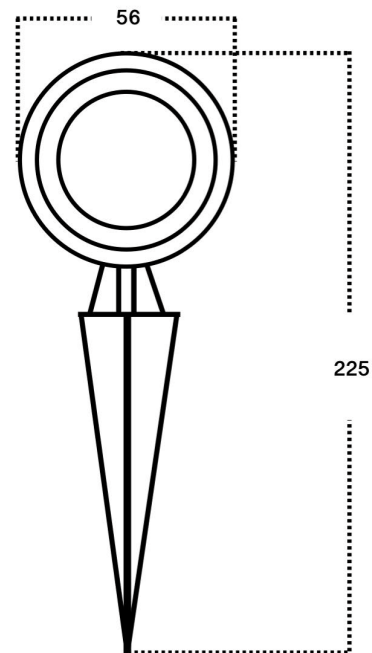
Colour Temp

available in

warmwhite(3000K)



dimensions (mm)



Description	Watt (W)	Voltage (V)	Lumen (LM)	CCT	CRI	Standard Pack
TWH-8299	7	AC 110 ~ 240	680	3000 K	≥ 80	50 pcs/ ctn