



LUMINAIRE SPECIFICATIONS

• Power	100W 200W 300W
• Fitting Material	Die-cast aluminium Non-corrosive
• Fitting Color	Black
• Optical Cover	Textured Tempered Glass
• Ingress Protection	IP65
• Impact Protection	IK06
• Voltage	170-265 Vac 50/60Hz
• Electrical Safety Class	Class I
• Operating Temperature	-15 ~ +45°C
• Installation	Mounting Bracket
• Surge Protections	Yes
• Pre-Wire	600 mm

LED MODULE SPECIFICATIONS

• Color Temperature	3000K Warm White 4000K Cool White 6500K Day Light
• Color Rendering Index (CRI)	>80
• L70	300,000 Hrs @ 25°C
• PCB Material	Metal Core

FEATURES

- Non-isolated drive with glue filling
- Direct AC supply connection (170-265 Vac 50/60Hz)
- High system efficiency
- Mid Power LEDs
- Thin & lightweight size

APPLICATION

- Parks, Gardens, Facade Lightings, Parking Areas, Commercial and Residential Areas

ORDER CODE

WATTAGE	CARTON DIMENSION (L x W x H) mm	NETT WEIGHT
100W	455x245x295	1.4 kg
200W	380x305x330	3.1 kg
300W	465x195x415	4.5 kg

* Please indicate LED color temperature when ordering

MEASUREMENT

WATTAGE	TYPICAL LUMINOUS FLUX	TYPICAL WATTAGE
100W	10000	100
200W	20000	200
300W	30000	300

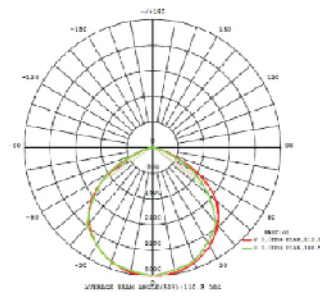
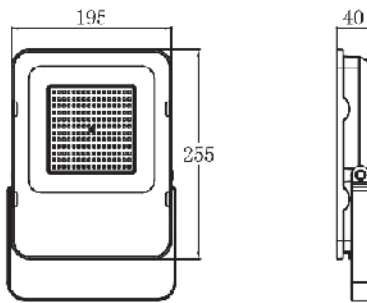
* All result tested base on 6500K CCT LEDs.



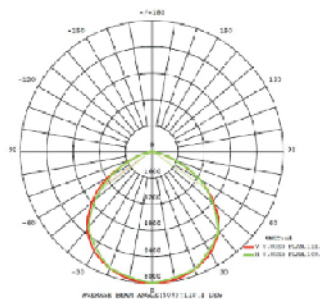
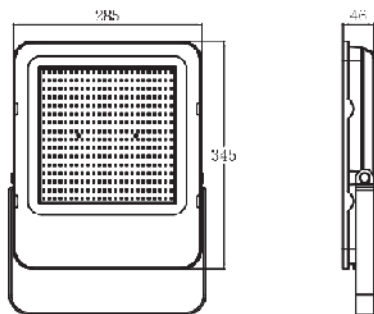
DIMENSION

PHOTOMETRIC

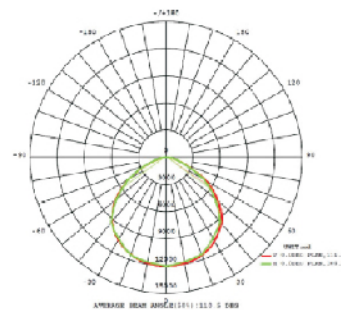
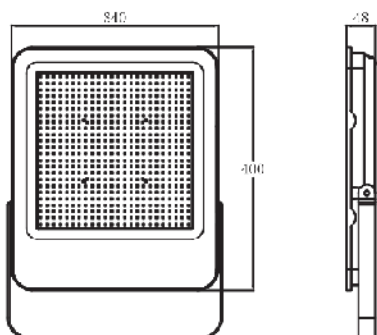
100W



200W



300W



Note: All specifications are subject to change without prior notice for product improvement. Images, pictures, and illustrations used are for illustrative purposes only and the color printed in the brochure may differ from the actual product.

PRESTIGE PRO LED FLOODLIGHT

LED FLOOD LIGHT



100W

**LUMEN
10000**

DESCRIPTION	CCT (K)
PLS-100PRO-FL	3000K
PLS-100PRO-FL	4000K
PLS-100PRO-FL	6500K

200W

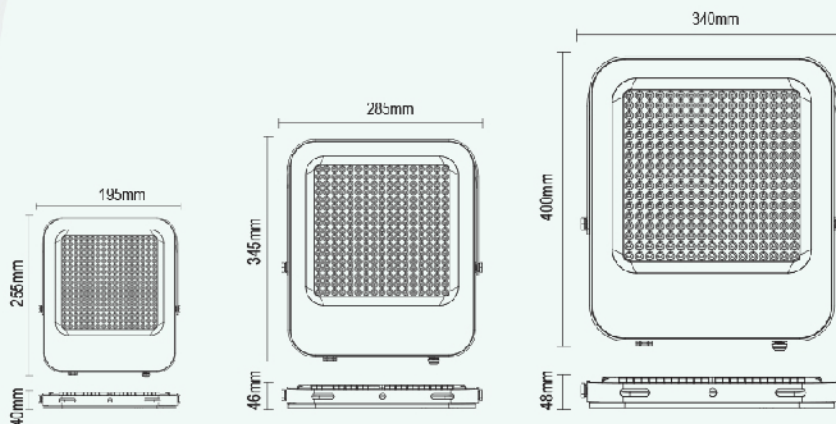
**LUMEN
20000**

DESCRIPTION	CCT (K)
PLS-200PRO-FL	3000K
PLS-200PRO-FL	4000K
PLS-200PRO-FL	6500K

300W

**LUMEN
30000**

DESCRIPTION	CCT (K)
PLS-300PRO-FL	3000K
PLS-300PRO-FL	4000K
PLS-300PRO-FL	6500K



PRODUCT FEATURES

- Non-isolated drive with glue filling
- Direct AC supply connection (170-265V 50/60Hz)
- High system efficiency
- Mid Power LEDs
- Thin & lightweight size



VOLTAGE AC220-240V 50/60Hz | CRI 80

