

PC

PRESTIGE

SOLAR FLOODLIGHT



PC SOLAR FLOODLIGHT

Notice:

Discharge time, our mode is 100% brightness in the first 4 hours, and 60-70% in the next 3 hours, while the last 3 hours will be 30-40% brightness. Timing function: 3H, 5H, 8H. Another mode is brightness adjustment mode, which is indicated on remote control. Best effect, recommended use of "AUTO" mode.

Magnifying lens for brighter illumination



PRODUCT FEATURES

- Aluminium & Glass
- Long life time
- Wide angle beam
- LiFePO4 Battery

400W

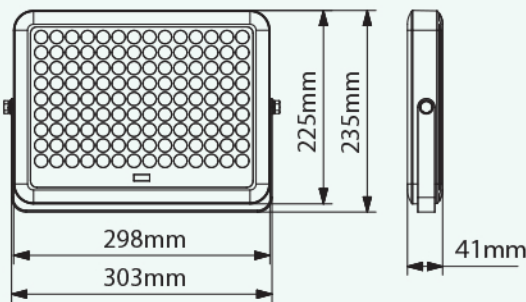
LUMEN
170/lm

Solar Panel Size:
390mm x 360 mm x 17mm
Solar Panel Power: 25W 5V
Lamp Beads: 3030 / 126 pcs
Battery: LiFePO4 25AH3.2V

500W

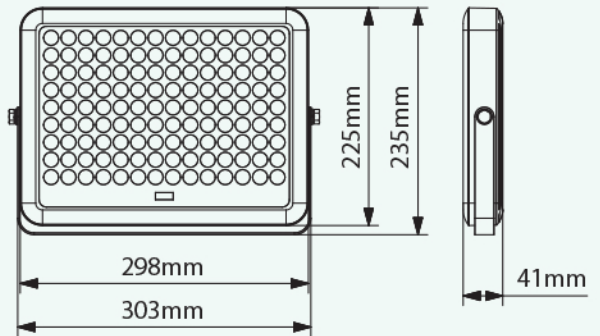
LUMEN
170/lm

Solar Panel Size:
390mm x 430 mm x 17mm
Solar Panel Power: 30W 5V
Lamp Beads: 3030 / 126 pcs
Battery: LiFePO4 30AH3.2V



400W

DESCRIPTION	CCT (K)
PLS-PC400-SOLAR-FL	3000K
PLS-PC400-SOLAR-FL	6500K



500W

DESCRIPTION	CCT (K)
PLS-PC500-SOLAR-FL	3000K
PLS-PC500-SOLAR-FL	6500K

CHARGING TIME: 5-6 Hours | **CRI 80** | **BATTERY CAPACITY:** 3.2V 6~30 Ah

