

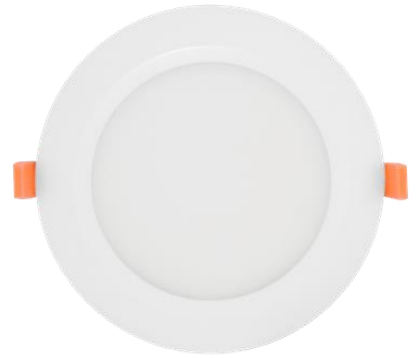
TUNGSRAM™

Innovation is our heritage
EST. 1896

LED Slim Downlight Premium



Tungsräm Slim Downlight Premium products are ultra-thin, recessed luminaires, designed to directly replace CFL lamps. Available in different sizes and colour-temperature options. With this extra slim range, lighting can be easily upgraded in offices, commercial buildings or retail outlets. An excellent choice for switching to LED and benefiting from their energy saving and long lifetime..



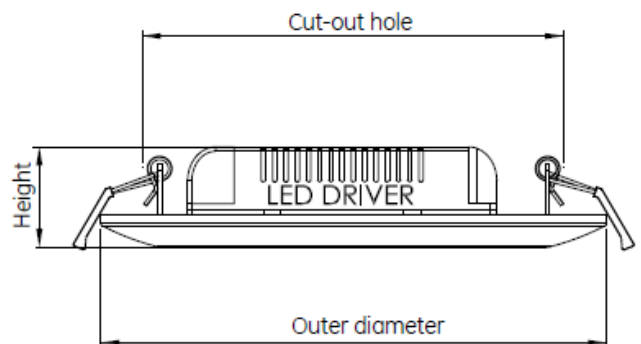
Product Code	Product Description	Wattage (W)	Power Factor	Lumen (lm)	CCT (K)	Pack Qty (PCS)	List Price (MYR)
LED SLIM DOWNLIGHT PREMIUM - STATIC DRIVER 6"							
93116860	LED DLR SLIM P1 TU6 IP40 12W 830 SST	12	0.9	1080	3000	1/20	105.00
93103680	LED DLR SLIM P1 TU6 IP40 12W 840 SST	12	0.9	1080	4000	1/20	105.00
93103681	LED DLR SLIM P1 TU6 IP40 12W 865 SST	12	0.9	1080	6500	1/20	105.00
LED SLIM DOWNLIGHT PREMIUM - STATIC DRIVER 8"							
93108087	LED DLR SLIM P1 TU8 IP40 18W 830 SST	18	0.9	1530	3000	1/10	Ask me
93108088	LED DLR SLIM P1 TU8 IP40 18W 840 SST	18	0.9	1620	4000	1/10	Ask me
TBD	LED DLR SLIM P1 TU8 IP40 18W 865 SST	18	0.9	1620	6500	1/10	Ask me
93108090	LED DLR SLIM P1 TU8 IP40 22W 830 SST	22	0.9	2000	3000	1/10	Ask me
93108091	LED DLR SLIM P1 TU8 IP40 22W 840 SST	22	0.9	2000	4000	1/10	Ask me
TBD	LED DLR SLIM P1 TU8 IP40 22W 865 SST	22	0.9	2000	6500	1/10	Ask me

Features

- High efficiency: up to 90lm/w
- 50 000 hours lifetime (L70)
- 3 colour temperatures: 3000, 4000 and 6500K
- Colour rendering index: CRI 80+
- Beam angle: 110 ±12°
- Operation temperature: -10°C to 40°C
- Low THD < 30%
- UV-free & IR-free
- Visual Comfort – RG0 & flicker free

Fixture structure

- Integrated polystyrene and polymethyl methacrylate front material and white aluminum housing for good heat dissipation
- 0,75 mm² hard wire for easy connection
- Tested for glow wire at 650°C



Application Areas

- Stairways
- Corridors
- General illumination
- For retail, hospitality & office

Dimension

Type	Size	Outer Diameter (mm)	Height (mm)	Cut-out hole (mm)	Weight (g) (with driver)	Weight (g) without driver
Static	6"/148 mm	180+/-2	36	150+/-2	310	240
Static	8"/200 mm	240+/-2	36	200+/-2	520	430