

LED PERFORMANCE SENSOR HIGHBAY G4



Highlights:

- Available in 3 wattages, 100w, 150w&200w;
- IP65&IK08 protection;
- 1-10V dimming;
- Long 100,000hrs lifetime

Application Areas:

- Warehouse
- Factory;
- Public area;

Advancing Light

One of the World's leaders in general lighting for lighting professionals as well as end users, offering



A broad variety of LED luminaires



Advanced LED lamps



Intelligent, networked Smart Home & Smart Building solutions



Traditional light sources



LED PERFORMANCE SENSOR HIGHBAY G4



Product features:

- Available in 100w,150w,200w;
- 100-277V AC input;
- 1-10V dimming ;
- Compatible with DC emergency kit;
- Work with LEDVANCE motion sensor;
- Standard 6500K and 4000K, CRI > 80
- High power factor: PF>0.90
- 160lm/w, 100,000hrs lifespan @25°C
- IP65,IK08 protected, Pre-wired with 500mm cable

Product benefits:

- Energy saving thanks to 160lm/w system efficacy ;
- Variety sensor working modes satisfy different energy management applications;
- Die-cast housing, UV resistant PC lens offer a durable service;
- Long 100,000hrs lifetime reduces maintenance costs;
- Safety compliance certificates: CB, EMC RoHS 2.0

Application Areas:

- Common Industry and commercial lighting application
- Warehouses lighting application
- Public space (Airport, station and indoor stadium)



Product Information

LED PERFORMANCE SENSOR HIGHBAY G4				
Electrical Data	Wattage (W)	100W	150W	200W
	Voltage range	100 - 277VAC		
	Dim Type	1-10V dimming		
	Power factor	0.9		
	Line frequency	50/60Hz		
	Surge Protection	L-N> 4000V, LN-G>6000V		
	THD	≤ 20 %@100-277V; ≤10%@230V		
	Protection class	Class I		
Photometric	Rated lumens	16000lm	24000lm	32000lm
	CCT (K)	4000K&6500K		
	Beam angle	90°	90°	60°
	CRI	80		
	SDCM	< 5		
	Efficacy	160lm/W		
	LED	SMD 2835		
Operation	Rated lifetime	100,000 hrs @ L80 (Ta=25°C) 50,000 hrs @ L80 (Ta=35°C)		
	Operating temperature	-30 ~ +50°C		
	Storage temperature	-40 ~ +70°C		
Housing	Housing	Diecast Aluminum		
	Diffuser	PC lens		
	IP &IK grade	IP 65&IK 08		
	Power cord	0.5m		

Emergency Kite requirement

- 170-240V DC output;
- 1-10V Dimming output;
- Constant power output:

LEDVANCE PERFORMANCE SENSOR HIGHBAY G4	Emergency Kit power output requirement
P-HB-100W-1-10V-SE-WV-840 P-HB-100W-1-10V-SE-WV-865	≥10w
P-HB-150W-1-10V-SE-WV-840 P-HB-150W-1-10V-SE-WV-865	≥15w
P-HB-200W-1-10V-SE-WV-840 P-HB-200W-1-10V-SE-WV-865	≥20w

Product Information

SENSOR & REMOTE CONTROL					
Sensor	Wattage (W)	<0.5w			
	Microwave power(W)	<0.3mW			
	Voltage range	5-12VDC			
	Microwave frequency	Microwave 5.8GHz			
	Sensitivity	100%(Default)	75%	50%	25%
	Daylight threshold	Disable(Default)	10lux	25lux	50lux
	Hold time	5s(Default)	1min	3min	10min
	Stand-by dimming level	20%(Default)		30%	
	Stand-by period	0s(Default)	10s	10min	+∞
	Mounting height	6-15m			
	Operate temperature	-30~+50°C			
	Color	White			
Remote control	Powered by	2AAA battery			
	Technology	Infrared			
	Color	White			
	On-off ↔ Sensor	Press Key "ON/OFF", Key "AUTO"			
	Power adjustment	100%/80%			
	Control distance	15m			
	Hold time	The period of light keeping 100% brightness after moving objects are no longer detected			
	Stand-by dimming level	The dimming level in the standby period.			
	Stand-by period	The period of light keeping low output before it's turn off. When set as 0s, light will be shut down immediately when no movement is detected When set as "+∞", the light always keep at low output and never shut down even no movement in the detection area			
	Daylight threshold	Definition of the ambient brightness; Only when the ambient brightness is lower than the preset specific lux amount, the sensor will work; "Disable", the sensor work as any brightness			
Sensitivity	Movement will be detected in the area and able to trigger the sensor. 100% detection area is also known as the strong sensitivity.				

Notice

- The change of sensor settings are only controlled the remote control;
- Remote control apply to mutiple sensors but only change one sensor setting in one time.



Product Information

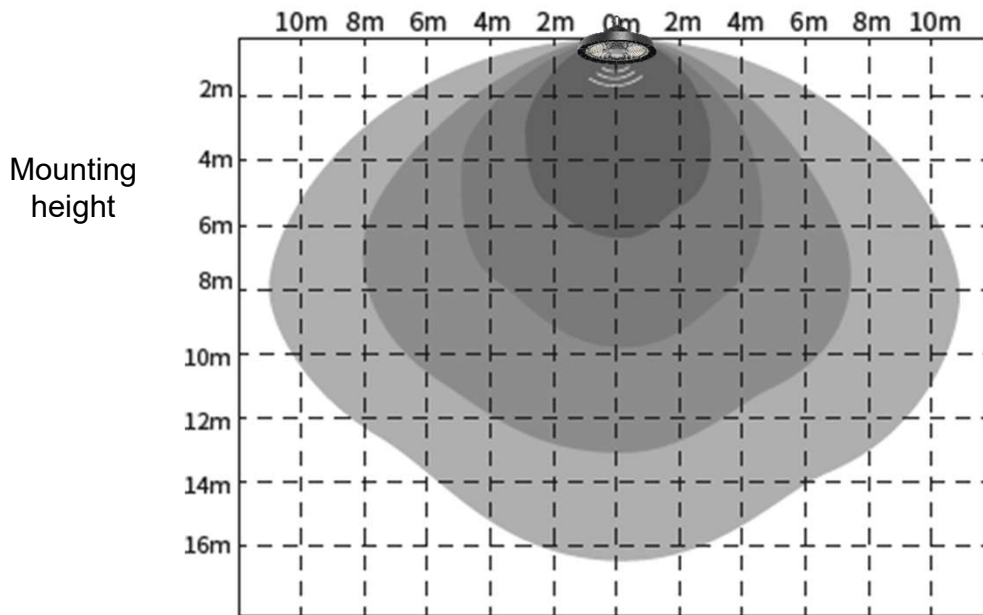
Sensitivity

25%

50%

75%

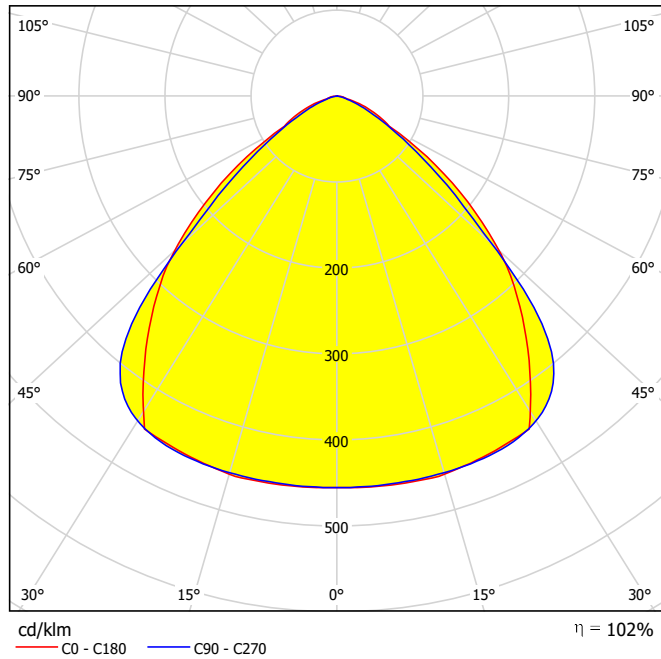
100%





Polar Intensity Diagram

100W



0.5	1.08 1.13	E(0°) 29154 E(C90) 47.2° 4611 E(C0) 48.6° 4248
1.0	2.16 2.27	E(0°) 7289 E(C90) 47.2° 1153 E(C0) 48.6° 1062
1.5	3.24 3.40	E(0°) 3239 E(C90) 47.2° 512 E(C0) 48.6° 472
2.0	4.32 4.54	E(0°) 1822 E(C90) 47.2° 288 E(C0) 48.6° 266
2.5	5.40 5.67	E(0°) 1166 E(C90) 47.2° 184 E(C0) 48.6° 170
3.0	6.48 6.81	E(0°) 810 E(C90) 47.2° 128 E(C0) 48.6° 118

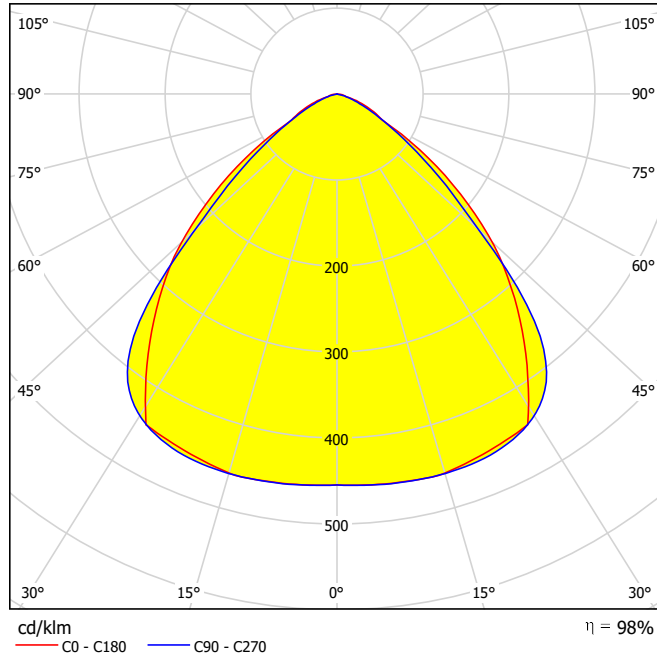
Distance [m] Cone Diameter [m] Illuminance [lx]

— C0 - C180 (Half-value Angle: 97.2°)
— C90 - C270 (Half-value Angle: 94.4°)



Polar Intensity Diagram

150W



0.5	1.04 1.10	E(0°) 43661 E(C90) 46.1° 7411 E(C0) 47.7° 6744
1.0	2.08 2.20	E(0°) 10915 E(C90) 46.1° 1853 E(C0) 47.7° 1686
1.5	3.12 3.30	E(0°) 4851 E(C90) 46.1° 823 E(C0) 47.7° 749
2.0	4.16 4.40	E(0°) 2729 E(C90) 46.1° 463 E(C0) 47.7° 422
2.5	5.20 5.49	E(0°) 1746 E(C90) 46.1° 296 E(C0) 47.7° 270
3.0	6.23 6.59	E(0°) 1213 E(C90) 46.1° 206 E(C0) 47.7° 187

Distance [m] Cone Diameter [m]

— C0 - C180 (Half-value Angle: 95.4°)

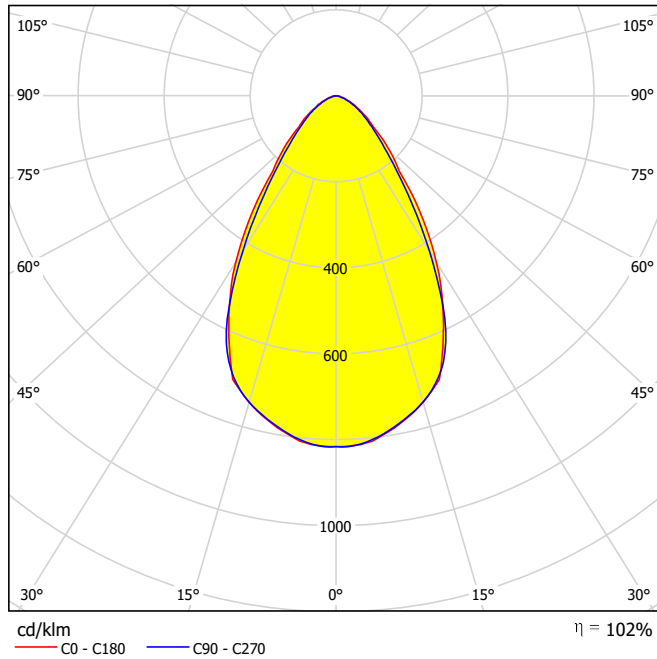
— C90 - C270 (Half-value Angle: 92.2°)

Illuminance [lx]



Polar Intensity Diagram

200W

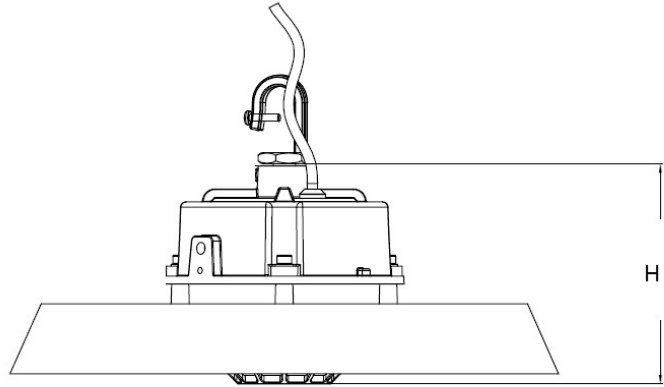
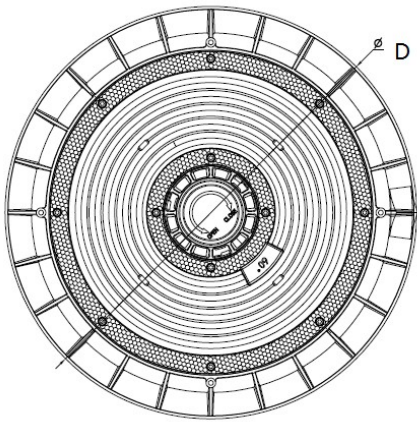


0.5	0.61 0.64	E(0°) 104512 E(C90) 31.4° 32593 E(C0) 32.8° 31103
1.0	1.22 1.29	E(0°) 26128 E(C90) 31.4° 8148 E(C0) 32.8° 7776
1.5	1.83 1.93	E(0°) 11612 E(C90) 31.4° 3621 E(C0) 32.8° 3456
2.0	2.44 2.58	E(0°) 6532 E(C90) 31.4° 2037 E(C0) 32.8° 1944
2.5	3.05 3.22	E(0°) 4180 E(C90) 31.4° 1304 E(C0) 32.8° 1244
3.0	3.66 3.87	E(0°) 2903 E(C90) 31.4° 905 E(C0) 32.8° 864

Distance [m] Cone Diameter [m] Illuminance [lx]

— C0 - C180 (Half-value Angle: 65.6°)
— C90 - C270 (Half-value Angle: 62.8°)

Drawing/Dimensions

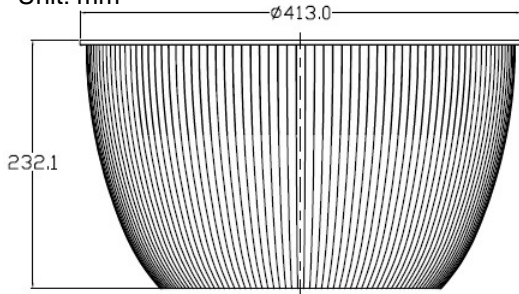


PERFORMANCE SENSOR HIGHBAY G4	D(mm)	H(mm)	Net Weight(g)
P-HB-100W-1-10V-SE-WV-840 P-HB-100W-1-10V-SE-WV-865	298	119	2400g
P-HB-150W-1-10V-SE-WV-840 P-HB-150W-1-10V-SE-WV-865	298	119	2400g
P-HB-200W-1-10V-SE-WV-840 P-HB-200W-1-10V-SE-WV-865	336	122	3000g

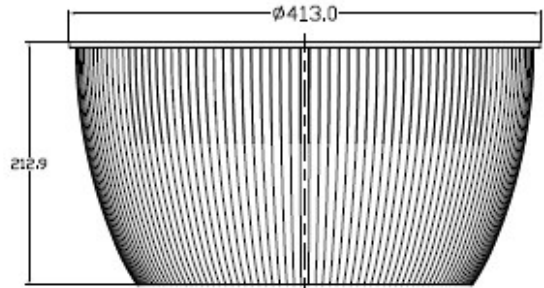


Drawing/Dimensions

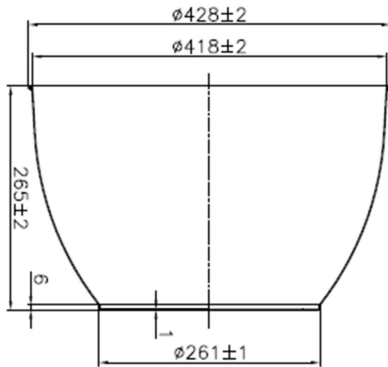
Unit: mm



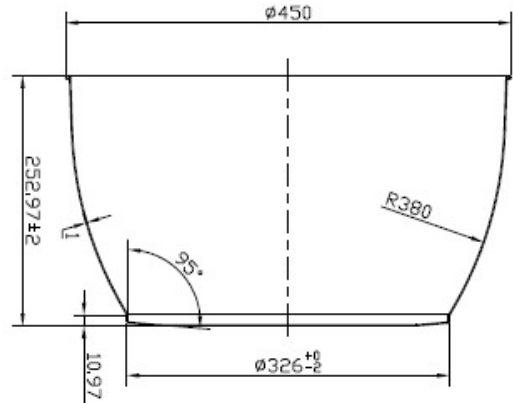
LDPFM HB G4 PC RFT M150 VS10 LEDV



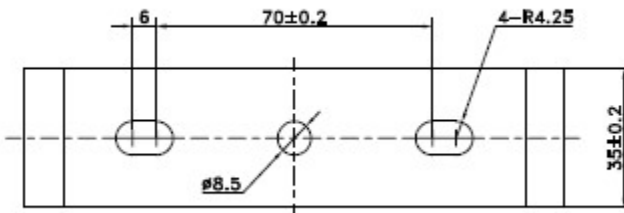
LDPFM HB G4 PC RFT L200 VS10 LEDV



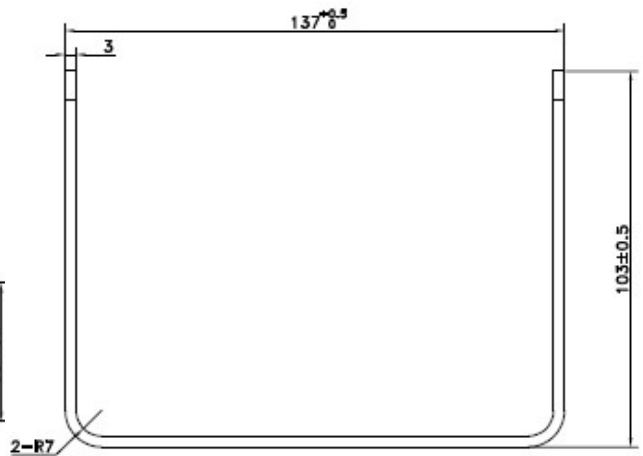
LDPFM HB G4 AL RFT M150 VS10 LEDV



LDPFM HB G4 AL RFT L200 VS10 LEDV



LDPFM HB G4 BRK L200 20X1 LEDV





Ordering Information

Luminaire

Description	Model Name	Shipping Quantity	EAN40
LDPFM HB SE 100W 865 G4 VS1 EN LEDV	P-HB-100W-1-10V-SE-WV-865	1	4058075726178
LDPFM HB SE 150W 865 G4 VS1 EN LEDV	P-HB-150W-1-10V-SE-WV-865	1	4058075726215
LDPFM HB SE 200W 865 G4 VS1 EN LEDV	P-HB-200W-1-10V-SE-WV-865	1	4058075726246
LDPFM HB SE 100W 840 G4 VS1 EN LEDV	P-HB-100W-1-10V-SE-WV-840	1	4058075726284
LDPFM HB SE 150W 840 G4 VS1 EN LEDV	P-HB-150W-1-10V-SE-WV-840	1	4058075726307
LDPFM HB SE 200W 840 G4 VS1 EN LEDV	P-HB-200W-1-10V-SE-WV-840	1	4058075726314

Accessory

Description	EAN10	Shipping Quantity	EAN40
LDPFM HB G4 PC RFT M150 VS10 LEDV	NA	10	4058075753822
LDPFM HB G4 PC RFT L200 VS10 LEDV	NA	10	4058075753839
LDPFM HB G4 AL RFT M150 VS10 LEDV	NA	10	4058075753891
LDPFM HB G4 AL RFT L200 VS10 LEDV	NA	10	4058075753907
LDPFM HB G4 BRK L200 20X1 LEDV	4058075753952	20	4058075753969
LDPFM HB G4 MS 50X1 LEDV	4058075753976	50	4058075753983
LDPFM HB G4 RC 50x1 LEDV	4058075753990	50	4058075754003