

LED PERFORMANCE SOLAR STREETLIGHT



Highlights:

- All-in-one design, flexible installation
- High system efficacy 185lm/W
- Rotatable LED module
- Grade A bifacial monocrystalline solar panel
- Intelligent controller, rainy day intelligent delay

Application Areas:

- Streets, roads
- Rural areas villages
- Parks, pedestrian path lighting
- Places where has no access to electricity

Advancing Light

LEDVANCE is one of the World's leaders in general lighting for lighting professionals as well as end users, offering



A broad variety of LED luminaires



Advanced LED lamps



Intelligent, networked Smart Home & Smart Building solutions



Traditional light sources



LED PERFORMANCE SOLAR STREETLIGHT

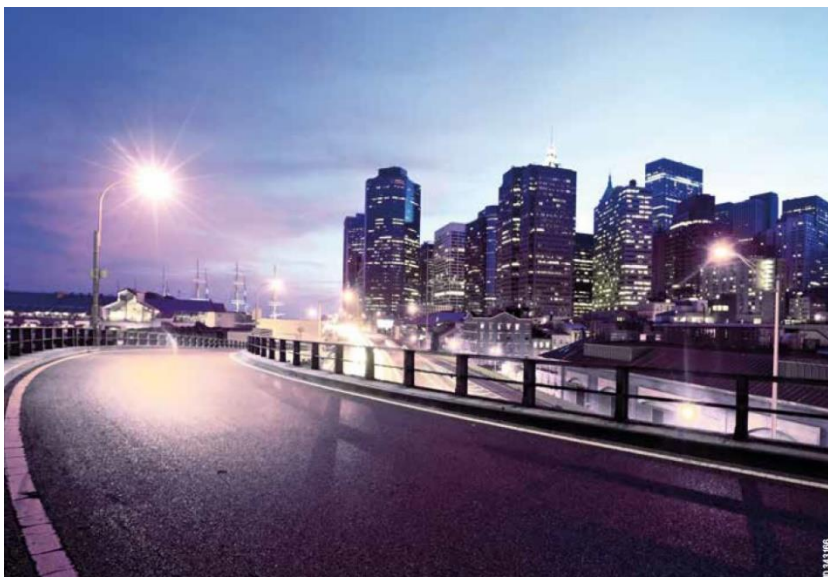


Product Features:

- System wattage 10W, 20W, 30W, 40W, 50W and 60W
- LiFeP04 battery charge-discharge cycle 2000 times
- Battery overcharge, overdischarge, overheat and short circuit protections
- With motion sensor and without motion sensor versions available
- Meet ME4 road lighting class requirement thanks to professional optical design
- Intelligent controller, rainy day intelligent delay
- Automatically on/off according to brightness of daylight
- IP66 rated
- CB certificate available

Product Benefits:

- All-in-one design, no wiring required, flexible installation
- Extremely high system luminous efficacy 185lm/W to maximize the battery performance
- Rotatable LED module, ensures the light to reach the target surface amply
- Grade A bifacial monocrystalline solar panel, higher sunlight absorbing efficiency than single-sided monocrystalline solar panel
- Adjustable install arm, multi-angle adjustment, make solar panel easy to apply to sunlight trajectory from different directions



Application Areas:

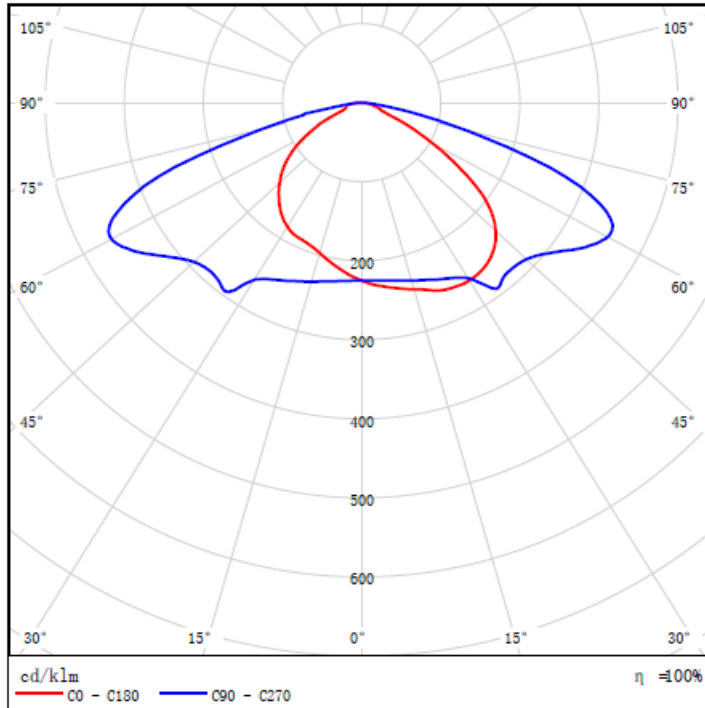
- Streets, roads
- Rural areas, villages
- Parks, pedestrian path lighting
- Places where has no access to electricity

Product Information

LEDVANCE® LED Performance Solar Streetlight		10W	20W	30W	40W	50W	60W
LED module	Wattage	10	20	30	40	50	60
	Luminous efficacy	185 lm/W					
	Luminous flux	1850lm	3700lm	5550lm	7400lm	9250lm	11100lm
	CRI	Ra>70					
	CCT	3000K, 4000K, 6500K					
	Beam angle	30°x150°					
	Lens	UV stabilized polycarbonate					
	Lifetime(h)	>80, 000hrs @ 35°C					
	LED Module tilt angle	± 60° adjustable					
Solar panel	Material type	Bifacial Monocrystalline solar panel					
	Peak power	30W	40W	50W	60W	70W	80W
	Operating voltage	18V					
Battery	Battery	LiFePo4					
	Capacity	12AH	18AH	24AH	30AH	36AH	42AH
	Operating voltage	12.8V					
	Charge-discharge cycle	2000 times					
	Protection	Overcharge, overdischarge, overheat and short circuit protections					
Mechanical	Luminaire weight (kg)	9.5Kg	10.9Kg	12.9Kg	14.3Kg	16.5Kg	17.9Kg
	Max. installing height	5 meters	6 meters	6 meters	8 meters	10 meters	10 meters
	Max. installing height (with sensor version)	5 meters	6 meters	6 meters	8 meters	8 meters	8 meters
	Housing material	Die-cast aluminum					
	IP Rating	IP66					
	Mounting	Side entry, post top					
	Install arm tilt angle	± 60° adjustable					
	Pole diameter	Ø60 mm					
Others	Ambient Temperature	Charging: 0 ~ +50°C; Discharging: -20°C ~ +50°C					
	Motion sensor	In-built Microwave sensor (both with and without sensor versions are available)					
	Certification	CB (issued by TUV)					
	Lighting modes (10W/20W/30W)	Preset two lighting modes (for ≥2 days use): 1. Timer control + sensor mode: first 5hrs from dusk 100% + 30%; next 5hrs 30% disabling sensor; last 2hrs sensor be activated again till dawn 70% + 30%. 2. Timer control mode: 2hrs 100%, 3hrs 70%, 5hrs 30% and last 2hrs 50%.					
	Lighting modes (40W/50W/60W)	Preset two lighting modes (for ≥2 days use): 1. Timer control + sensor mode: first 3hrs from dusk 100% + 30%; next 2hrs 70% + 30%; next 5hrs 30% disabling sensor; last 2hrs sensor be activated again till dawn 70% + 30%. 2. Timer control mode: 2hrs 100%, 3hrs 60% and last 7hrs 30%.					



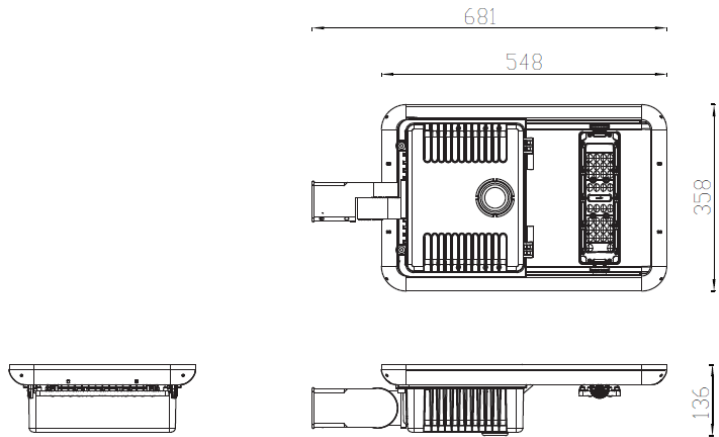
Polar Intensity Diagram



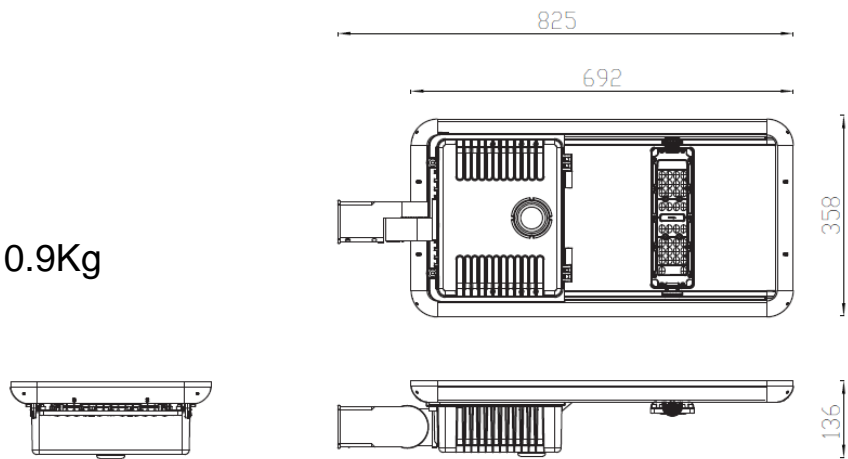


Drawing/Dimensions

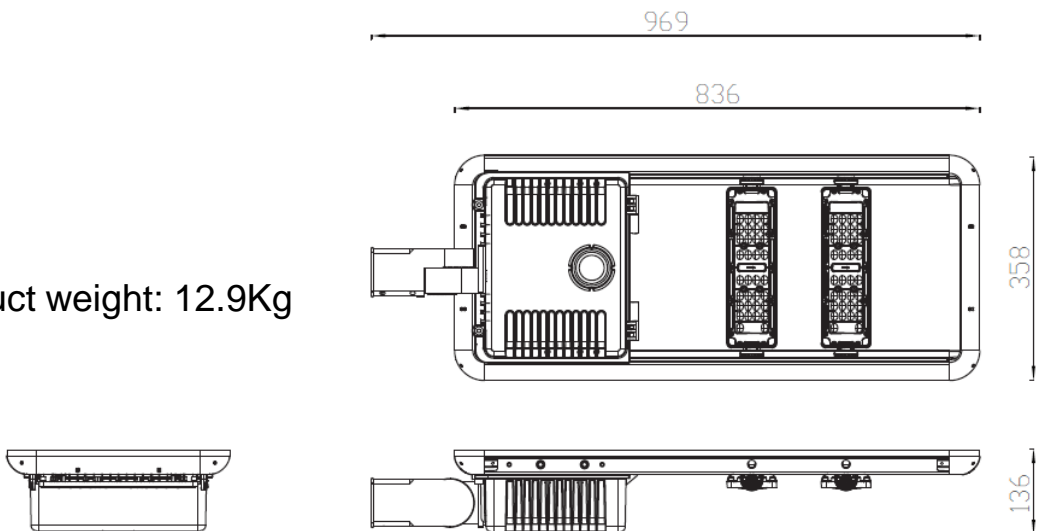
10W
Product weight: 9.5Kg



20W
Product weight: 10.9Kg



30W
Product weight: 12.9Kg

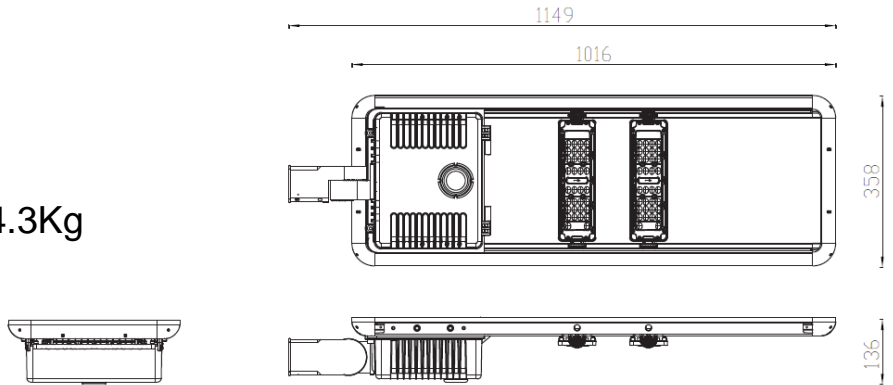




Drawing/Dimensions

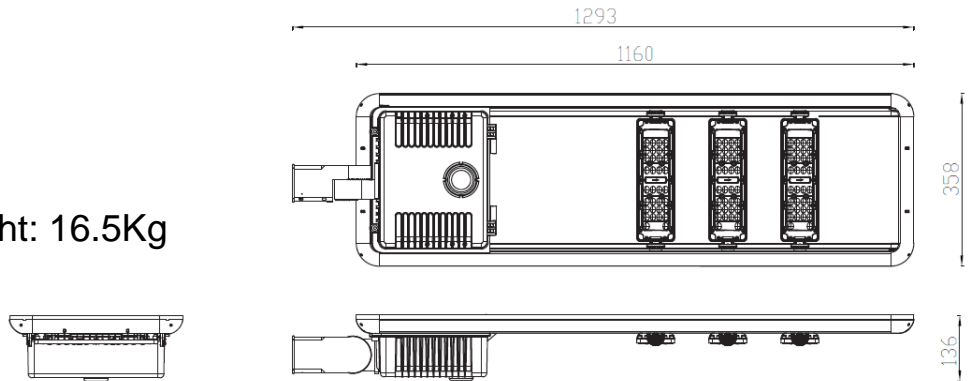
40W

Product weight: 14.3Kg



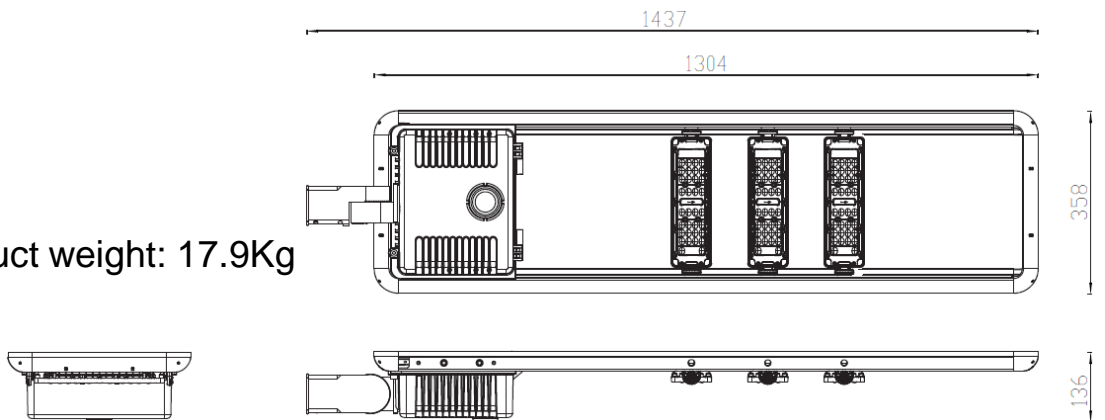
50W

Product weight: 16.5Kg



60W

Product weight: 17.9Kg





Ordering Information

Description	Model number	Shipping quantity	EAN-40
Without sensor version			
LDPFM SOLAR ST 10W 730 VS1 LEDV	P-SOLST-10-730	1	4058075562882
LDPFM SOLAR ST 10W 740 VS1 LEDV	P-SOLST-10-740	1	4058075562912
LDPFM SOLAR ST 10W 765 VS1 LEDV	P-SOLST-10-765	1	4058075562905
LDPFM SOLAR ST 20W 730 VS1 LEDV	P-SOLST-20-730	1	4058075562929
LDPFM SOLAR ST 20W 740 VS1 LEDV	P-SOLST-20-740	1	4058075562936
LDPFM SOLAR ST 20W 765 VS1 LEDV	P-SOLST-20-765	1	4058075562943
LDPFM SOLAR ST 30W 730 VS1 LEDV	P-SOLST-30-730	1	4058075562950
LDPFM SOLAR ST 30W 740 VS1 LEDV	P-SOLST-30-740	1	4058075562967
LDPFM SOLAR ST 30W 765 VS1 LEDV	P-SOLST-30-765	1	4058075562974
LDPFM SOLAR ST 40W 730 VS1 LEDV	P-SOLST-40-730	1	4058075562981
LDPFM SOLAR ST 40W 740 VS1 LEDV	P-SOLST-40-740	1	4058075562998
LDPFM SOLAR ST 40W 765 VS1 LEDV	P-SOLST-40-765	1	4058075563001
LDPFM SOLAR ST 50W 730 VS1 LEDV	P-SOLST-50-730	1	4058075563025
LDPFM SOLAR ST 50W 740 VS1 LEDV	P-SOLST-50-740	1	4058075563032
LDPFM SOLAR ST 50W 765 VS1 LEDV	P-SOLST-50-765	1	4058075563049
LDPFM SOLAR ST 60W 730 VS1 LEDV	P-SOLST-60-730	1	4058075563056
LDPFM SOLAR ST 60W 740 VS1 LEDV	P-SOLST-60-740	1	4058075563063
LDPFM SOLAR ST 60W 765 VS1 LEDV	P-SOLST-60-765	1	4058075563070
With microwave sensor version			
LDPFM SOLAR ST 10W 730 MWS VS1 LEDV	P-SOLST-10-MWS-730	1	4058075563094
LDPFM SOLAR ST 10W 740 MWS VS1 LEDV	P-SOLST-10-MWS-740	1	4058075563100
LDPFM SOLAR ST 10W 765 MWS VS1 LEDV	P-SOLST-10-MWS-765	1	4058075563117
LDPFM SOLAR ST 20W 730 MWS VS1 LEDV	P-SOLST-20-MWS-730	1	4058075563124
LDPFM SOLAR ST 20W 740 MWS VS1 LEDV	P-SOLST-20-MWS-740	1	4058075563131
LDPFM SOLAR ST 20W 765 MWS VS1 LEDV	P-SOLST-20-MWS-765	1	4058075563148
LDPFM SOLAR ST 30W 730 MWS VS1 LEDV	P-SOLST-30-MWS-730	1	4058075563155
LDPFM SOLAR ST 30W 740 MWS VS1 LEDV	P-SOLST-30-MWS-740	1	4058075563162
LDPFM SOLAR ST 30W 765 MWS VS1 LEDV	P-SOLST-30-MWS-765	1	4058075563179
LDPFM SOLAR ST 40W 730 MWS VS1 LEDV	P-SOLST-40-MWS-730	1	4058075563186
LDPFM SOLAR ST 40W 740 MWS VS1 LEDV	P-SOLST-40-MWS-740	1	4058075563193
LDPFM SOLAR ST 40W 765 MWS VS1 LEDV	P-SOLST-40-MWS-765	1	4058075563209
LDPFM SOLAR ST 50W 730 MWS VS1 LEDV	P-SOLST-50-MWS-730	1	4058075563216
LDPFM SOLAR ST 50W 740 MWS VS1 LEDV	P-SOLST-50-MWS-740	1	4058075563223
LDPFM SOLAR ST 50W 765 MWS VS1 LEDV	P-SOLST-50-MWS-765	1	4058075563230
LDPFM SOLAR ST 60W 730 MWS VS1 LEDV	P-SOLST-60-MWS-730	1	4058075563247
LDPFM SOLAR ST 60W 740 MWS VS1 LEDV	P-SOLST-60-MWS-740	1	4058075563254
LDPFM SOLAR ST 60W 765 MWS VS1 LEDV	P-SOLST-60-MWS-765	1	4058075563261

Remarks: LDPFM - LED Performance, SOLST - Solar Streetlight, MWS - Microwave sensor