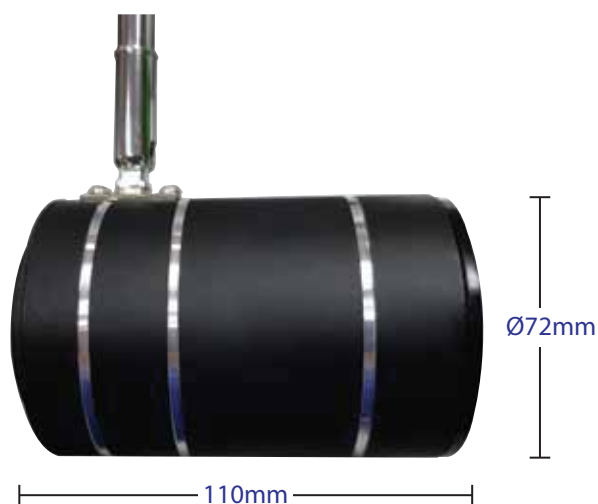


LED SURFACE LIGHT / TRACK LIGHT

7W



COB

Model :	TR-7001 LED TRACK LIGHT / SR-7001 LED SURFACE LIGHT
Power :	7W
Size :	Ø72*110mm (Light) / 270mm (Height)
Colour Temperature :	3000K / 6000K
Bod Fitting :	White / Black
Input Voltage :	175-265V