

### VEL 330/S

### VEL 330/ST



#### Specifications :

Mild Steel Housing  
Polycarbonate Opal Linear Diffuser

#### Test Standard :

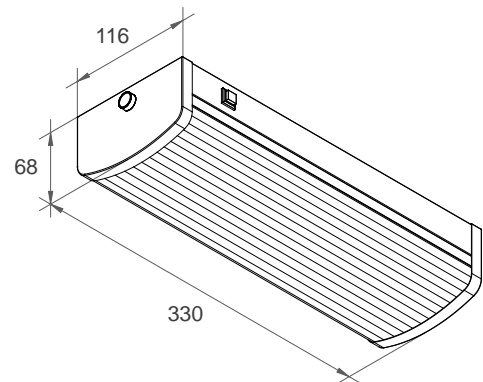
MS 619-2-22:2005  
MS IEC 60598-1:2012

#### Mounting Method :

Surface Ceiling / Wall

#### Certified by :

SIRIM QAS INTERNATIONAL SDN. BHD.  
JABATAN BOMBA DAN PENYELAMAT MALAYSIA



Mains Supply	220 – 240V 50/60Hz	Rating	VEL 330/S	< 0.03A / < 1.2W / 0.32 PF	
			VEL 330/ST	0.005A / 1.2W / 0.91 PF	
Mode of Operation	Non-Maintained	Rated Lumen		75lm	
Lamp	LED 2835 (20 PCS)	Classification / Degree of Protection		Class 1 / IP 20	
Battery	VEL 330/S	Ni-Cd AA 3.6V 1000mAh	Max. Operating Temperature (ta)		35°C
	VEL 330/ST	Ni-Cd AA 3.6V 900mAh			
Emergency Duration	3 Hours	Recommended Mounting Height		Min. 3m	
Recharge Period	24 Hours	Weight		0.72 KG	

Packing : 15 sets per carton box  
Outer carton box : L442 X W384 X H367 mm ( 13.10 kg )  
Inner carton box : L346 X W122 X H83 mm ( 0.81 kg )