

Legend	Model
	<b>VES 298/PC/E</b> <i>(Single Sided View)</i>
 	<b>VES 298/PC/ELRA</b> <i>(Double Sided View)</i>
	<b>VES 298/PC/RM</b> <i>(Single Sided View)</i>
 	<b>VES 298/PC/RMLRA</b> <i>(Double Sided View)</i>



### Optional Mounting Bracket :



### Specifications :

Polycarbonate Housing  
Mild Steel Recessed Frame  
Polycarbonate Diffuser

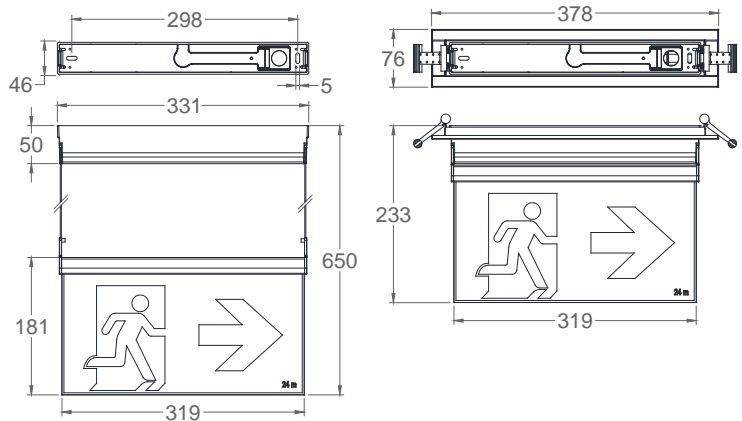
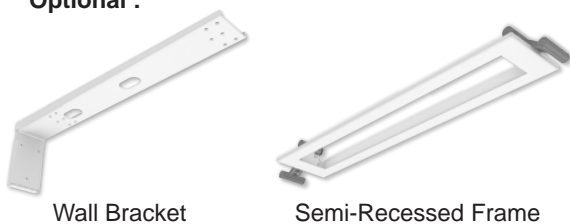
### Test According to :

SS 563  
SS IEC 60598-2-22

### Mounting Method :

Ceiling / Wall / Suspension Mounted  
Recessed Plaster Ceiling  
(Cut Out Size L360mm x W52mm)

### Optional :



Mains Supply	220 – 240V 50/60Hz	Rating	0.01A / 3.0W / 0.95 PF
Mode of Operation	Maintained	Classification	Class II
Lamp	LED 2835 (17 PCS)	Degree of Protection	IP 20
Battery	Ni-Cd AA 3.6V 900mAh	Max. Operating Temperature (ta)	40°C
Emergency Duration	2 Hours	Recommended Mounting Height	Min. 2.3m
Recharge Period	24 Hours	Weight	0.73 KG

