

Legend	Model
	VES 335/STS/E (Single Sided View)
 	VES 335/STS/ELRA (Double Sided View)
	VES 335/STS/RM (Single Sided View)
 	VES 335/STS/RMLRA (Double Sided View)



Specifications :

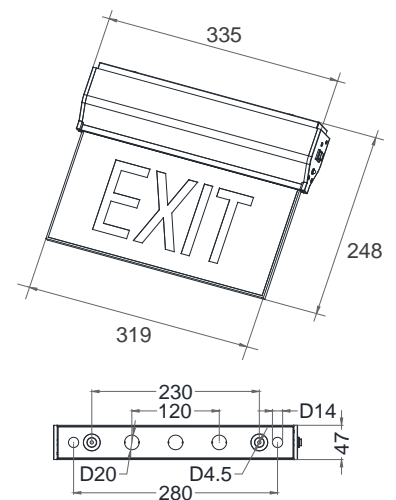
Aluminium Extruded Housing
Mild Steel Mounting Base
Polycarbonate Diffuser

Test According to :

SS 563
SS IEC 60598-2-22

Mounting Method :

Ceiling / Wall Mounted



Mains Supply	220 – 240V 50/60Hz	Rating	0.01A / 3.0W / 0.96 PF
Mode of Operation	Maintained	Classification	Class 1
Lamp	LED 2835 (17 PCS)	Degree of Protection	IP 20
Battery	Ni-Cd AA 3.6V 900mAh	Max. Operating Temperature (ta)	40°C
Emergency Duration	2 Hours	Recommended Mounting Height	Min. 2.3m
Recharge Period	24 Hours	Weight	1.16 KG

Packing : 10 sets per carton box
Outer Carton box : L538 X W462 X H429 mm (15.20 kg)
Inner Carton box : L408 X W260 X H88 mm (1.36 kg)

We reserve the rights to alternate the specification of its product at any time without prior notice.
Pictures shown are for illustration purpose only.