

Legend	Model
	VES 335/STSR/E <i>(Single Sided View)</i>
 	VES 335/STSR/ELRA <i>(Double Sided View)</i>
	VES 335/STSR/RM <i>(Single Sided View)</i>
 	VES 335/STSR/RMLRA <i>(Double Sided View)</i>



Specifications :

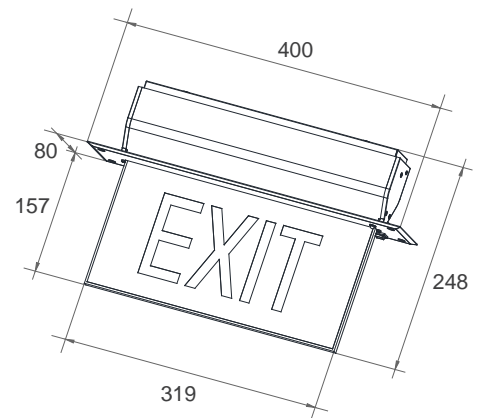
Aluminium Extruded Housing
Mild Steel Mounting Base
Polycarbonate Diffuser

Test According to :

SS 563
SS IEC 60598-2-22

Mounting Method :

Recessed Plaster Ceiling
(Cut Out Size L350mm x W60mm)



Mains Supply	220 – 240V 50/60Hz	Rating	0.01A / 3.0W / 0.96 PF
Mode of Operation	Maintained	Classification	Class 1
Lamp	LED 2835 (17 PCS)	Degree of Protection	IP 20
Battery	Ni-Cd AA 3.6V 900mAh	Max. Operating Temperature (ta)	40°C
Emergency Duration	2 Hours	Recommended Mounting Height	Min. 2.3m
Recharge Period	24 Hours	Weight	1.35 KG

Packing : 10 sets per carton box
Outer carton box : L538 X W462 X H429 mm (17.00 kg)
Inner carton box : L408 X W260 X H88 mm (1.54 kg)