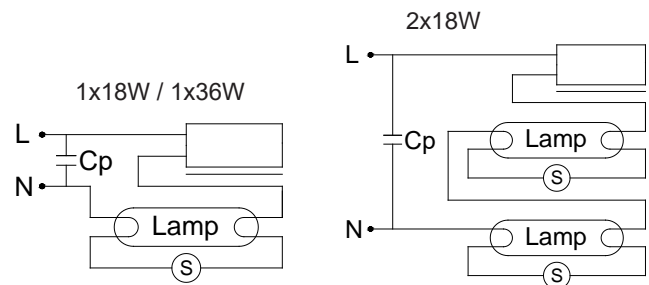




Circuit Diagram



Approval Marks:



Input Voltage :

AC 240V, 50Hz

Specification :

Max Operating Temperature t_w 130°C

Terminal Block :

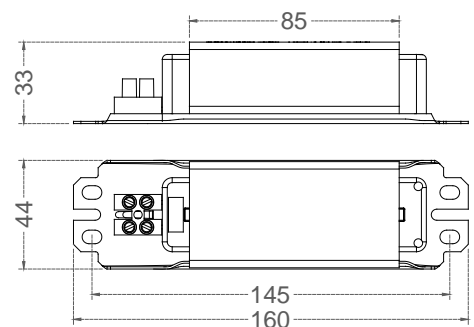
Screw Type (Max Conductor Size 2.5mm²)
Push-In Type (Terminal For Leads: 0.5mm² - 2.5mm²)

Test Standard :

MS IEC 61347-2-8 : 2014
MS IEC 61347-1 : 2012
MS IEC 60921 : 2013
MS 141 : 2014

Certified by :

SIRIM QAS INTERNATIONAL SDN. BHD.
SURUHANJAYA TENAGA
JABATAN KERJA RAYA MALAYSIA



LAMP	BALLAST						CAPACITOR	
	Output (W)	Model	Current (A)	PF (λ)	Loss (W)	Δt / t _w	Weight (Kg)	C _p (μF)
18	ELL 20	0.35	0.30	6	35 / 130	0.89	4.5	0.12
36	ELL 40	0.40	0.44	6	35 / 130	0.89	4.5	0.18

Packed in carton.

ELL 20 20 Pcs 18.0 kg 224 X 166 X 152 mm
ELL 40 20 Pcs 18.0 kg 224 X 166 X 152 mm

We reserve the rights to alternate the specification of its product at any time without prior notice.
Pictures shown are for illustration purpose only.