

### VECK 1436



#### Approval Marks:



#### Specifications :

Aluminium Casing  
Push-In Connector

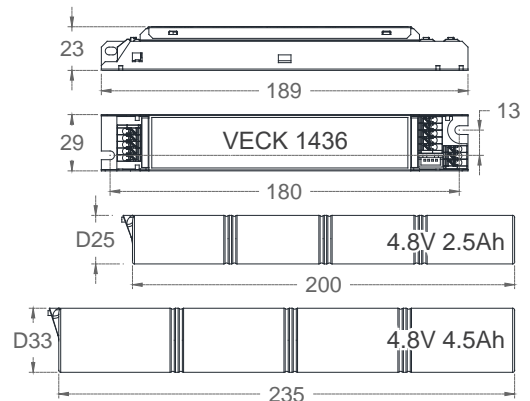
#### Test Standard :

IEC 61347-1, IEC 61347-2-7  
AS 2293.1-2005, AS 2293.3-2005

#### Usage Application :

T5 (14W - 28W)  
T8 (18W - 36W)  
CFL 4 Pin (13W - 26W)

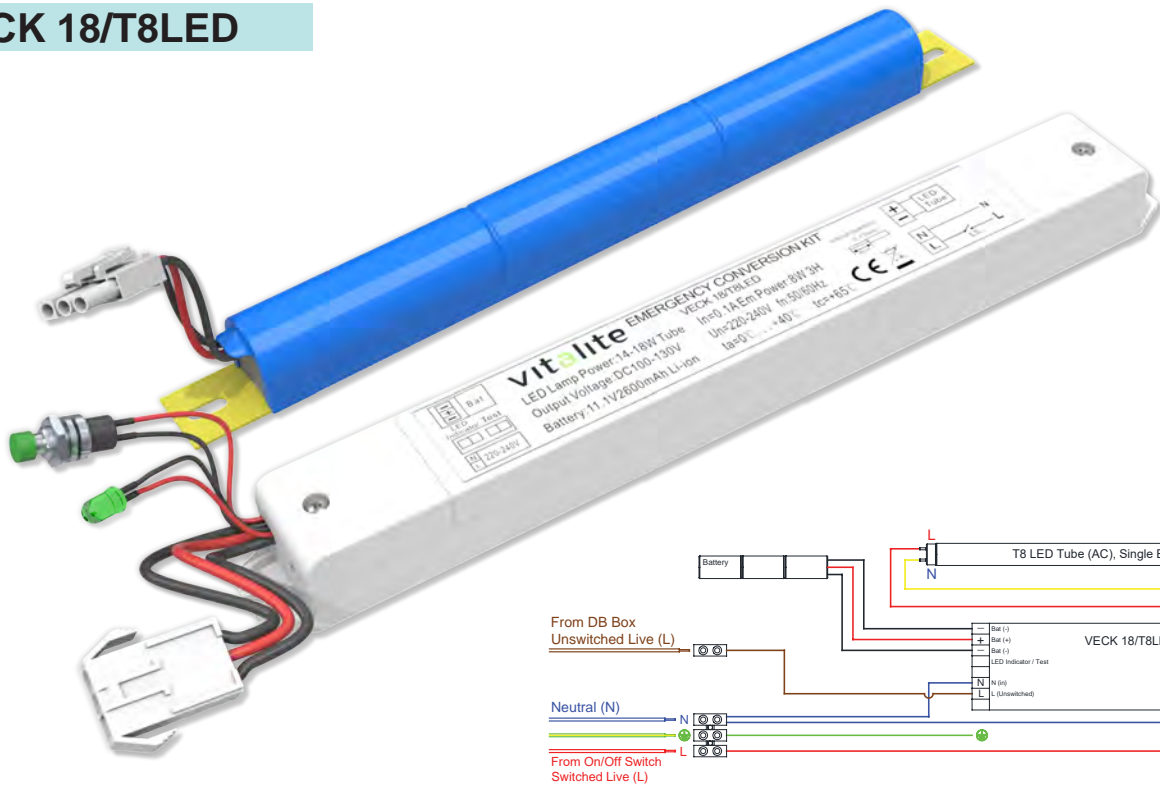
#### Wiring Diagram :



Mains Supply	220 – 240V 50/60Hz	Power Consumption	< 7W
Mode of Operation	Maintained / Non-Maintained	Classification	Class 1
Lamp Type	T5 (14W - 28W) T8 (18W - 36W) CFL 4 Pin (13W - 26W)	Degree of Protection	IP 20
Battery	Ni-Cd C 4.8V 2.5Ah Ni-Cd D 4.8V 4.5Ah	Max. Operating Temperature (ta)	45°C
Emergency Duration	2 Hours (4.8V 2.5Ah) 3 Hours (4.8V 4.5Ah)	Max. Casing Temperature (tc)	70°C
Recharge Period	24 Hours	Weight	0.14 KG

Packing : 20 pieces per box  
Carton box : L188 X W28 X H22 mm  
Weight : 2.90 kg

### VECK 18/T8LED



#### Specifications :

Polycarbonate  
Casing

#### Usage Application :

T8 LED Tube

#### TOSHIBA T8 LED Tube

2ft 8W (PRO) / 9W  
4ft 14W (PRO) / 18W

#### PHILIPS T8 LED Tube

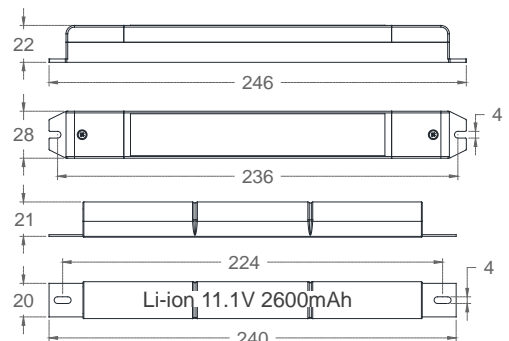
Ecofit 8W / 16W / 18W  
Essential 8W / 14.5W  
16W / 18W  
Master 8W / 14W

#### Test According to :

IEC 61347-2-7  
IEC 61347-2-13

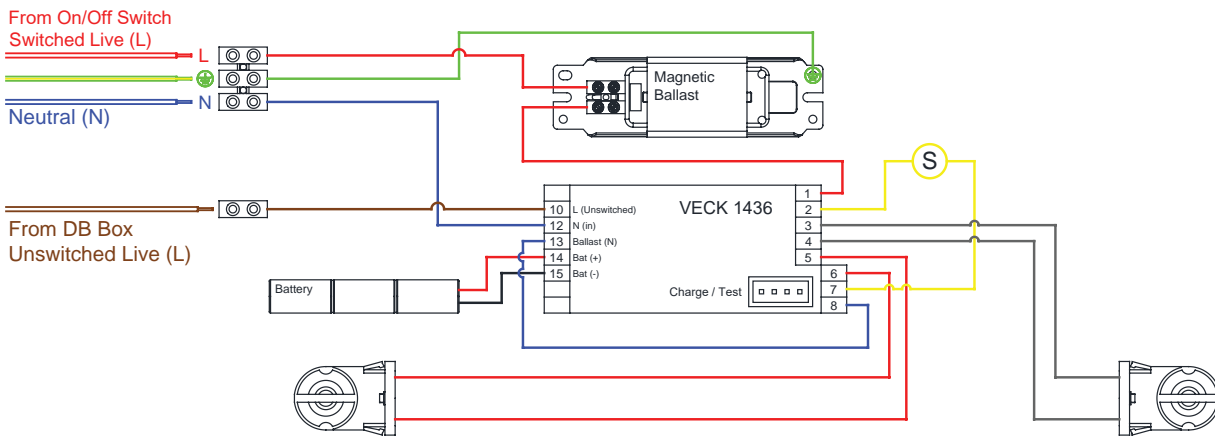
#### OSRAM T8 LED Tube

ST8A 7.3W (1100lm)  
14W (2100lm)  
22W (2800lm)  
ST8V & 8.7W (1050lm)  
ST8A 17.5W (2100lm)  
  
ST8E 9W (900lm)  
18W (1800lm)

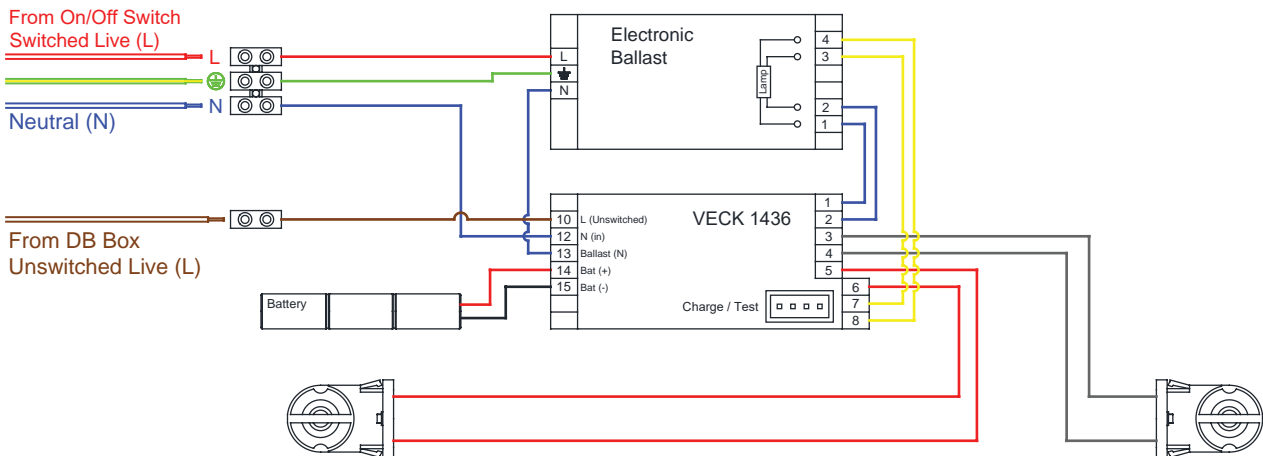


Mains Supply	220 – 240V 50/60Hz	Emergency Output Power	Max. 8W
Mode of Operation	Maintained / Non-Maintained	In / Output Voltage	0.1A / 100 - 130Vdc
Lamp Type T8 LED Tube	8W - 22W	Degree of Protection	IP 20
Battery	Li-ion 11.1V 2000mAh (2Hrs) Li-ion 11.1V 2600mAh (3Hrs)	Max. tc Kit Max. tc Battery	60°C 50°C
Emergency Duration	2 / 3 Hours	Classification	Class II
Recharge Period	24 Hours	Weight	0.286 KG (2 Hrs) 0.298 KG (3 Hrs)

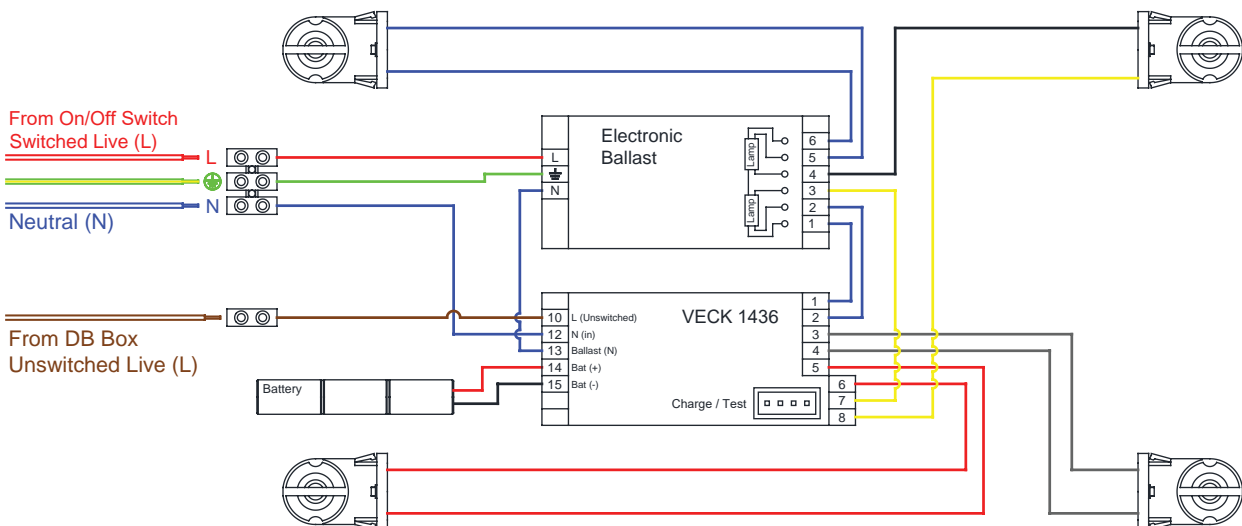
### VECK 1436 used Conventional Ballast For T8 Fluorescent Lamp



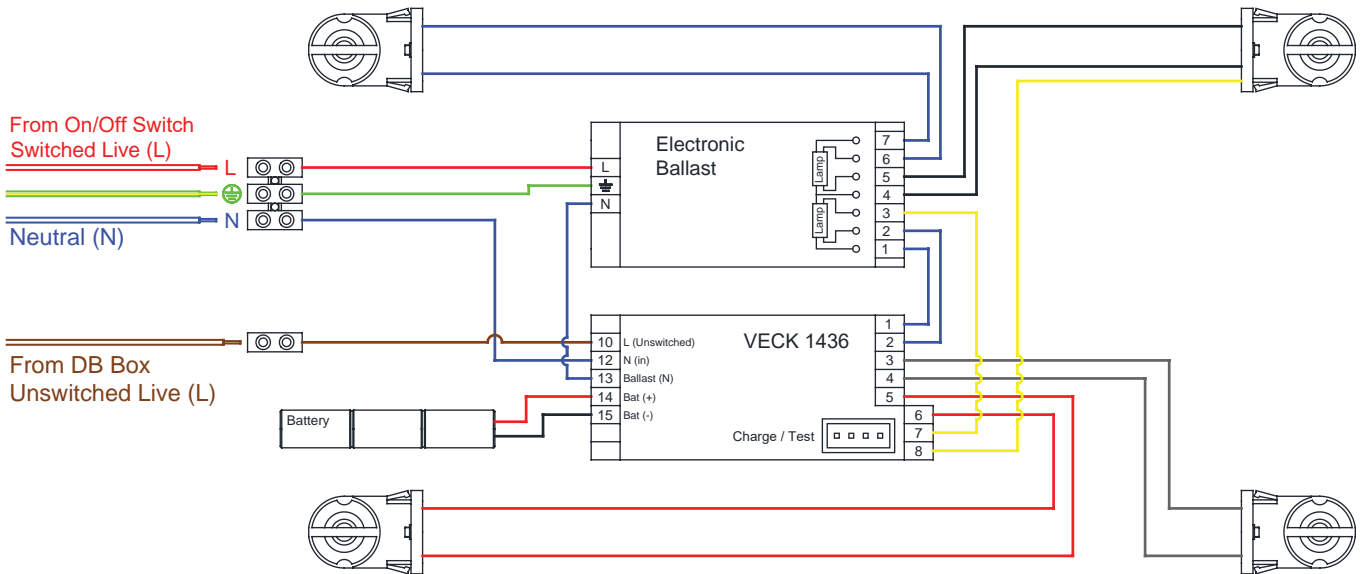
### VECK 1436 used with Single Lamp Electronic Ballast For T5 / T8 Fluorescent Lamp



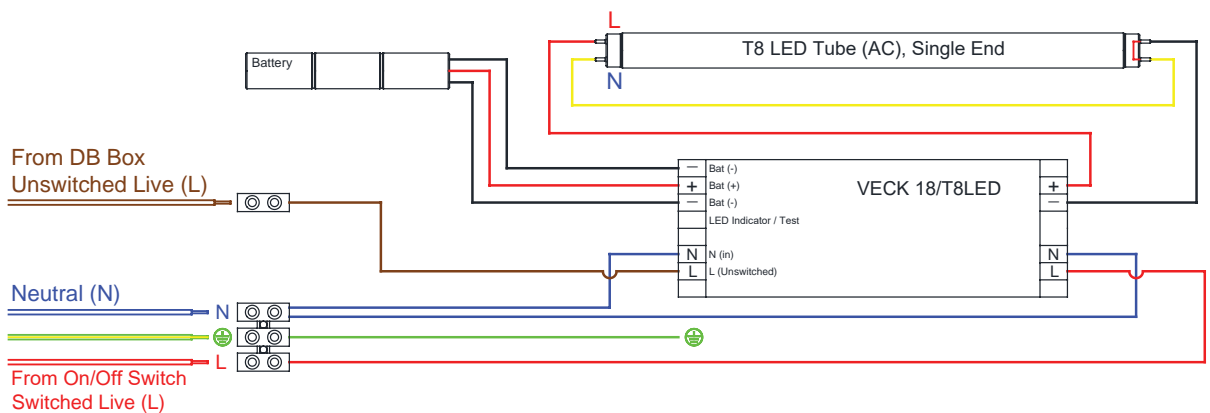
### VECK 1436 used with Double Lamp 6 Output with Series Filament Connection Electronic Ballast For T5 / T8 Fluorescent Lamp



### VECK 1436 used with Double Lamp 7 Output with Series Filament Connection Electronic Ballast For T5 / T8 Fluorescent Lamp



### VECK 18/T8LED used T8 LED Tube (AC) Single End Type, TOSHIBA / OSRAM / PHILIPS



### VECK 18/T8LED used T8 LED Tube (AC) Double End Type, Most CHINA Brand

