

VECK 36 LED



SELV

Usage Application :

- Standby Power for LED Lighting
- 3 Hours Duration in Event of Power Failure

Compatible With VITALITE VLD Driver :

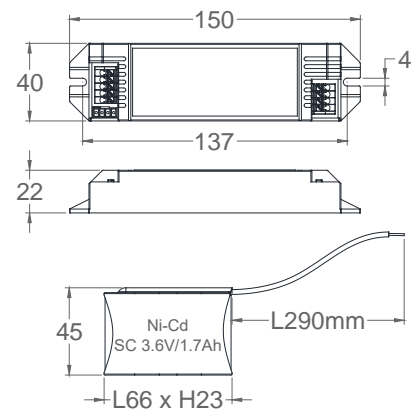
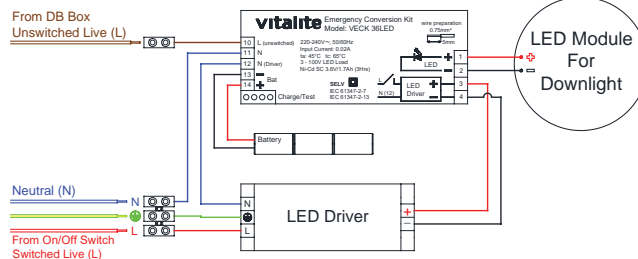
- VLD 10/250/40
- VLD 15/350/43
- VLD 25/500/50
- VLD 35/700/50

Specifications :

Polycarbonate
Casing

Test According to :

IEC 61347-2-7
IEC 61347-2-13



Mains Supply	220 - 240V~ 50/60Hz	Power Consumption	< 2.5W
Mode of Operation	Maintained / Non-Maintained	Input Current	0.02A
Lamp Type	3 - 100V LED Load	Degree of Protection	IP 20
Battery	Ni-Cd SC 3.6V / 1.7Ah	Max. Temperature t_a / t_c	45°C / 65°C
Emergency Duration	3 Hours	Classification	Class II
Recharge Period	24 Hours	Weight	0.232 KG

VECK 31 LED



Usage Application :

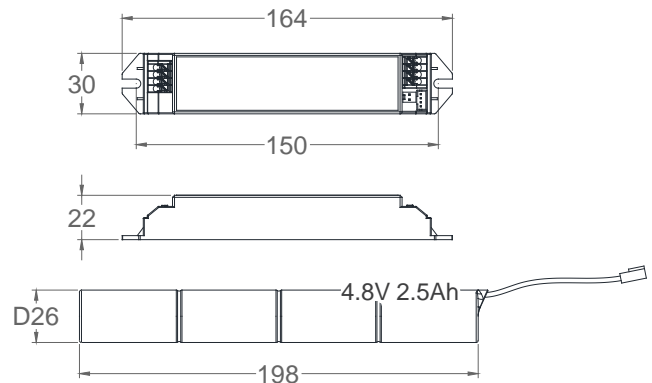
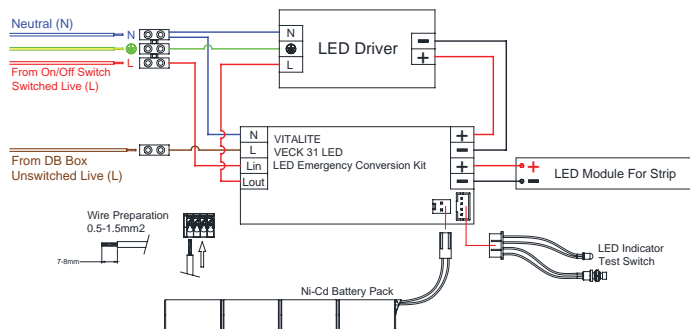
- Standby Power for LED Lighting
- 2 Hours Duration in Event of Power Failure

Test Standard :

- SS 563 (Respective Clauses)
- IEC 61347-1
- IEC 61347-2-7
- IEC 62384

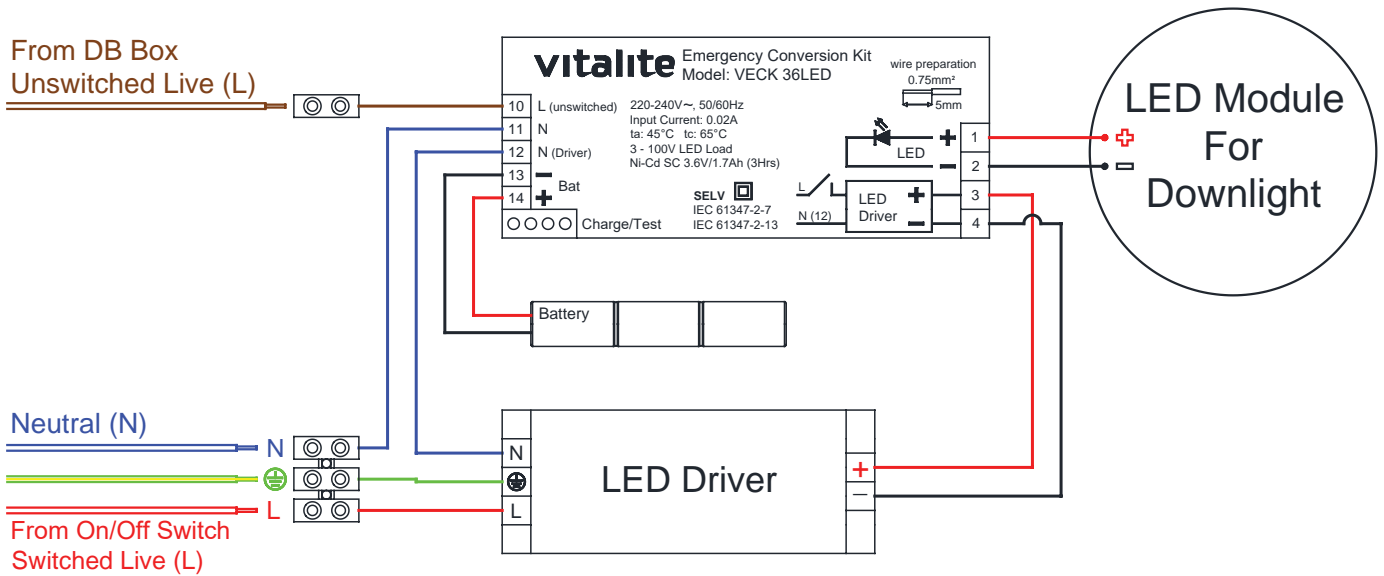
Specifications :

Polycarbonate
Casing



Input Voltage (AC)	220 - 240V~ 50/60Hz	Output (Voltage Range)	DC 16.5 - 44V
Mode of Operation	Maintained / Non-Maintained	Output Constant Power	3W
Lamp Type	LED Module	Emergency Duration	2 Hours
Battery Pack	Ni-Cd C 4.8V / 2500 mAh HT	Recharge Period	24 Hours
Test Facility	Push Button Switch	ta	50°C
Charge Monitor	LED (Green)	tc	70°C

VECK 36 LED Wiring Diagram



VECK 31 LED Wiring Diagram

