

# LED PERFORMANCE TRI CCT HIGHBAY



## Highlights:

- 3 selectable CCT
- 3 selectable power
- IP65 & IK08 protection
- Long 50,000hrs lifetime

## Application Areas:

- Warehouse
- Factory
- Logistic
- Other Public area

## Advancing Light

One of the World's leaders in general lighting for lighting professionals as well as end users, offering



A broad variety of LED luminaires



Advanced LED lamps



Intelligent, networked Smart Home & Smart Building solutions



Traditional light sources

# LED PERFORMANCE TRI CCT HIGHBAY

---



## Product features:

- 100-277V AC input
- Selectable CCT 6500K, 5000K & 4000K
- Selectable 200W/150W/125W in 200W
- Selectable 100W/80W/60W in 100W
- High color rendering: CRI  $\geq$  80
- High power factor: PF  $\geq$  0.90
- Up to 150lm/w 50,000hrs lifespan @35°C
- IP65 & IK08 protected
- Pre-wired with 1.5m cable
- Safety compliance : CB EMC RoHS 2.0

## Product benefits:

- Reducing 90% stock thanks to selectable CCT and selectable power
- Energy saving thanks to 150lm/w system efficacy
- Die-cast housing and UV resistant PC lens offer durable service
- Long 50,000hrs lifetime reduces maintenance costs



## Application Areas:

- Warehouse
- Factory
- Logistic center
- Other public area

# Product Information

LED PERFORMANCE TRI HIGHBAY				
Electrical Data	Description	LDP HB TRI 125/150/200W VS1 EN LEDV		
	Voltage range	100 - 277VAC		
	Dimming type	1-10V		
	Power factor	≥0.9		
	Line frequency	50/60Hz		
	Surge Protection	L-N≥ 4000V, LN-G≥6000V		
	THD	≤ 20 %@100-277V; ≤10%@230V		
	Protection class	Class I		
	Optional Wattage (W)	200W	150W	125W
Photometric	Rated lumens	28000lm	22500lm	19000lm
	CCT (K)	4000K&5000K&6500K in one fixture		
	Beam angle	90°		
	CRI	≥80		
	SDCM	< 5@6000K&4000K; < 7@5000K		
	Efficacy	140-152lm/W		
Operation	LED	SMD 2835		
	Rated lifetime	50,000hrs @ L80 (Ta=35°C),		
	Operating temperature	-30 ~ +50°C		
Housing	Storage temperature	-40 ~ +70°C		
	Housing	Diecast Aluminum		
	Diffuser	PC lens		
	IP/IK grade	IP65 / IK08		
	Power cord	1.5m		

# Product Information

LED PERFORMANCE TRI HIGHBAY				
Electrical Data	Description	LDP HB TRI 60/80/100W VS1 EN LEDV		
	Voltage range	100 - 277VAC		
	Dimming type	1-10V		
	Power factor	≥0.9		
	Line frequency	50/60Hz		
	Surge Protection	L-N≥ 4000V, LN-G≥6000V		
	THD	≤ 20 %@100-277V; ≤10%@230V		
	Protection class	Class I		
	Optional Wattage (W)	100W	80W	60W
Photometric	Rated lumens	14000lm	11500lm	9000lm
	CCT (K)	4000K&5000K&6500K in one fixture		
	Beam angle	90°		
	CRI	≥80		
	SDCM	< 5@6000K &4000K < 7@5000K		
	Efficacy	140-150lm/W		
	LED	SMD 2835		
Operation	Rated lifetime	50,000hrs @ L80 (Ta=35°C),		
	Operating temperature	-30 ~ +50°C		
	Storage temperature	-40 ~ +70°C		
Housing	Housing	Diecast Aluminum		
	Diffuser	PC lens		
	IP/IK grade	IP65 /IK08		
	Power cord	1.5m		

# Product Information

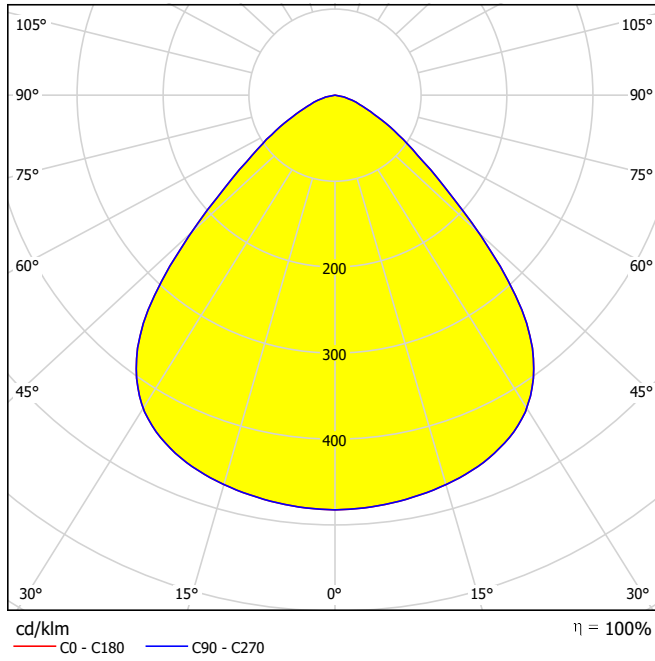
SENSOR & REMOTE CONTROLLER					
Sensor	Wattage (W)	<0.5w			
	Microwave power(W)	<0.5mW			
	Voltage range	12VDC			
	Microwave frequency	Microwave 5.8GHz			
	Sensitivity	20%	50%	75%	100%
	Daylight threshold	10lux	30lux	50lux	100lux
	Hold time	10s	1min	10min	30min
	Stand-by dim	10%	15%	20%	30%
	Stand-by time	1min	30mins	60min	+∞
	Mounting height	6-15m			
	Operate temperature	-30~+50°C			
Color	White				
Remote control	Powered by	2AAA battery(Not included in package)			
	Technology	Infrared			
	Color	Black			
	On-off ↔ Sensor	Long Press Key "ON/OFF"			
	Power adjustment	100%/80%/60%/40%			
	Control distance	15m			
	Hold time	The period of light keeping 100% brightness after moving objects are no longer detected			
	Stand-by dim	The dimming level in the standby period.			
	Stand-by time	The period of light keeping low output before it's turn off. When set as"+∞", the light always keep at low output and never shut down even no movement in the detection area			
	Daylight	Definition of the ambient brightness; Only when the ambient brightness is lower than the preset specific lux amount, the sensor will work; "Disable", the sensor work as any brightness			
	Sensitivity	Movement will be detected in the area and able to trigger the sensor. 100% detection area is also known as the strong sensitivity.			

## Notice

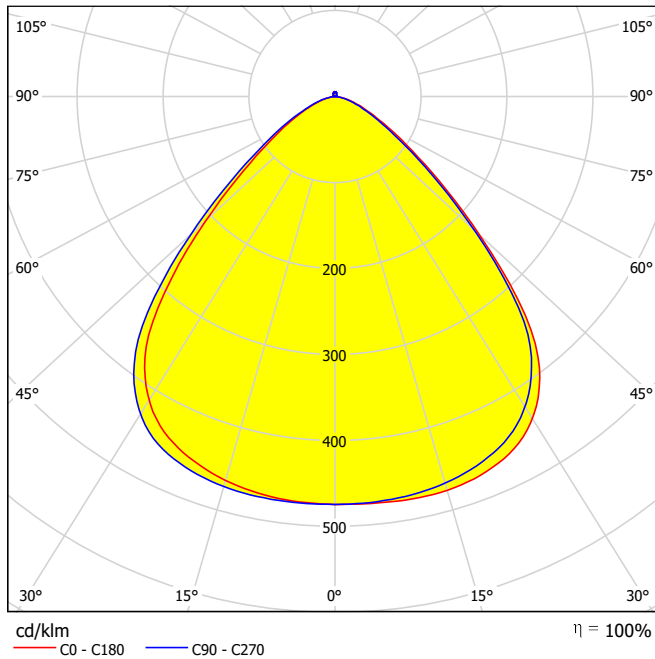
- Remote controller could change one sensor's setting in one time.

# Polar Intensity Diagram

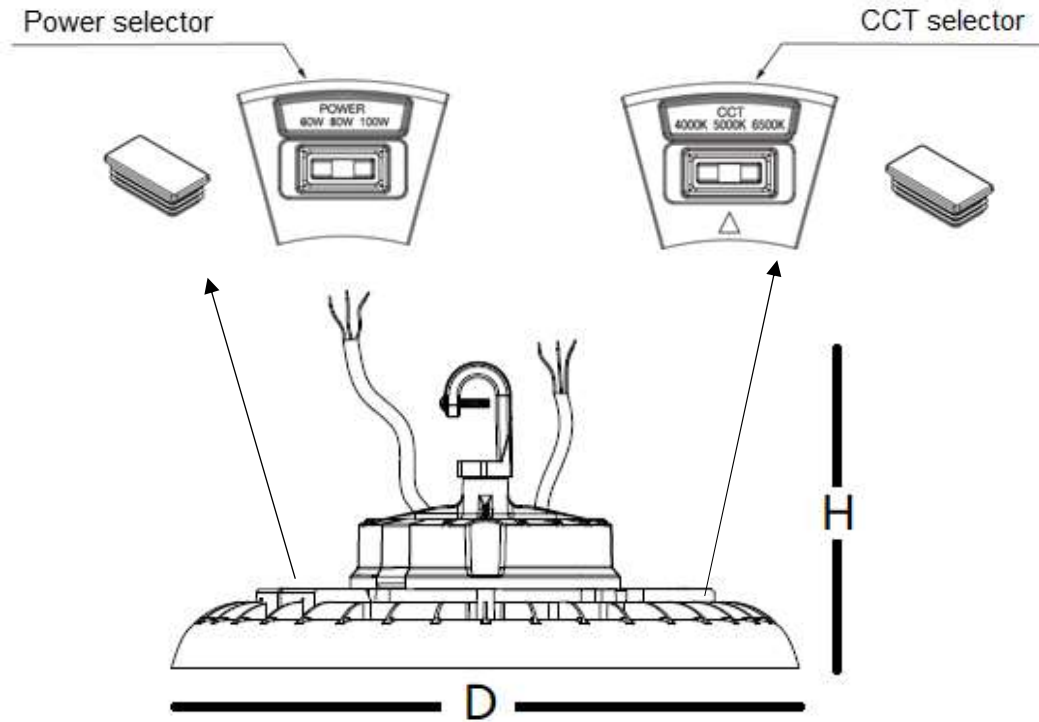
LDP HB TRI 60/80/100W VS1 EN LEDV



LDP HB TRI 125/150/200W VS1 EN LEDV



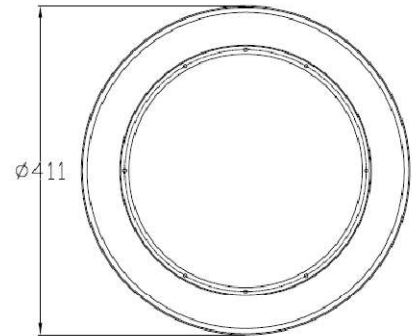
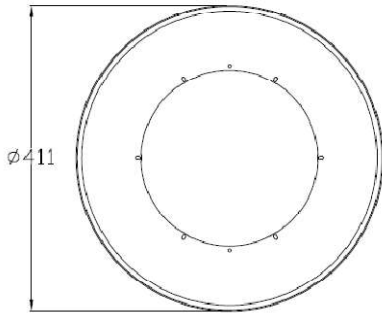
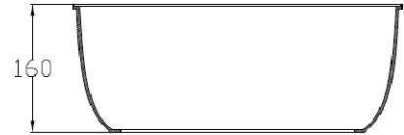
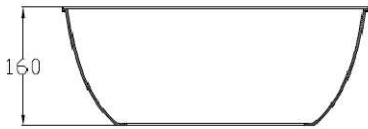
# Drawing/Dimensions



Description	D(mm)	H(mm)	Net Weight(g)
LDP HB TRI 125/150/200W VS1 EN LEDV	280	166	3100
LDP HB TRI 60/80/100W VS1 EN LEDV	340	166	2200

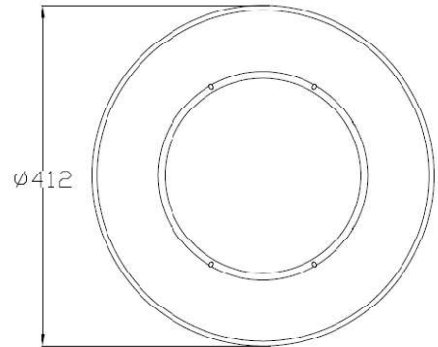
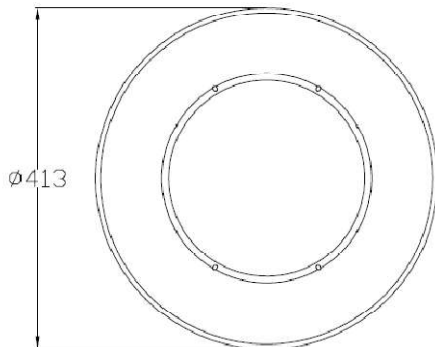
# Drawing/Dimensions

Unit: mm



LDP HB TRI PC REFLECTOR 100W  
VS10 LEDV

LDP HB TRI PC REFLECTOR 200W  
VS10 LEDV



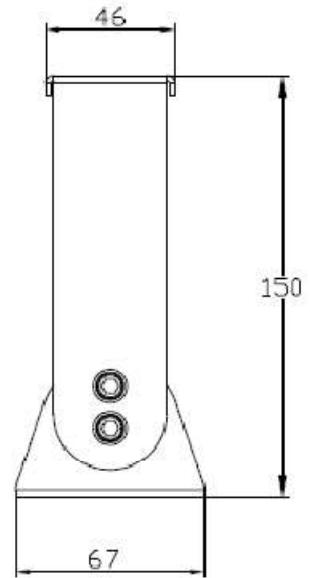
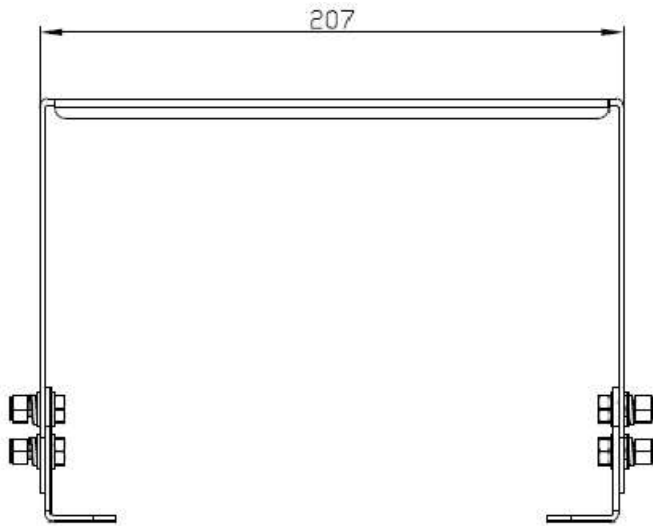
LDP HB TRI AL REFLECTOR 100W  
VS10 LEDV

LDP HB TRI AL REFLECTOR 200W  
VS10 LEDV

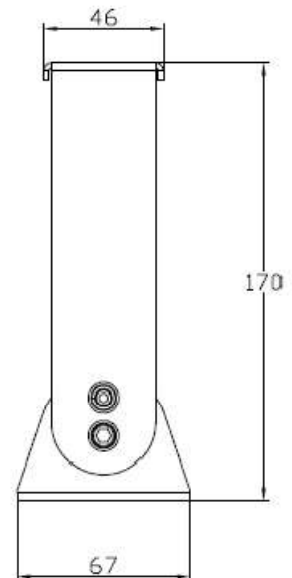
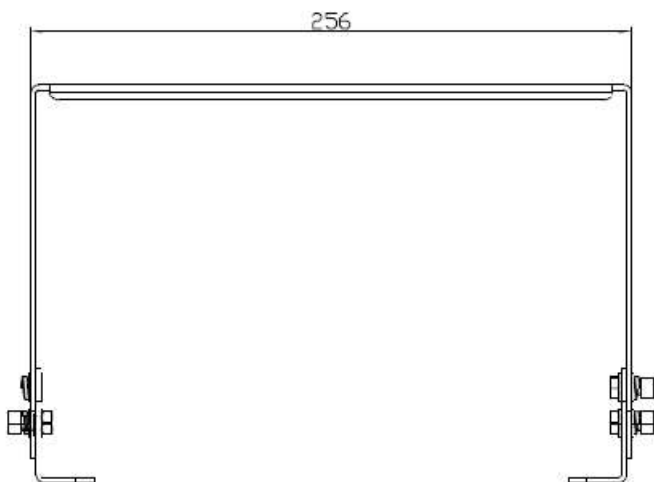


# Drawing/Dimensions

Unit: mm



LDP HB TRI BRACKET 100W 20X1 LEDV



LDP HB TRI BRACKET 100W 20X1 LEDV

## Ordering Information

### Luminaire

Description	Model Name	Shipping Quantity	EAN40
LDP HB TRI 125/150/200W VS1 EN LEDV	P-HB-TRI-125/150/200W-WV	1	4099854115639
LDP HB TRI 60/80/100W VS1 EN LEDV	P-HB-TRI-60/80/100W-WV	1	4099854115646

### Accessory

Description	Product Name	EAN10	Shipping Quantity	EAN40
LDP HB TRI PC REFLECTOR 200W VS10 LEDV	200W PC reflector	4099854117916	10	4099854117923
LDP HB TRI PC REFLECTOR 100W VS10 LEDV	100W PC reflector	4099854117978	10	4099854117985
LDP HB TRI ALU REFLECTOR 200W VS10 LEDV	200W aluminum reflector	4099854118135	10	4099854118142
LDP HB TRI ALU REFLECTOR 100W VS10 LEDV	100W aluminum reflector	4099854118173	10	4099854118180
LDP HB TRI SENSOR 50X1 LEDV	Sensor	4099854118197	50	4099854118203
LDP HB TRI REMOTE 50X1 LEDV	Remote controller	4099854118234	50	4099854118241
LDP HB TRI BRACKET 200W 20X1 LEDV	200w bracket	4099854118258	20	4099854118265
LDP HB TRI BRACKET 100W 20X1 LEDV	100w bracket	4099854118272	20	4099854118289



PC reflector



Aluminum reflector



Surface mount bracket



Sensor



Remote controller