

# CEILING EXHAUST FAN



## CFP-300

### 12" Ceiling Exhaust Fan



#### Application



Vol. / Freq      220-240V/50-60Hz  
Power            36W

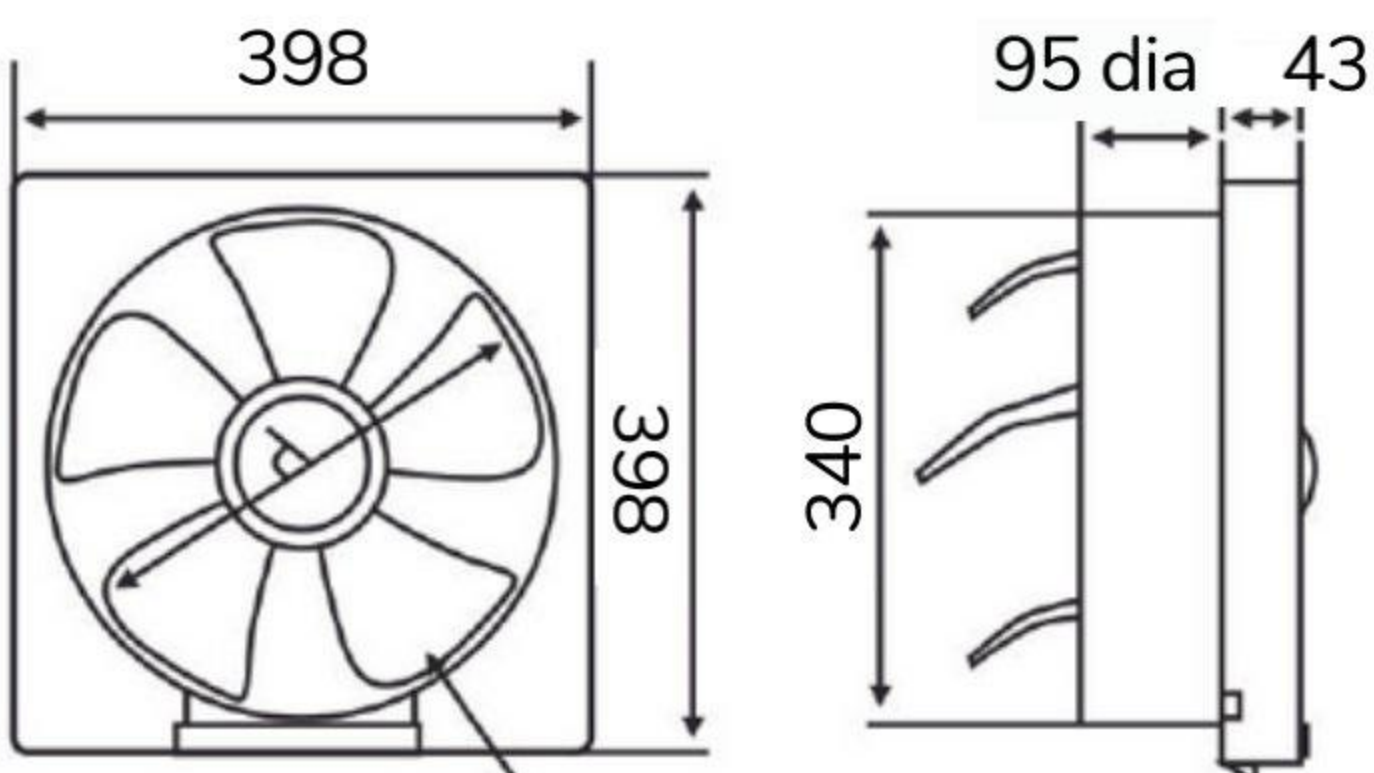
Packaging Size      72\*42.6\*36.8  
Cut-Out Size        20-25m<sup>2</sup>  
Qty Per Ctn         4

## WORLD CLASS FEATURES

- Powerful Performance [High air delivery]
- Synergetic Aesthetics [Available in a range of designer shades]
- Rust-free Fan [Made of special grade plastic]
- Great value for money [Unparalleled cost v/s value in it's class]
- Ideal for kitchens and bathrooms



### Product Size



Fans are the perfect accessories to enhance your interiors and complement your lifestyle.

- ✓ Elegant Design
- ✓ Modern Technology
- ✓ High Pressure & Low Noise
- ✓ Silicon Steel Motor
- ✓ 100% Pure Cooper Winding