

LED STEP LIGHT

EB-SP-85(R)



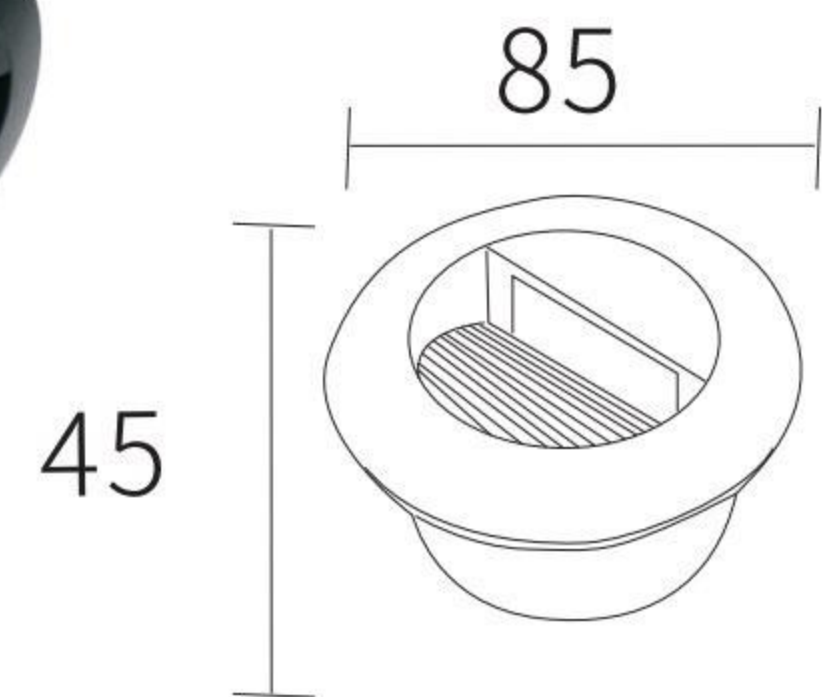
Dustproof



Rainproof



Anti-mosquito



Watt

2W

Input Voltage:

AC85-265V

Max Luminaire Efficiency:

≥ 75Lm/w(±5%)

CCT:

3000K

CRI:

≥ 75(±2)

LED Chip QTY

Epistar SMD/10pcs

Body Dimension(mm):

Φ86*86*H45

IP Rating:

Ip66

Body Colour:

Black/White/Grey

Material:

Aluminium

Lifespan:

30000Hrs

Ambient Temperature:

- 25°C ~ +55 °C

Product Overview

Application:

Steps, wall, aisle, etc...

