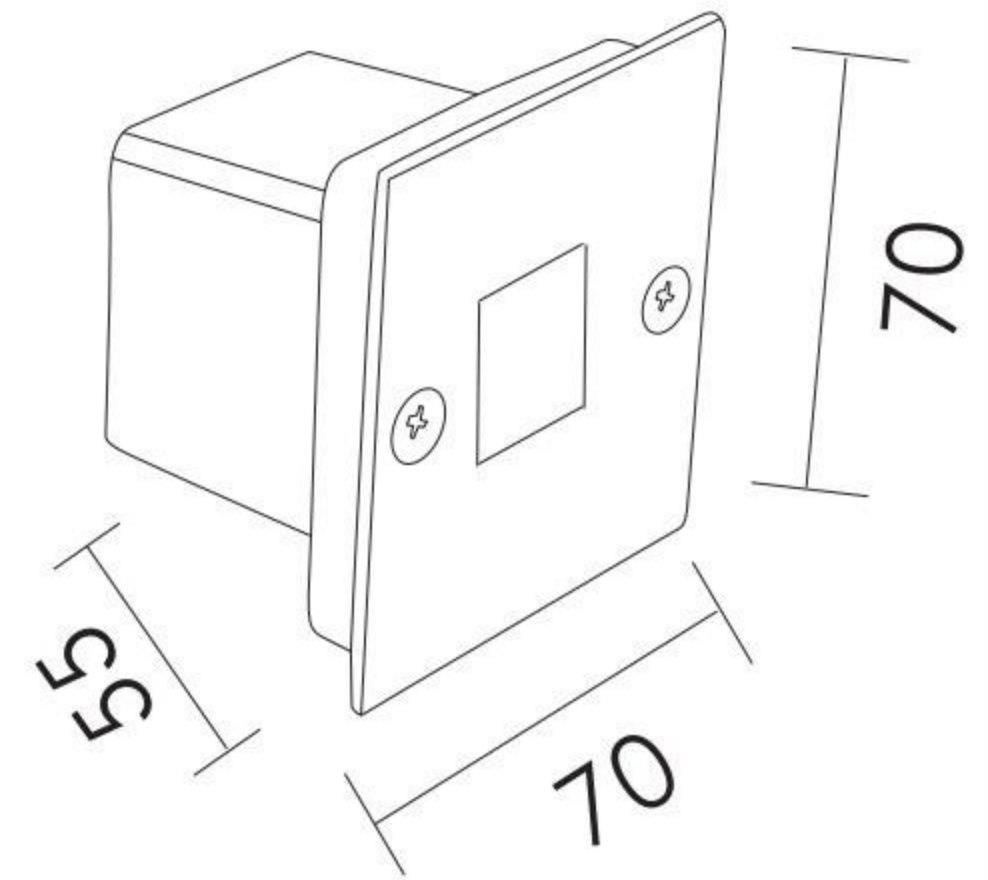


LED STEP LIGHT

**EB-SP-70**



Dustproof



Rainproof



Anti-mosquito

**Watt**

**1W**

Input Voltage:  
Max Luminaire Efficiency:  
CCT:  
CRI:  
LED Chip QTY  
Body Dimension(mm):  
IP Rating:  
Body Colour:  
Material:  
Lifespan:  
Ambient Temperature:

AC85-265V  
≥ 75Lm/w(±5%)  
3000K  
≥ 75(±2)  
Epistar SMD/10pcs  
Φ70\*70\*H55  
Ip66  
Silver+blue  
Aluminium  
30000Hrs  
- 25°C ~ +55 °C

**Product Overview**

**Application:**

Steps, wall, aisle, etc...

