

LED STEP LIGHT

**EB-SP-110**



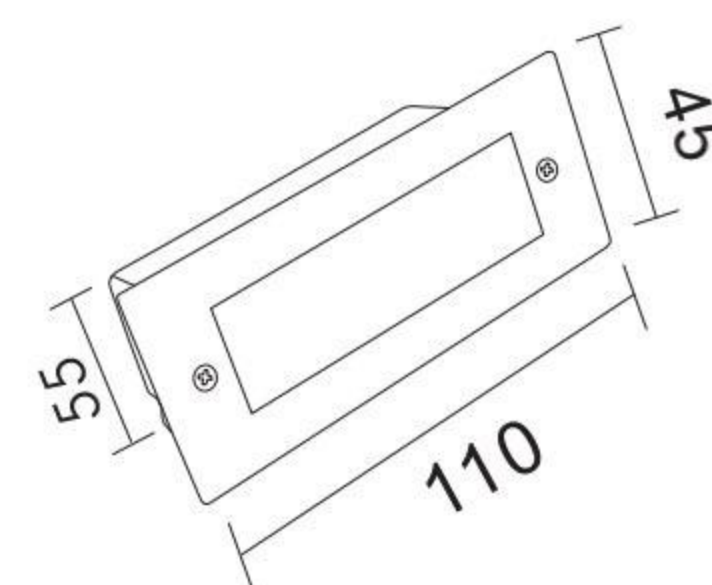
Dustproof



Rainproof



Anti-mosquito



**Watt**

**2W**

Input Voltage:

AC85-265V

Max Luminaire Efficiency:

≥ 75Lm/w(±5%)

CCT:

3000K

CRI:

≥ 75(±2)

LED Chip QTY

Epistar SMD/10pcs

Body Dimension(mm):

Φ 110\*45\*H55

IP Rating:

Ip66

Body Colour:

Silver+blue

Material:

Aluminium

Lifespan:

30000Hrs

Ambient Temperature:

- 25°C ~ +55 °C

**Product Overview**

**Application:**

Steps, wall, aisle, etc...

