

## LED STEP LIGHT

### EB-SP-170



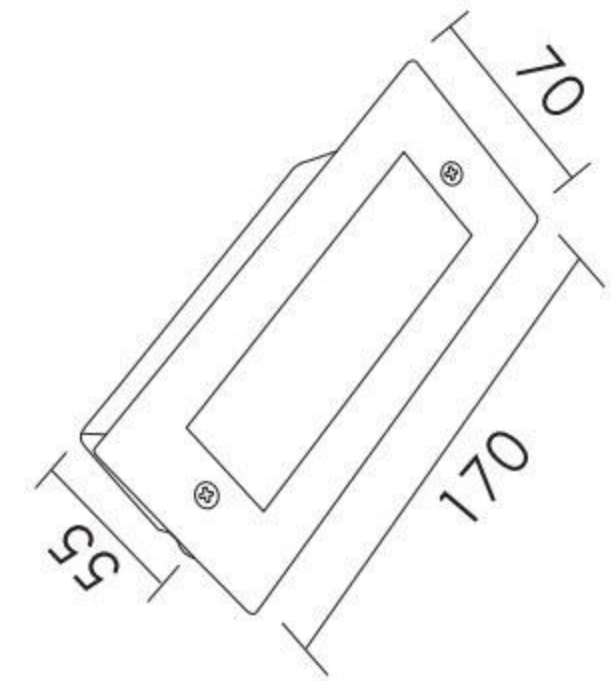
Dustproof



Rainproof



Anti-mosquito



### Watt

### 3W

Input Voltage:

AC85-265V

Max Luminaire Efficiency:

$\geq 75\text{Lm/w}(\pm 5\%)$

CCT:

3000K

CRI:

$\geq 75(\pm 2)$

LED Chip QTY

Epistar SMD/15pcs

Body Dimension(mm):

$\Phi 170*70*H55$

IP Rating:

Ip66

Body Colour:

Silver+blue

Material:

Aluminium

Lifespan:

30000Hrs

Ambient Temperature:

$- 25^{\circ}\text{C} \sim +55^{\circ}\text{C}$

#### Product Overview

#### Application:

Steps, wall, aisle, etc...

