

BSLight ULTRA



UFO SMD LED IP65 LOWBAY LIGHT

<<<ULTRA SERIES>>>



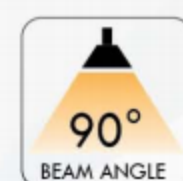
APPLICATION

- Ideal for Warehouse Lighting, Factory Lighting, Stadium Lighting.

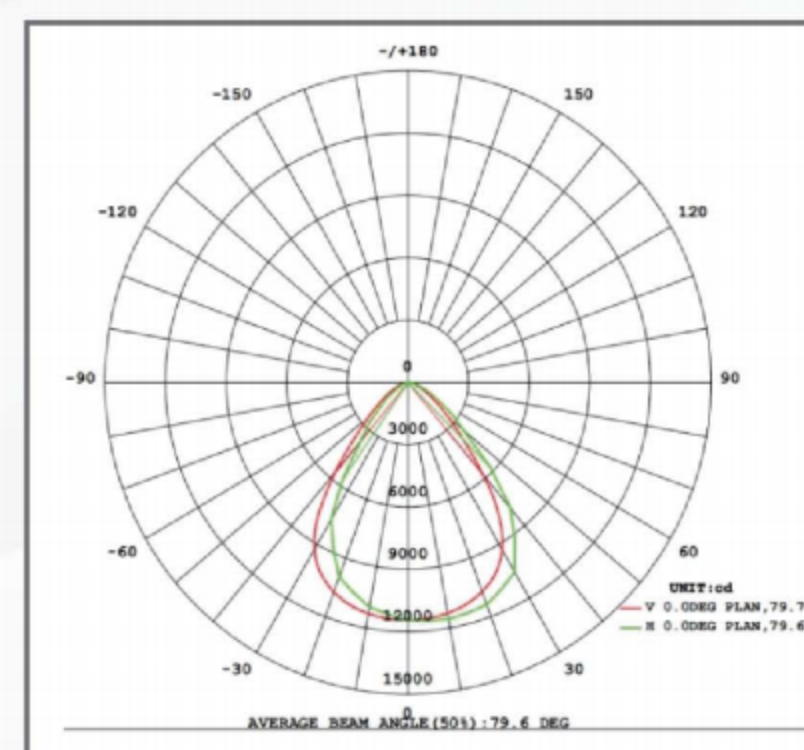


FEATURES

- Long Life LED Chips (50,000hrs)
- Operating Temp. -20°C ~ 50°C
- Solid Aluminium Die-Casting Housing
- Natural Convection Cooling Design (Fanless Structure)
- IP65 rating fully dust tight & protected against solid objects. (Suitable for cool-room and oily base environment)

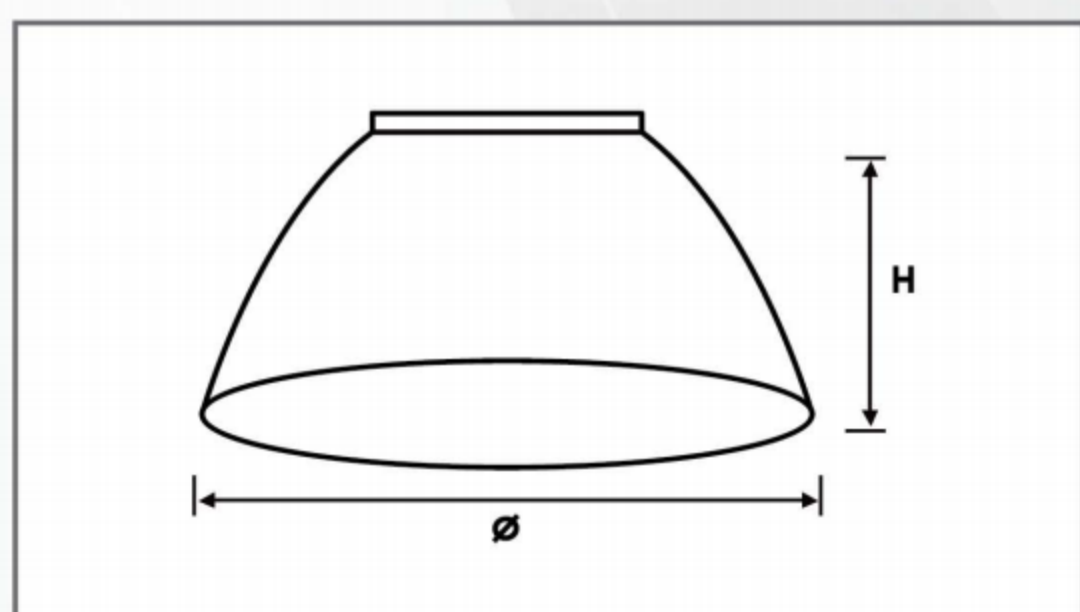
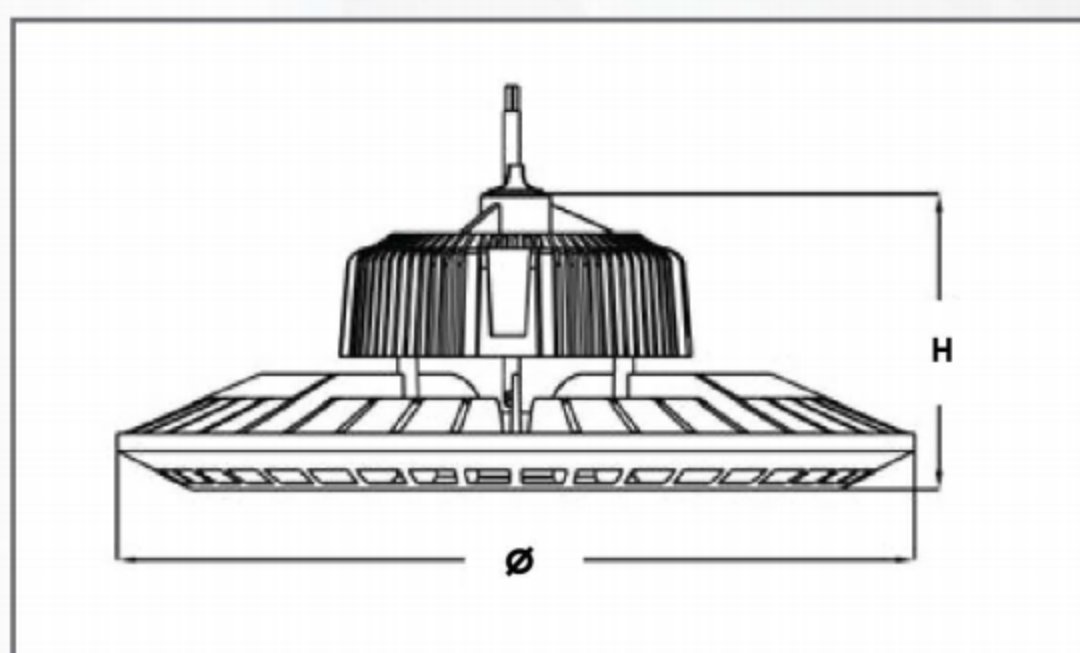


10KV SURGE
PROTECTION >>



Luminous Intensity Distribution Diagram

MODEL	POWER (W)	CCT (KT)	LUMEN (LM)	SIZE Ø x H (mm)	NET WEIGHT (Kg)	PACKING
BSHBIP65-100	100W	3000/4000/6500	13000	290 x 118	2.0	1/CTN
BSHBIP65-150	150W	3000/4000/6500	19500	345 x 127	3.1	1/CTN
BSHBIP65-200	200W	3000/4000/6500	26000	400 x 145	3.4	1/CTN



*Dimension For Shade

MODEL	SIZE (cm)	
	Ø	H
100W	38	15
150W	42	17.5
200/250/300W	46	16.5



<<Optional Available To Add-On
w/ Bracket>>