

# INDUSTRIAL LED LIGHTING

# EYELITE

## TENJO/HB EY969

### LED HIGHBAY

# CE

Aircraft Hangar

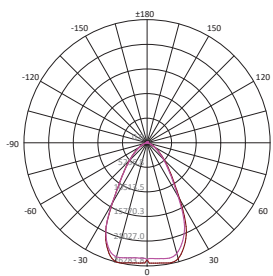


EY969-60W • 80W • 100W • 120W

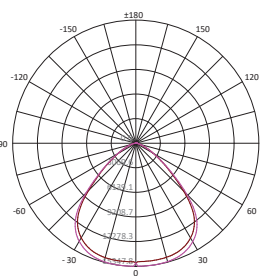


EY969-150W • 200W

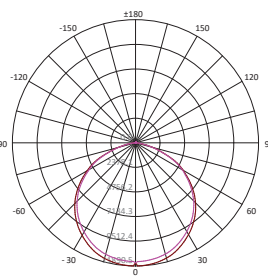
## PHOTOMETRY/BEAM ANGLE



~60°

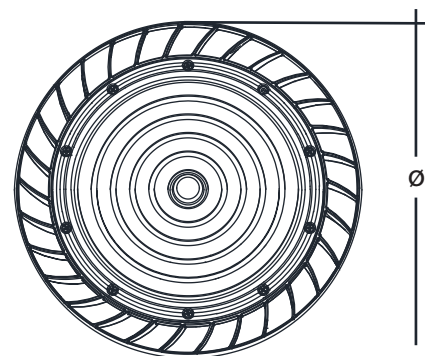


~90°



~110°


## PRODUCT DIMENSION

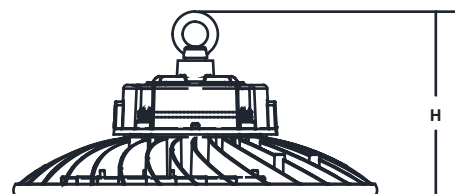


## PRODUCT FEATURES

- High Efficiency LED Highbay
- IP65 protection against moisture & dust
- Easy & Quick Installation/Maintenance
- Aluminium die-cast body with effective heat dissipation design
- Last longer with separate LED Driver (Non AC driver on board)



 PC Lens Cover Safe for  
Food & Beverage Industry



MODEL NO.	EY969-60W	EY969-80W	EY969-100W	EY969-120W	EY969-150W	EY969-200W
Power Consumption $\pm 5\%$ (W)	60W	80W	100W	120W	150W	200W
Luminaire Flux $\pm 5\%$ (lm)	10,200	13,600	17,000	20,400	25,500	34,000
System Efficacy $\pm 5$ (lm/W)	170	170	170	170	170	170
Power Factor (PF)	0.95	0.95	0.95	0.95	0.95	0.95
LED Driver Efficiency	0.93	0.93	0.93	0.95	0.95	0.95
Wattage per LED Chip (W)	0.29	0.38	0.48	0.40	0.50	0.50
HID Equivalent	150W	200W	250W	300W	375W	500W
Net Weight (kg)	2.10	2.20	2.20	2.25	3.05	3.05
Gross Weight (kg)	3.00	3.00	3.00	3.05	4.15	4.15
Dimension (mm)	$\Phi 290 \times 147$	$\Phi 290 \times 147$	$\Phi 290 \times 147$	$\Phi 290 \times 147$	$\Phi 340 \times 158$	$\Phi 340 \times 158$
Carton Dimension (mm)	335 x 335 x 180	335 x 335 x 180	335 x 335 x 180	335 x 335 x 180	420 x 420 x 195	420 x 420 x 195
CBM (m <sup>3</sup> )	0.02	0.02	0.02	0.02	0.034	0.034

Note: The above specified lumen and system efficiency based on standard CCT: 6000K, Ra>70.

## TECHNICAL SPECIFICATION

### ELECTRICAL SYSTEM

- **Input Voltage** : 100 - 240Vac, 50/60Hz, PF > 0.95
- **Insulation Class** : Class I

### LIGHT SOURCE / OPTIC

- **LED Type** : SMD 2835 with TM21 and LM80
- **Color Temperature (CCT)** : Standard 6000K  
(others 3000K & 4000K upon request)
- **Color Rendering Index (CRI)** : Ra > 70  
(Ra > 80, 90 upon request)
- **Life Time Residual Flux** : (L70), >50,000 hours @ Ta: 40°C
- **Optical System** : Standard 90°  
(60° and 110° Upon Request)
- **Working Temperature** : Ta = -10° to + 40°C

### FIXTURE/HOUSING

- **Ingress Protection (IP)** : IP65
- **Housing Material** : ADC 12 die-cast Aluminium
- **Housing Finish** : Akzo Nobel Epoxy Powder Coating - Black

### APPLICATION

- Warehouse • Factory • Halls & Retails • Hangar • Sport Centre

### COMPLIANCE

- **Type Test Certified (Luminaire)** : IEC 60598-1  
: IEC 60598-2-1
- **EMC Certified** : EN 61000-3-2, EN 61000-3-3  
: EN 55015, EN 61547
- **LED Compliances Test** : IESNA LM-80  
: TM-21
- **RoHS** : IEC 62321

### OPTIONAL FEATURES/ACCESSORIES

- Motion Sensor
- DALI / 1-10V dimming Control
- Smart Control System
- U-Bracket Mounting
- Opal Anti-Glare PC Visor

