

LED100C/FL

EYE IWASAKI

TURBO

LED FLOOD LIGHT



ESL
LIGHTING

PRODUCT SUMMARY

ELECTRICAL SYSTEM 

- **Power Consumption** : 320W, 450W, 480W, 600W
- **Input Voltage** : 100 - 240Vac (50/60Hz)
- **Power Factor** : > 0.95
- **Insulation Class** : Class I
- **LED Driver** : Constant Current
: Input Surge Protection
: IP67 Water dust proof
: Programmable (only selected models)
: 0-10V/ PWM/Timer Dimmable
- **Surge Protective Device** : I_{max} 25kA (50kV)
- **Optional Smart Control Features** : IoT Smart Lighting Control
: Photocell (Daylight Sensor)
- **Operating Temperature** : -20°C to +50°C

FIXTURE HOUSING   

- **Housing Material** : LM6 (Corrosion Resistant Aluminum)
- **Housing Finishing** : Akzo Nobel Powder Coating RAL 9007
- **Ingress Protection (IP)** : IP66 water dust proof
- **Impact Resistance (IK)** : IK08 (5 Joules of Impact)
- **Vibration Resistance** : 3G, 3-D Vibration 100,000 Cycle Test (Anti-Vibration Variant Only)
- **Tilting Adjustment** : Allowable tilt up to 162°
- **Nett Weight (kg) (Complete Luminaire) Fixture + Gearbox** : 320W : approx. 19.7 kg
450W : approx. 20.7 kg
480W : approx. 20.9 kg
600W : approx. 21.7 kg
- **Gross Weight (kg) (Complete Package) Fixture + Gearbox** : 320W : approx. 23.2 kg
450W : approx. 24.2 kg
480W : approx. 24.4 kg
600W : approx. 25.2 kg

LIGHT SOURCE / OPTIC SPECIFICATION 

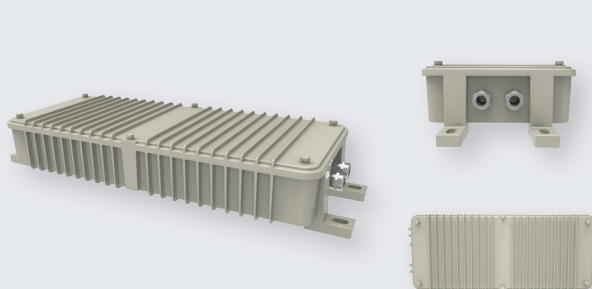
- **LED Type 1 / Optic** : SMD 3737 with 8°, 15°
- **LED Type 2 / Optic** : SMD 5050 with 30°, 60°, A5
- **Color Temperature (CCT)** : Standard 5000K
- **Color Rendering Index (CRI)** : RA > 70
: (RA > 80, 90 upon request)
- **Life Time Residual Flux** : (L80) > 50,000 hours
@ Ta = 50°C

STANDARDS & CERTIFICATION TEST 

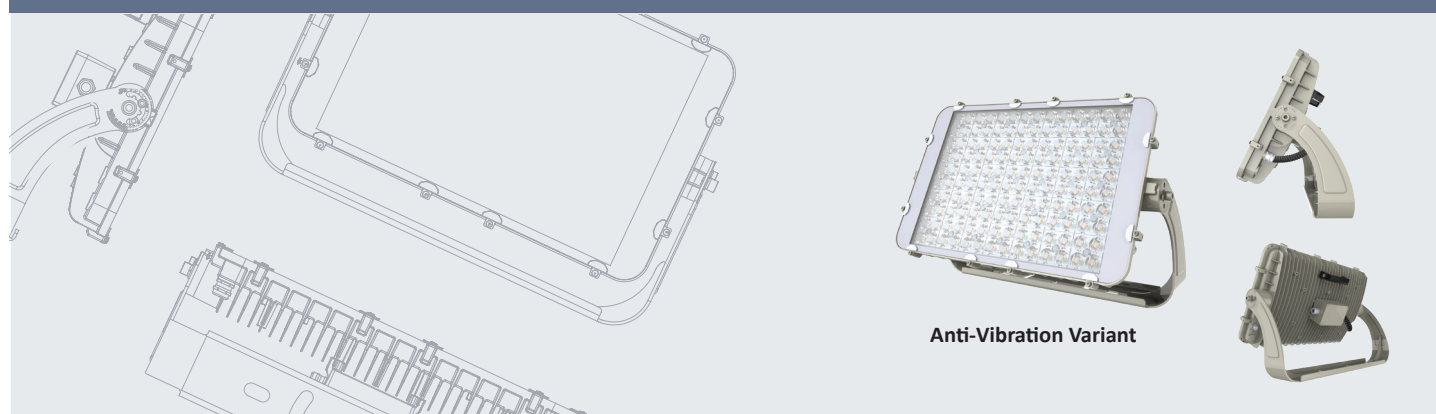
- **Type Test Compliance (Luminaire)** : IEC 60598-1
: IEC 60598-2-5, IEC/TR 62778
: EN 62493
- **EMC Compliance (LED Driver)** : EN 61000-3-2, EN 61000-3-3
: EN 55015, EN 61547
- **LED Compliance Test** : IESNA LM-80, TM-21
- **Ingress Protection Test** : IEC 60529 (IP66)
- **Impact Resistance Test** : IEC 62262 (IK08)



• Turbo LED Floodlight Fixture

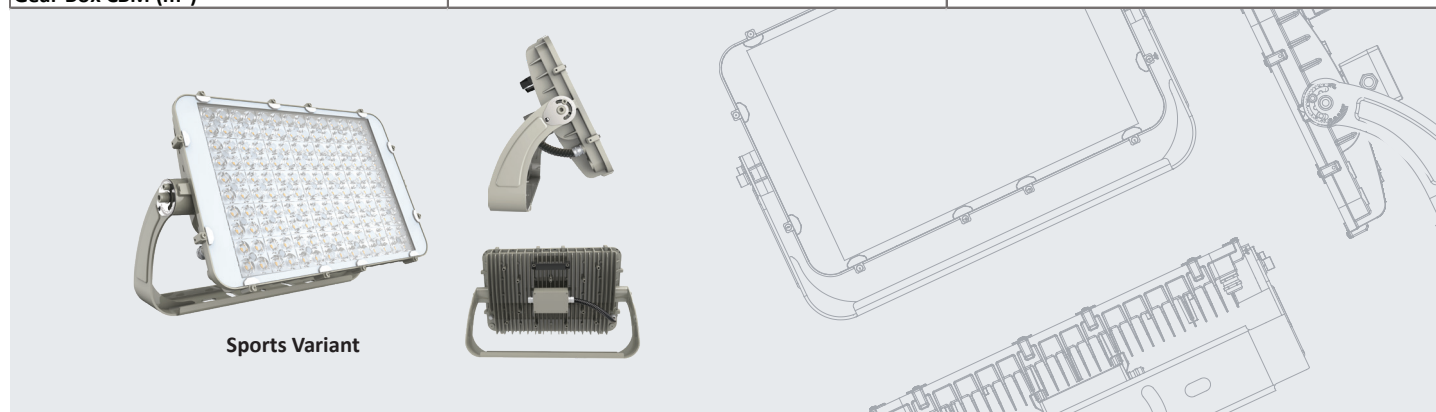


• IP66 Remote Gearbox

PRODUCT TECHNICAL DATA


Anti-Vibration Variant

Model	LEDioc/FL Turbo 320W Series	LEDioc/FL Turbo 450W Series
Power Consumption $\pm 5\%$ (W)	320W	450W
Beam Angle	8° / 15°	8° / 15°
Luminaire Flux $\pm 5\%$ (lm)	41,600 lm	54,000 lm
System Efficacy $\pm 5\%$ (lm/W)	130 lm/W	120 lm/W
Power Factor (PF)	> 0.95	> 0.95
Surge Protection Device (kA/kV)	I _{max} 25kA (50kV)	I _{max} 25kA (50kV)
Fixture Dimension L x W x H (mm)	603 x 408 x 205	
Fixture Carton Dimension L x W x H (mm)	640 x 485 x 305	
Fixture Net Weight (kg)	13.90	14.10
Fixture Gross Weight (kg)	15.90	16.10
Fixture CBM (m ³)	0.095	0.095
Gear Box Dimension L x W x H (mm)	575 x 208 x 99.5	
Gear Box Carton Dimension L x W x H (mm)	650 x 285 x 170	
Gear Box Net Weight (kg)	5.80	6.60
Gear Box Gross Weight (kg)	7.30	8.10
Gear Box CBM (m ³)	0.030	0.030



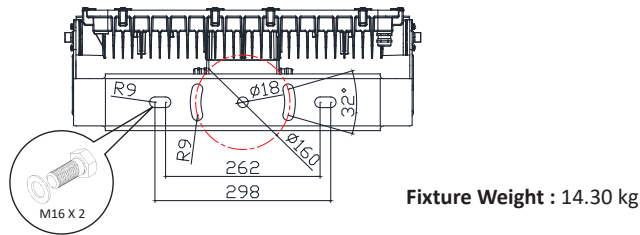
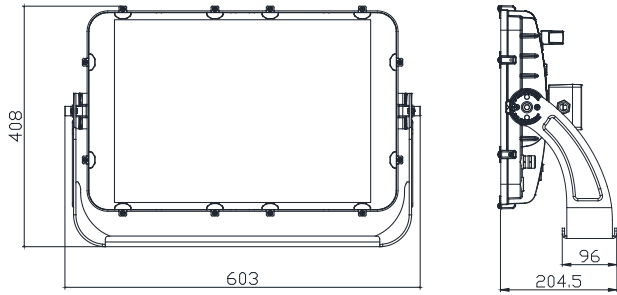
Sports Variant

Model	LEDioc/FL Turbo 480W Series	LEDioc/FL Turbo 600W Series
Power Consumption $\pm 5\%$ (W)	480W	600W
Beam Angle	30° / 60° / A5	30° / 60° / A5
Luminaire Flux $\pm 5\%$ (lm)	72,000 lm	90,000 lm
System Efficacy $\pm 5\%$ (lm/W)	150 lm/W	150 lm/W
Power Factor (PF)	> 0.95	> 0.95
Surge Protection Device (kA/kV)	I _{max} 25kA (50kV)	I _{max} 25kA (50kV)
Fixture Dimension L x W x H (mm)	603 x 408 x 205	
Fixture Carton Dimension L x W x H (mm)	640 x 485 x 305	
Fixture Net Weight (kg)	14.30	14.30
Fixture Gross Weight (kg)	16.30	16.30
Fixture CBM (m ³)	0.095	0.095
Gear Box Dimension L x W x H (mm)	575 x 208 x 99.5	
Gear Box Carton Dimension L x W x H (mm)	650 x 285 x 170	
Gear Box Net Weight (kg)	6.60	7.40
Gear Box Gross Weight (kg)	8.10	8.90
Gear Box CBM (m ³)	0.030	0.030

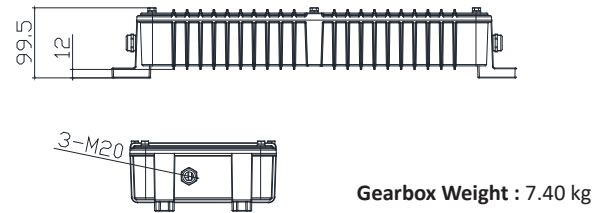
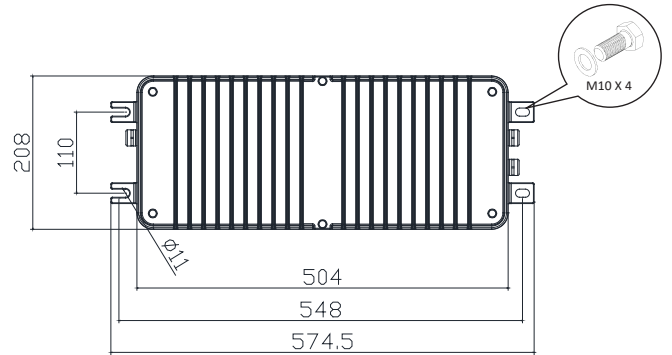
DIMENSION

ALL DIMENSION IN mm

IP66 Fixture

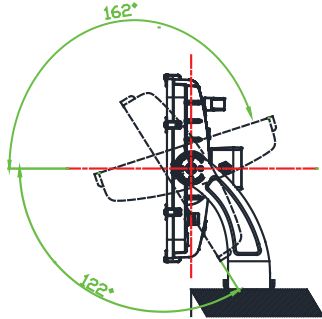


IP66 Gear Box

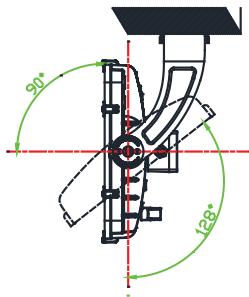


Note : The weight of the fixture and gearbox is based on LEDiOC/FL Turbo 600W series.

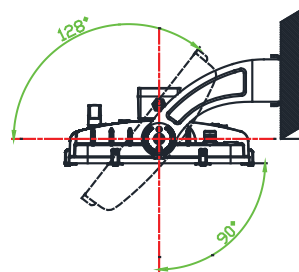
MOUNTING AND TILTING ADJUSTMENT



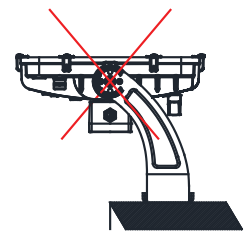
Floor Mount



Ceiling Mount



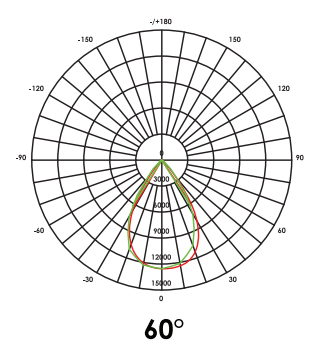
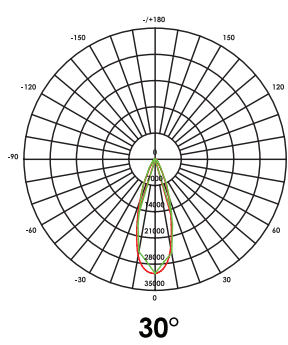
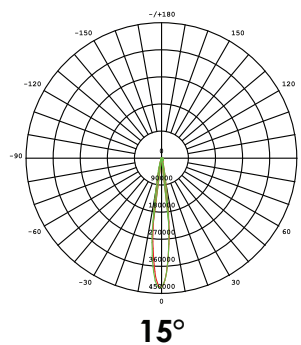
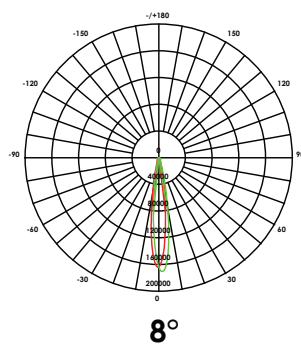
Wall Mount



Incorrect Installation

PHOTOMETRY DATA

Other optic upon request



ORDERING CODE

(Fixture Configuration)

(Control Gear)

E 320 5K 08 S G / D 1

- 1** : With IP66 Remote Gearbox ; **0** : Non-IP Gear Plate
- D** : Standard 1-10/PMW/ Timer (3 in 1 Dimmable)
- B** : Dali/Timer Dimmable
- K** : 1-10/PMW Dimmable
- S** : High input Voltage (249-528 Vac) 3 in 1 Dimmable
- Glare Shield - **N** : Standard No Glare Shield ; **G** : With Anti Glare Shield
- Variant - **S** : Sports ; **V** : Anti Vibration
- Beam Angle - **8°** ; **15°** ; **30°** ; **60°** ; **A5 (ASSY50)**
- Colour Temperature CCT - **5000K** (Standard Neutral White)
- Wattage Range - **320W** ; **450W** ; **480W** ; **600W**
- EYE Brand

LEDioc/FL Turbo 320W Series

Code	Model Description	CCT	Beam Angle	Variant	Gearbox
E3205K08SN/D1	Turbo 320W	5000K	8°	Sports	(1) : With IP66 Gearbox (0) : Non-IP Gear Plate
E3205K15SN/D1	Turbo 320W	5000K	15°	Sports	
E3205K30SN/D1	Turbo 320W	5000K	30°	Sports	
E3205K60N/D1	Turbo 320W	5000K	60°	Sports	
E3205K08VN/D1	Turbo 320W	5000K	8°	Anti Vibration	
E3205K15VN/D1	Turbo 320W	5000K	15°	Anti Vibration	
E3205K30VN/D1	Turbo 320W	5000K	30°	Anti Vibration	
E3205K60VN/D1	Turbo 320W	5000K	60°	Anti Vibration	



Front View



Side View

LEDioc/FL Turbo 450W Series

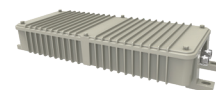
Code	Model Description	CCT	Beam Angle	Variant	Gearbox
E4505K08SN/D1	Turbo 450W	5000K	8°	Sports	(1) : With IP66 Gearbox (0) : Non-IP Gear Plate
E4505K15SN/D1	Turbo 450W	5000K	15°	Sports	
E4505K08VN/D1	Turbo 450W	5000K	8°	Anti Vibration	
E4505K15VN/D1	Turbo 450W	5000K	15°	Anti Vibration	



Rear View

LEDioc/FL Turbo 480W Series

Code	Model Description	CCT	Beam Angle	Variant	Gearbox
E4805K30SN/D1	Turbo 480W	5000K	30°	Sports	(1) : With IP66 Gearbox (0) : Non-IP Gear Plate
E4805K60SN/D1	Turbo 480W	5000K	60°	Sports	
E4805K30VN/D1	Turbo 480W	5000K	30°	Anti Vibration	
E4805K60VN/D1	Turbo 480W	5000K	60°	Anti Vibration	



(1) : IP66 Remote Gearbox

Eg: E3205K08S/D1

LEDioc/FL Turbo 600W Series

Code	Model Description	CCT	Beam Angle	Variant	Gearbox
E6005K30SN/D1	Turbo 600W	5000K	30°	Sports	(1) : With IP66 Gearbox (0) : Non-IP Gear Plate
E6005K60SN/D1	Turbo 600W	5000K	60°	Sports	
E6005K30VN/D1	Turbo 600W	5000K	30°	Anti Vibration	
E6005K60VN/D1	Turbo 600W	5000K	60°	Anti Vibration	



(0) : Non-IP Gear Plate

Eg: E3205K08S/D0

Note : 1. All product code comes with Standard 3 in 1 Dimmable LED Driver (D) and come with IP66 Remote Gearbox (1).
2. Non-IP Gear Plate, other driver model, other colour temperature CCT can be made upon request.