

Model:

KEL 12L-44P (B)



Glow In The Dark



Input Supply	220 - 240V 50/60Hz	Rating	$\leq 0.02A / \leq 2.4W / \leq 0.45 PF$
Mode of Operation	Non-Maintained	Classification	Class II
Lamp	LED 12 pieces X 1.5W	Degree of Protection	IP 20
Battery	NI-Cd AA 3.6V 1000mAh	Max. Operating Temperature (Ta)	35°C
Emergency Duration	Min. 3 Hours	Recommended Mounting Height	Min. 2.3m
Recharge Period	24 Hours	Weight	$\approx 0.35 KG$

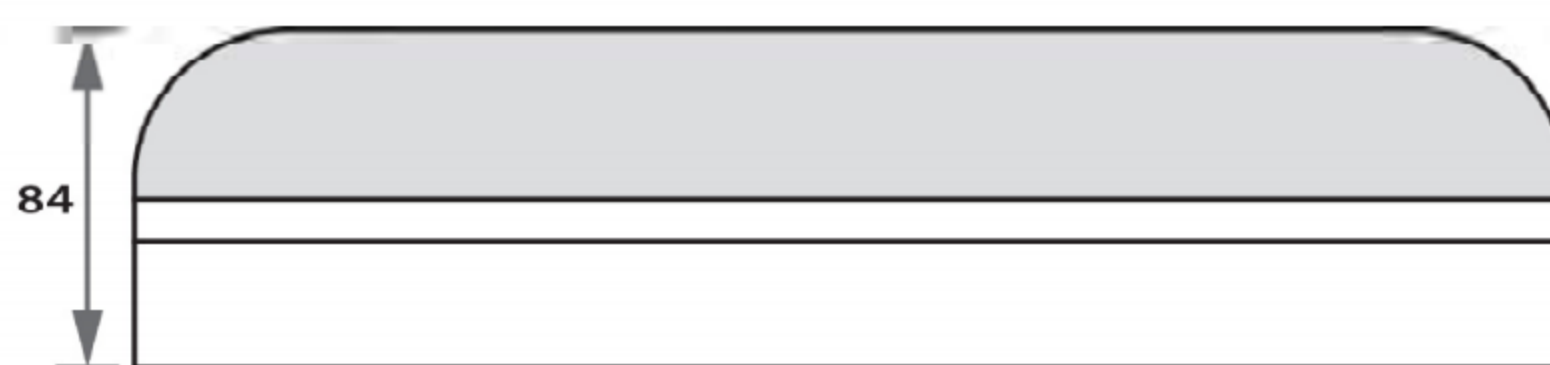
- Construction: Acrylic Housing with Acrylic diffuser
- Test Standard: MS 619-2-22:2005
MS IEC 60598-1:2012
- CERTIFIED BY: SIRIM QAS INTERNATIONAL SDN. BHD.
JABATAN BOMBA DAN PENYELAMAT MALAYSIA



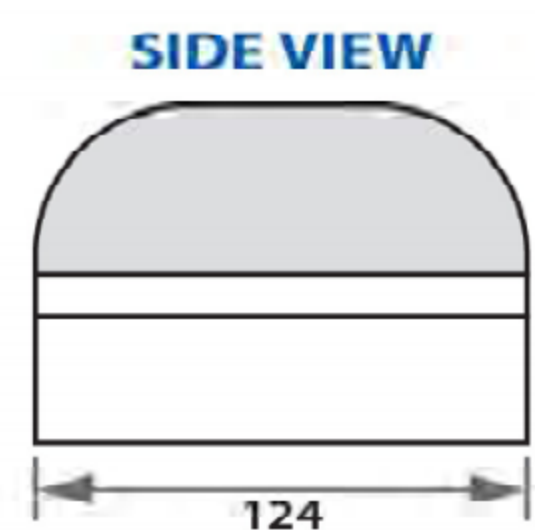
TOP VIEW

Dimension in mm
Tolerance: $\pm 0.03mm$

Surface Mounting



FRONT VIEW



SIDE VIEW