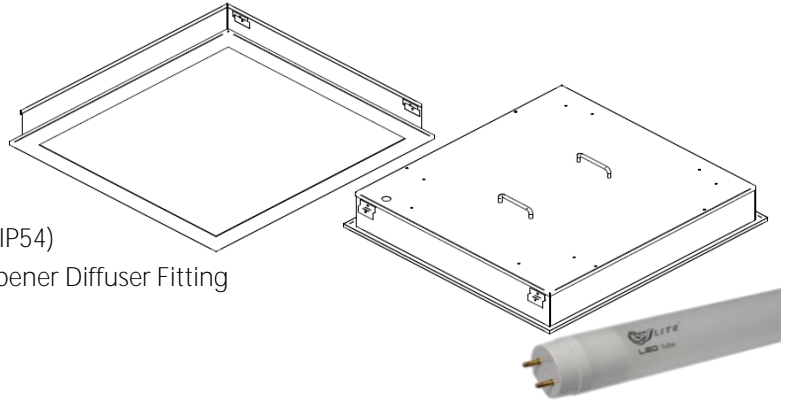


Brand : SJLITE  
 Model : SAC 2A 220 W CRF (Top Opener) (IP54)  
 Description : 2x8.5W LED Plaster Ceiling Top Opener Diffuser Fitting  
 Manufacturer : SIRIJAYA INDUSTRIES SDN. BHD.  
 Ingress Protection : IP54



## Optical Information

Nominal Luminous Flux (lm) : 1700 lm  
 Nominal Luminous Efficacy (lm/w) : 100 lm/W

## Electrical Data

Rate Input Voltage & Frequency : 220-240V, 50/60 HZ  
 Power Factor : >0.9  
 Efficiency : >0.9  
 THD : <20%  
 System Power (Including Losses) : 17W

## Light Source

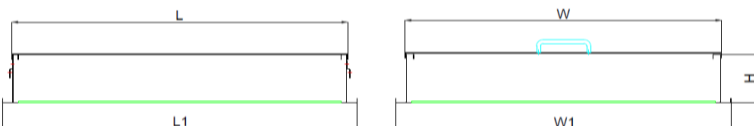
Light Source Type : SJ LITE LED Tube RLASJLC820924 (8.5W)  
 CRI : 80  
 SDCM : 2.9  
 Luminous Flux : 850 lm  
 CCT : 4000K  
 Nominal Drive Current : 42mA

## Operating Environment Parameter

Operating Temperature : 0...45°C  
 Tc Point Marking : 50°C

## Mechanical Dimensions

Length (L) : 640mm      Length (L1) : 677mm  
 Width (W) : 603mm      Width (W1) : 640mm  
 Height (H) : 102mm



## Accessories

Connector : BELEKS 960-B  
 Diffuser : Opal (Non-Flame Retardant Diffuser)