

LED SMART STREET LIGHT

ECO PREMIUM SERIES



Shorting Cap



Smart Lamp Controller (Option)



TECHNICAL SPECIFICATIONS

Input Power	120 W - LSTLCP - A120N5G□ 150 W - LSTLCP - A150N5G□ 180 W - LSTLCP - A180N5G□ 200 W - LSTLCP - A200N5G□ □ : CCT (D/ C/ NW/ W)
Housing Material	Pure Aluminium Die Cast
Housing Colour	Grey
Optical Cover	Clear Tempered Glass Diffuser
Optical Lens Material	Polycarbonate (PC)
Ingress Protection	IP66
Impact Resistance	IK08
Protection Class IEC	Class 1
Operating Temperature	-30 to +60 °C
Mounting Bracket	Adjustable (-15° to +15°)
Lifetime	60,000 h
Warranty	5 Years

ELECTRICAL DATA

Input voltage	100 - 240 Vac (50/60Hz)
Dimmable	Non / 1-10 V
Input Current	120 W = 0.55 A 150 W = 0.63 A 180 W = 0.80 A 200 W = 0.88 A
Power Factor	> 0.95
Power Efficiency (%)	> 90 %
Total Harmonic Distortion (THD)	< 11 %
Surge Protection Device (SPD)	20 - 25 kA
NEMA Socket	7-Pin Nema ANSI Connector Support LoRa Mesh, LoRa, (NB-IoT Smart Lighting System)

PHOTOMETRIC DATA

Color Temperature	<input type="checkbox"/> 3000K Warm White <input checked="" type="checkbox"/> 3500K Neutral White <input type="checkbox"/> 4000K Cool White <input type="checkbox"/> 5000K Day Light
Color Rendering Index	> 70
Beam Angle	120°
Standard Deviation Colour Matching (SDCM)	< 3
Luminous Flux	120 W - 18,500 lm 150 W - 23,000 lm 180 W - 27,000 lm 200 W - 29,500 lm
Luminous Efficacy	148 - 154 lm / W

COMPLIANCE STANDARD

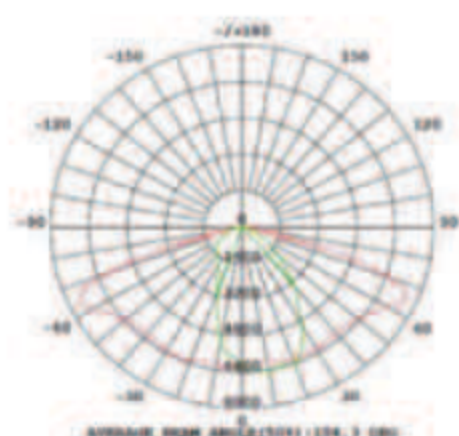
LED	IES LM-80, UL, RoHS, IEC 62471
Driver	IEC 61347-1, IEC 61347-2-13, EN 62984, EN 62493, EN 55015, EN 61547, EN 61000-3-2, EN 61000-3-3
Luminaire	IEC 60598-1, IEC 60598-2-3, Wind Tunnel Tested, IEC 62471, IEC TR 62778, EN 55015, EN 61000-3-2, EN 61000-3-3, EN 61547, IEC 61000-4-5, IES LM-79-80, IES TM-21-11, IEC 62384, IEC 62722-1, IEC 62722-2-1, IEC 62031, IEC 62717, IEC 60695-11-10
Approval Marks	SIRIM Certificate JKR EMAL MyHijau

LED SMART STREET LIGHT

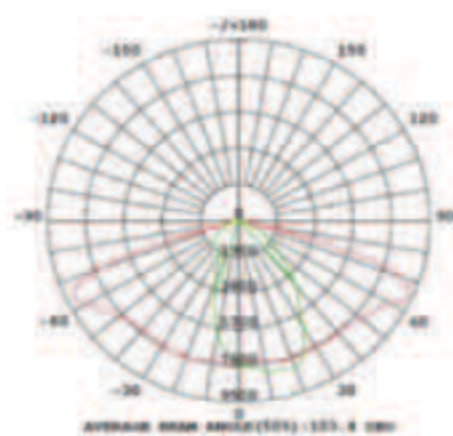
ECO PREMIUM SERIES



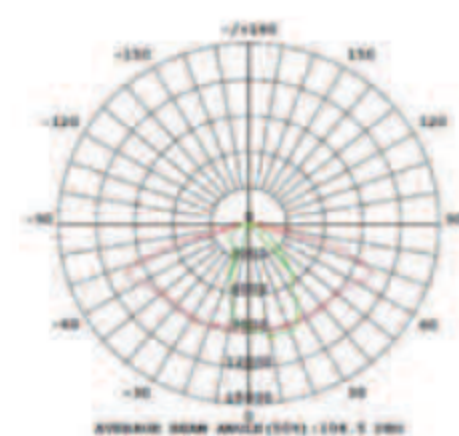
PHOTOMETRIC



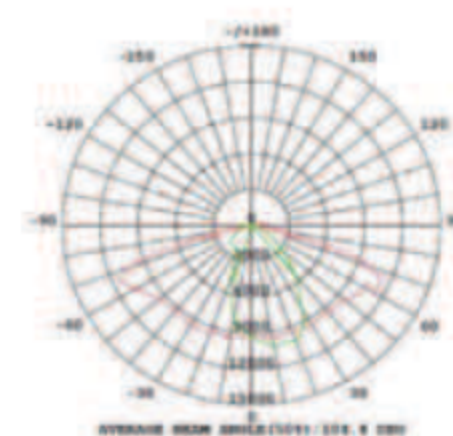
120W



150W

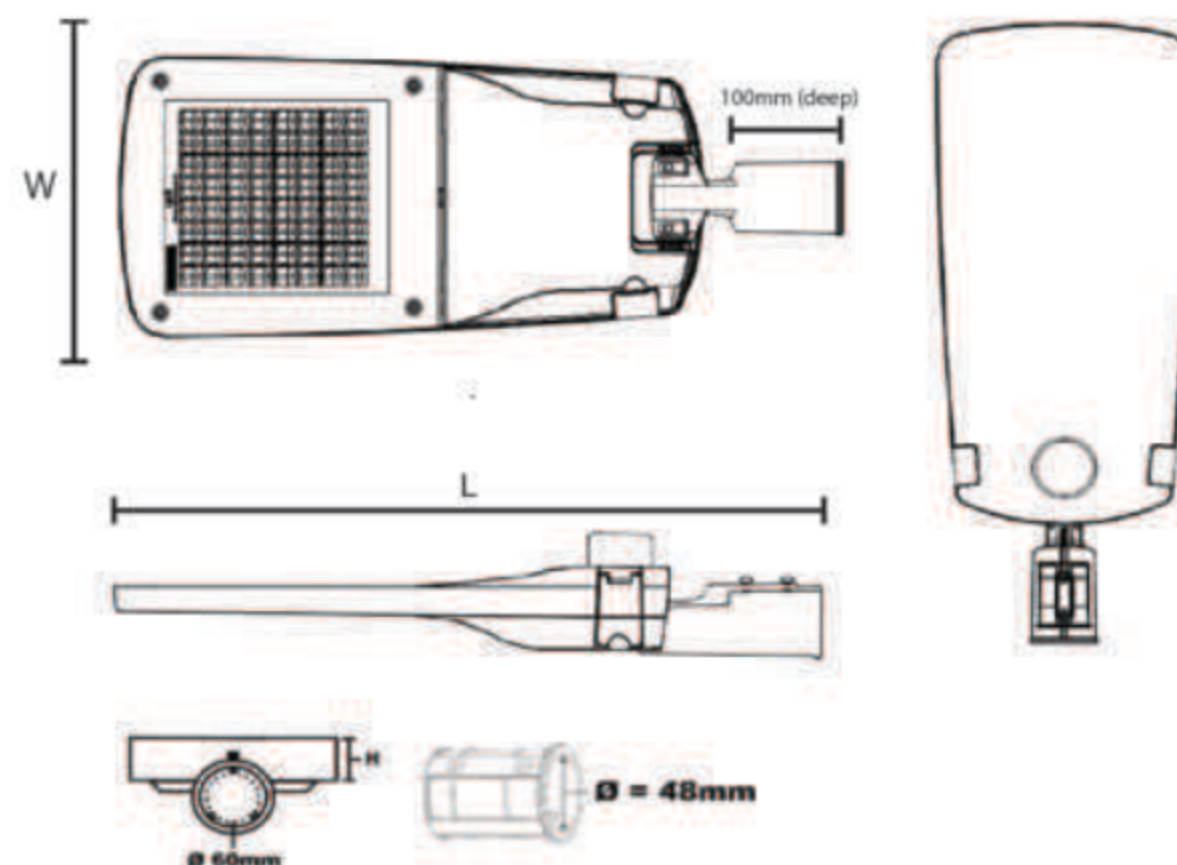


180W



200W

PRODUCT DIMENSION



MODEL	HOUSING		CARTON BOX	
	DIMENSION	NET WEIGHT	DIMENSION	GROSS WEIGHT
LSTLCP - A120N5G□	L : 780 x W : 300 x H : 155 mm	8 Kg	L : 820 x W : 345 x H : 170 mm	9.5 Kg
LSTLCP - A150N5G□				
LSTLCP - A180N5G□				
LSTLCP - A200N5G□				

PROJECT REFERENCE



CERTIFICATION

