

LED HIGH MAST / FLOOD LIGHT / HIGH BAY

PREMIUM SERIES



TECHNICAL SPECIFICATIONS

Input Power	50 W - LHMLP - A050N5G <input type="checkbox"/> 70 W - LHMLP - A070N5G <input type="checkbox"/> 100 W - LHMLP - A100N5G <input type="checkbox"/> 150 W - LHMLP - A150N5G <input type="checkbox"/> 200 W - LHMLP - A200N5G <input type="checkbox"/> 250 W - LHMLP - A250N5G <input type="checkbox"/> 300 W - LHMLP - A300N5G <input type="checkbox"/> 400 W - LHMLP - A400N5G <input type="checkbox"/> 450 W - LHMLP - A450N5G <input type="checkbox"/> <input type="checkbox"/> : CCT (D/ C/ W/ A/ WY)
Housing Material	Pure Aluminium Die Cast
Housing Colour	Grey
Optical Cover	Tempered Glass Diffuser
Optical Lens Material	Polycarbonate (PC)
Ingress Protection	IP66
Impact Resistance Glass	IK08
Protection Class IEC	Class 1
Operating Temperature	-30 to +60 °C
Mounting Bracket	Adjustable
Lifetime	60,000 h
Warranty	3 / 5 Years

ELECTRICAL DATA

Input voltage	100 - 240 Vac (50/60Hz)
Dimmable	Non / 1-10 V
Input Current	50 W = 0.22 A 70 W = 0.30 A 100 W = 0.40 A 150 W = 0.70 A 200 W = 0.94 A 250 W = 1.10 A 300 W = 1.43 A 400 W = 1.87 A 450 W = 1.96 A
Power Factor	> 0.95
Power Efficiency (%)	> 90 %
Total Harmonic Distortion (THD)	< 12 %
Surge Protection Device (SPD)	20 - 25 kA

PHOTOMETRIC DATA

Color Temperature	<input type="checkbox"/> 1800K Warm Yellow <input type="checkbox"/> 2200K Amber <input type="checkbox"/> 3000K Warm White <input type="checkbox"/> 4000K Cool White <input type="checkbox"/> 5000K Day Light
Color Rendering Index	> 70
Beam Angle	15° / 30° / 60° / 90° / 120° Asymmetrical
Standard Deviation Colour Matching (SDCM)	< 3
Luminous Flux	50 W - 7,500 lm 70 W - 10,500 lm 100 W - 14,500 lm 150 W - 22,500 lm 200 W - 30,000 lm 250 W - 38,500 lm 300 W - 43,500 lm 400 W - 58,000 lm 450 W - 65,000 lm
Luminous Efficacy	142 - 155 lm / W

COMPLIANCE STANDARD

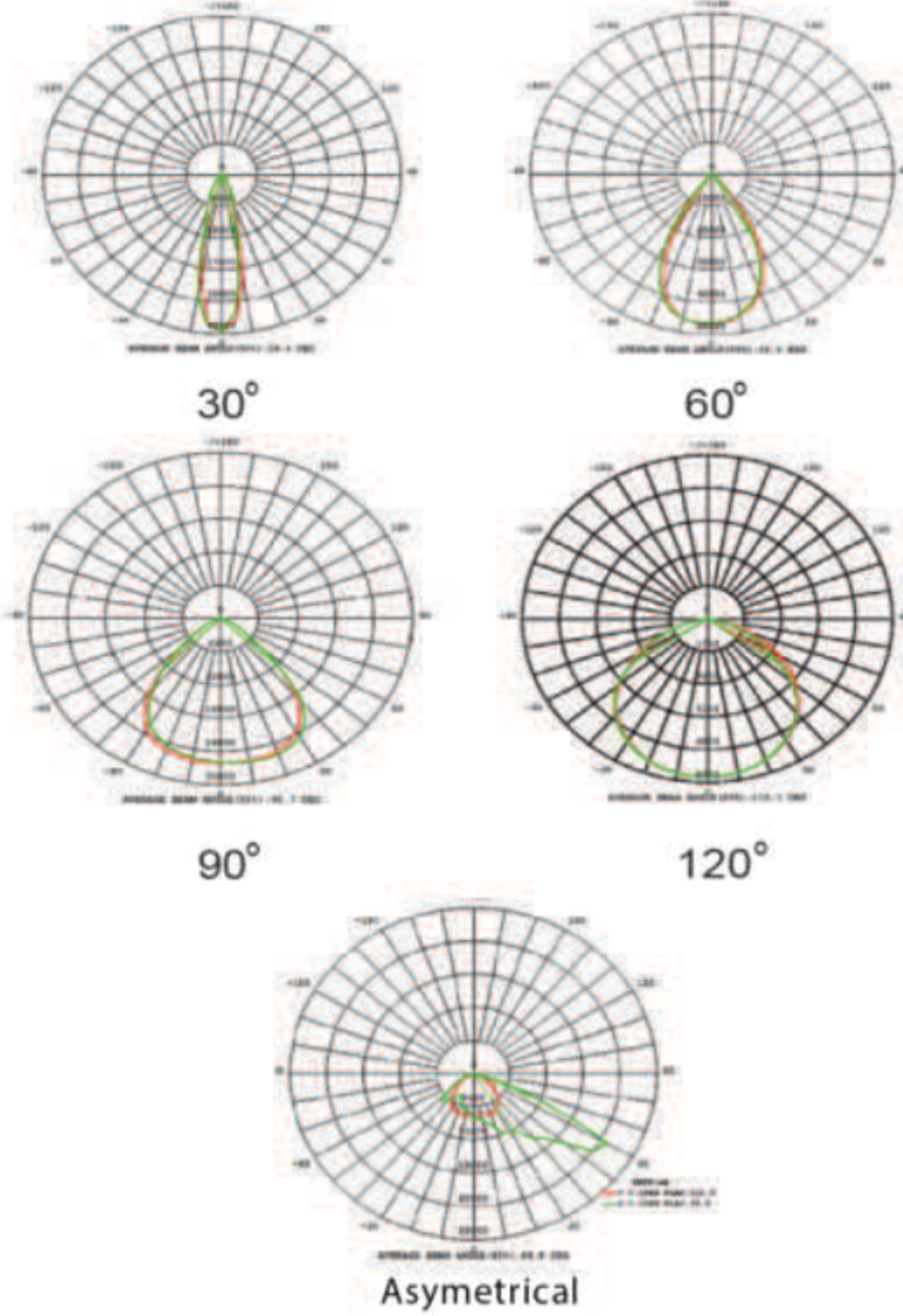
LED	IES LM-80, UL, RoHS, IEC 62471
Driver	IEC 61347-2-13, IEC 61347-1, EN 62384, EN 55015, EN 61547, EN 61000-3-2, EN 61000-3-3, KS C 7655
Luminaire	IEC 60598-1, IEC 60598-2-1
Approval Marks	SIRIM Certificate

LED HIGH MAST / FLOOD LIGHT / HIGH BAY

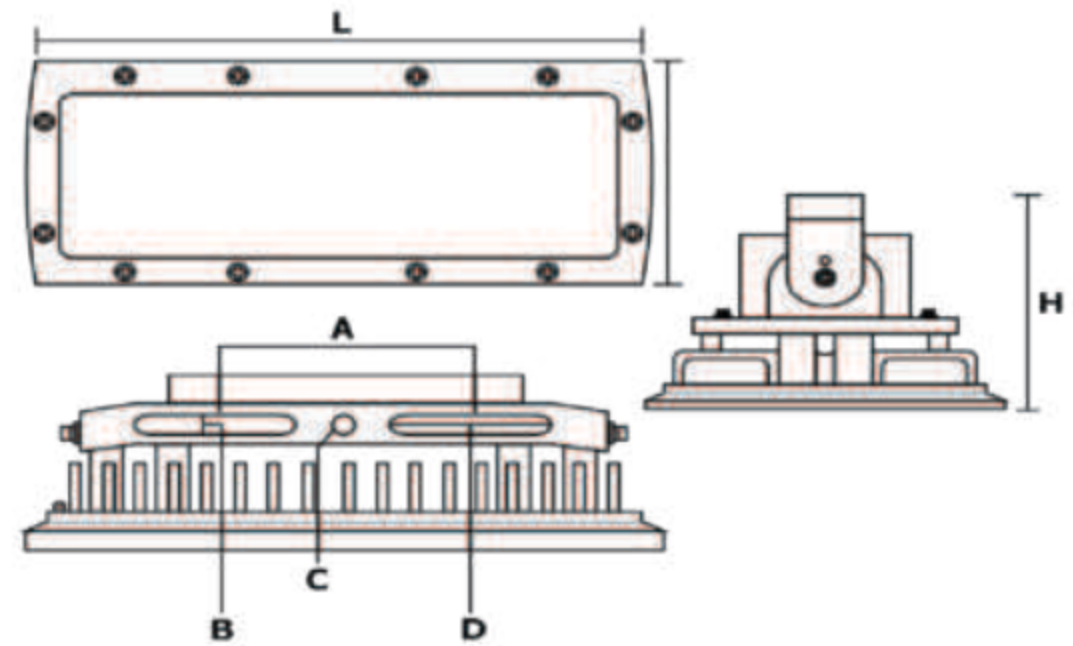
PREMIUM SERIES



PHOTOMETRIC



PRODUCT DIMENSION



BRACKET DIMENSION				
MODEL	A	B	C	D
LHMLP - A050N5G	115 mm	10 mm	10 mm	55 mm
LHMLP - A070N5G				60 mm
LHMLP - A100N5G				60 mm
LHMLP - A150N5G	120 mm	10 mm	10 mm	60 mm
LHMLP - A200N5G				60 mm
LHMLP - A250N5G	120 mm	10 mm	10 mm	99 mm
LHMLP - A300N5G				99 mm
LHMLP - A400N5G				99 mm
LHMLP - A450N5G				

MODEL	HOUSING		CARTON BOX	
	DIMENSION	NET WEIGHT	DIMENSION	GROSS WEIGHT
LHMLP - A050N5G □	L : 330 x W : 200 x H : 175 mm	4.5 Kg	L : 355 x W : 225 x H : 165 mm	5 Kg
LHMLP - A070N5G □				
LHMLP - A100N5G □				
LHMLP - A150N5G □	L : 440 x W : 235 x H : 190 mm	6.5 Kg	L : 468 x W : 265 x H : 195 mm	7 Kg
LHMLP - A200N5G □				
LHMLP - A250N5G □	L : 560 x W : 330 x H : 245 mm	11.5 Kg	L : 590 x W : 355 x H : 250 mm	12 Kg
LHMLP - A300N5G □				
LHMLP - A400N5G □				
LHMLP - A450N5G □				

PROJECT REFERENCE



CERTIFICATION

