

LED SMART DOWN LIGHT

ECO SMART SERIES



lumos
CONTROLS
A WISILICA BRAND



Smart LED Driver



Smart Control



SMART FEATURES

- Tunable from warm (2700K) to cool day light (6500K)
- Excellent dimming effect (0-10V)
- Take control of your energy consumption with your smartphone or tablet by installing apps from the Apple App Store and Google Play Store.



TECHNICAL SPECIFICATIONS

Input Power	8 W - LSD6RC - A08E3P □ 12 W - LSD6RC - A12E3P □ 20 W - LSD6RC - A20E3P □ 26 W - LSD6RC - A26E3P □ 28 W - LSD8RC - A28E3P □ 32 W - LSD8RC - A32E3P □ 36 W - LSD10RC - A36E3P □ 39 W - LSD10RC - A39E3P □ 49 W - LSD10RC - A49E3P □
Housing Material	Fully Aluminium
Housing Colour	White
Optical Cover	Polycarbonate (PC) Milky Diffuser
Lamp Base	IP20
Protection Class IEC	Class 2
Operating Temperature	-20 to +45 °C
Lifetime	50,000 h

ELECTRICAL DATA

Input voltage	220 - 240 Vac (50/60Hz)
Input Current	8W - 0.03A 12W - 0.05A 20W - 0.08A 26W - 0.11A 28W - 0.12A 32W - 0.13A 36W - 0.15A 39W - 0.16A 43W - 0.18A
Driver	Dimmable
Power Factor	> 0.95
Power Efficiency (%)	> 90 %
Total Harmonic Distortion (THD)	< 15 %

PHOTOMETRIC DATA

Color Temperature	Tunable (2700K-6500K)
Color Rendering Index	> 85
Beam Angle	120°
Standard Deviation Colour Matching (SDCM)	< 5
Luminous Flux	8 W - 800 lm 12 W - 1,200 lm 20 W - 2,000 lm 26 W - 2,600 lm 28 W - 2,800 lm 32 W - 3,200 lm 36 W - 3,600 lm 39 W - 3,900 lm 43 W - 4,300 lm
Luminous Efficacy	100 lm / W

COMPLIANCE STANDARD

LED	IES LM-80, UL, RoHS
Driver	IEC 61347-1, IEC 61347-2-13, EN IEC 60598-1, EN 62493, ETSI EN 301489-1 V2.2.3, ETSI EN 301489-17 V2.2.4, EN 55032, EN 55035, ETSI EN 300 328 V2.2.2, EN 62479, EN 50663
Approval Marks	CE, Suruhanjaya Tenaga (ST)} driver only

OPTION ACCESSORIES



Remote & Switches



WiFi Gateway



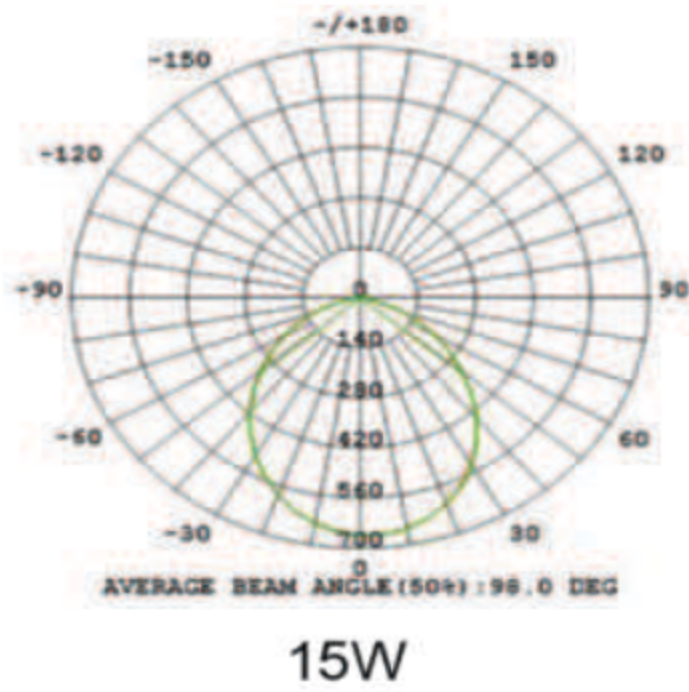
Motion & Daylight Sensors

LED SMART DOWN LIGHT

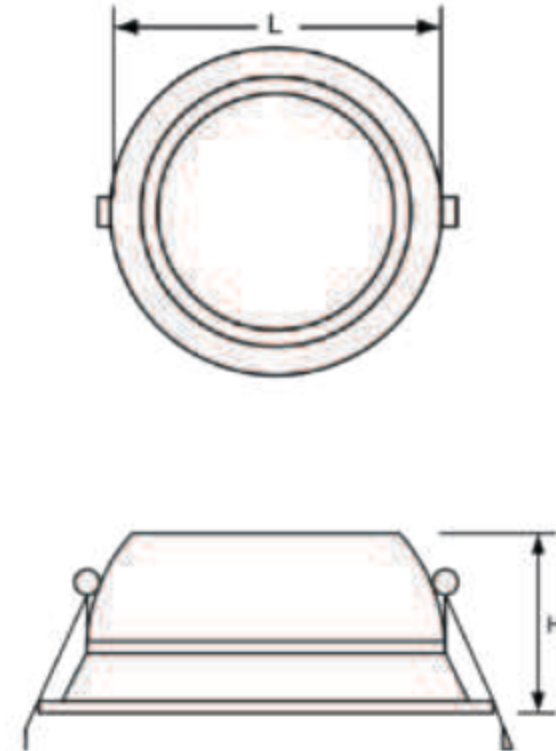
ECO SMART SERIES



PHOTOMETRIC



PRODUCT DIMENSION



MODEL	HOUSING			CARTON BOX		
	DIMENSION	NET WEIGHT	CUT HOLE	DIMENSION	GROSS WEIGHT	QUANTITY PER CARTON
LSD6RC - A08E3P □	Ø : 175 x H : 55 mm	275 g	Ø : 145 mm	L : 434 x W : 354 x H : 414 mm	8.1 Kg	20 pcs
LSD6RC - A12E3P □						
LSD6RC - A20E3P □						
LSD6RC - A26E3P □						
LSD8RC - A28E3P □	Ø : 220 x H : 70 mm	417 g	Ø : 170 mm	L : 482 x W : 476 x H : 474 mm	11.0 Kg	20 pcs
LSD8RC - A32E3P □						
LSD10RC - A36E3P □	Ø : 240 x H : 70 mm	550 g	Ø : 170 mm	L : 482 x W : 476 x H : 474 mm	11.0 Kg	20 pcs
LSD10RC - A39E3P □						
LSD10RC - A43E3P □						

REFERENCE

