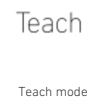


# IS 3360 MX Highbay

COM1 - surface, sq.  
 EAN 4007841 033569  
 Article number 033569



## Function description

A head for heights. Powerful reach. Reliable. IS 3360 MX Highbay motion detector – ideal for high ceilings in industrial buildings or commercial properties. For mounting heights of up to 14 m. High-precision 360° infrared sensor. Maximum reach: 18 m. For watching over up to 1000 sq.m. Available as square surface-mounted and concealed version.

## Technical specifications

Dimensions (L x W x H)	65 x 95 x 95 mm
With motion detector	Yes
Manufacturer's Warranty	5 years
Settings via	Remote control, Potentiometers, Smart Remote
With remote control	No
Version	COM1 - surface, sq.
PU1, EAN	4007841033569
Type	Motion detectors
Application, place	Indoors
Application, room	high-bay warehouse, sports hall, Indoors
Colour	white
Colour, RAL	9003
Includes corner wall mount	No
Installation site	ceiling
Installation	Surface wiring, Ceiling
IP-rating	IP54

LED lamps > 8 W	600 W
Capacitive load in µF	176 µF
Power consumption	0,26 W
Technology, sensors	passive infrared, Light sensor
Mounting height	4,00 – 14,00 m
Mounting height max.	14,00 m
Optimum mounting height	12 m
Detection angle	360 °
Angle of aperture	180 °
Sneak-by guard	Yes
Capability of masking out individual segments	Yes
Electronic scalability	No
Mechanical scalability	No
Reach, radial	Ø 14 m (154 m²)
Reach, tangential	Ø 36 m (1018 m²)
Switching zones	1416 switching zones

# IS 3360 MX Highbay

COM1 - surface, sq.  
 EAN 4007841 033569  
 Article number 033569



## Technical specifications

Ambient temperature	-20 – 50 °C
Material	Plastic
Mains power supply	220 – 240 V / 50 – 60 Hz
Switching output 1, resistive	2000 W
Switching output 1, number of LEDs / fluorescent lamps	8 pcs.
Fluorescent lamps, electronic ballast	1500 W
Fluorescent lamps, uncorrected	1000 VA
Fluorescent lamps, series-corrected	400 VA
Fluorescent lamps, parallel-corrected	400 VA
Switching output 1, low-voltage halogen lamps	2000 VA
LED lamps < 2 W	100 W
LED lamps > 2 W < 8 W	300 W

Abdeckmaterial Lieferumfang	shrouds
Functions	Normal / test mode, Manual ON / ON-OFF
Twilight setting	2 – 1000 lx
Time setting	5 s – 15 Min.
Basic light level function	No
Main light adjustable	No
Twilight setting TEACH	Yes
Constant-lighting control	No
Interconnection	Yes
Type of interconnection	Master/master
Interconnection via	Cable
Interconnection, number	max. 10 sensors

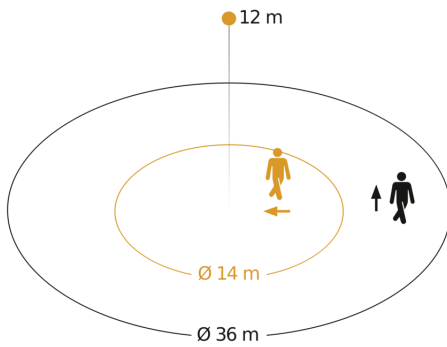
## Accessories

EAN 4007841 009151	Remote control Smart Remote
EAN 4007841 559410	Service remote control RC8
EAN 4007841 056711	Black cover for IR-sensors

# IS 3360 MX Highbay

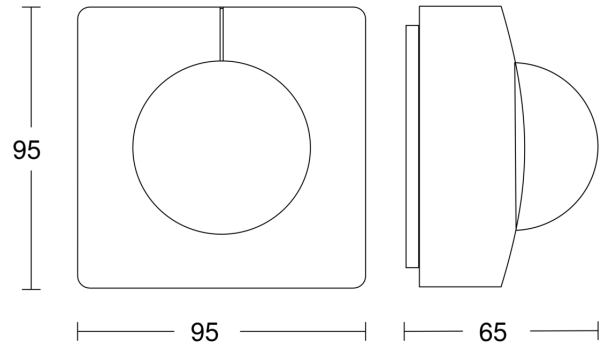
COM1 - surface, sq.  
EAN 4007841 033569  
Article number 033569

## Detection Zone

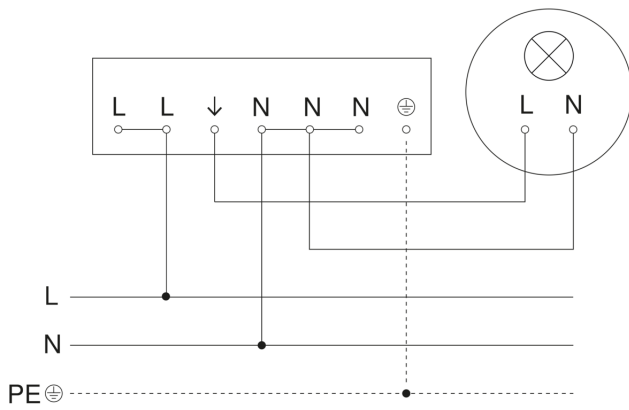


Possible mounting height: 4,00 m - 14,00 m  
Orange: radial  
Black: tangential

## Dimension Drawing



## Master circuit diagram

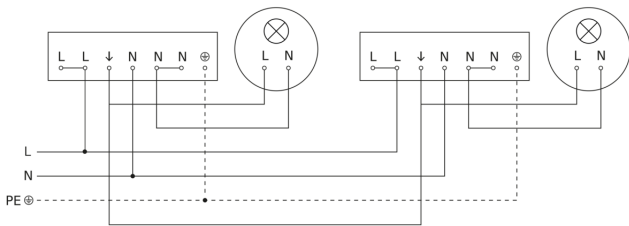


# IS 3360 MX Highbay

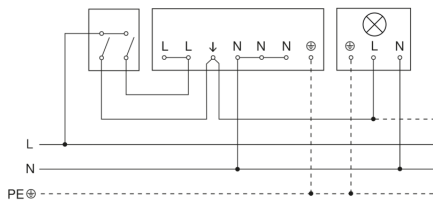
COM1 - surface, sq.  
EAN 4007841 033569  
Article number 033569



## Master/slave interconnection circuit diagram



## Connection using two-circuit switch for manual and automatic operation



## Connection of 4-fold push-button coupler to DALI2 APC

