



SPECIFICATION

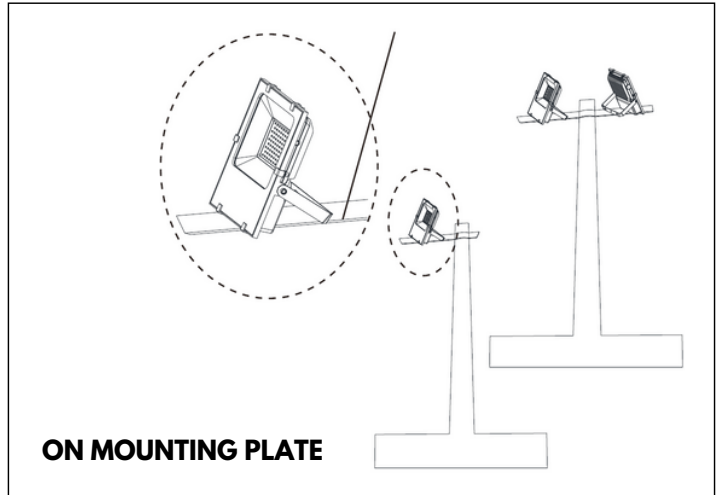
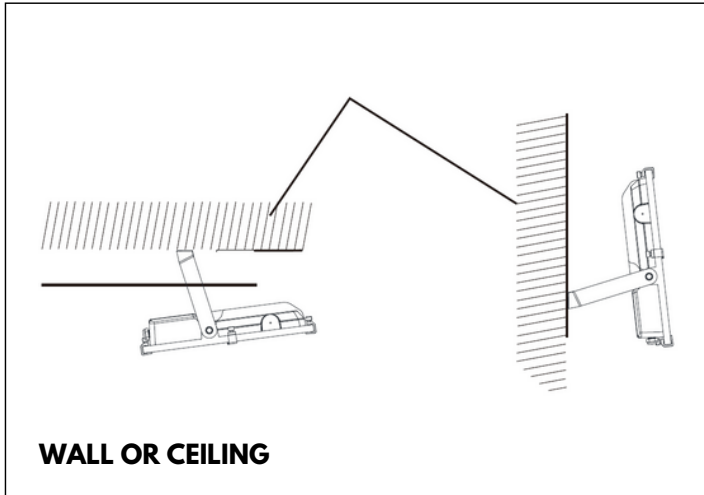
Application	Outdoor Commercial / Residential	Luminous Flux/W	100-110LM/W
Item Type	LED Flood Light	Lamp Luminous	Refer Model Spec
Brand	Cahaya LED	Power Factor	PF0.6
Series	FL3 Series	Beam Angle	90°
Wattage	Refer Model Spec	IP Rating	IP65
Input Voltage	AC100-265V 50/60Hz	Working Temp.	-25°C~45°C
Color Temp.	RGB With Controller	Body Material	Aluminum + PC Lens
LED Quantity	Refer Model Spec	Body Color	Grey
CRI	Ra>70	Package	Refer Model Spec

MODEL

Part No.	Wattage	Product Size (mm)	Lamp Luminous	LED Quantity	Packing/Carton
FL3-10RGB	10W	130*25*100	1000-1100LM	12 Pcs	100 Unit
FL3-30RGB	30W	162*25*135	3000-3300LM	36 Pcs	60 Unit
FL3-50RGB	50W	190*25*165	5000-5500LM	72 Pcs	40 Unit
FL3-100RGB	100W	230*25*195	10000-11000LM	144 Pcs	30 Unit



INSTALLATION METHOD



Applied into gym, stadium, square, station, park, parking lot, events and other place where industrial lighting is needed. This product can be also installed on the wall or ceiling. RGB lighting designed with controller suitable for festive celebrations, event or parties. Besides outdoor application, it can also be used as indoor light such as for workshop, warehouse and construction site.

INSTALLATION INSTRUCTION

- Connect the flood light cable seamlessly to avoid any unwanted electric leakage situation.
- Take measures to avoid water and electric leakage when connecting the driver.
- Make sure to power off before performing any installation, please let the professional electrician to install it.
- 0.75mm²*3 cores line, the brown line is fire line, the blue line is null line and the yellow and green line is the ground line.

