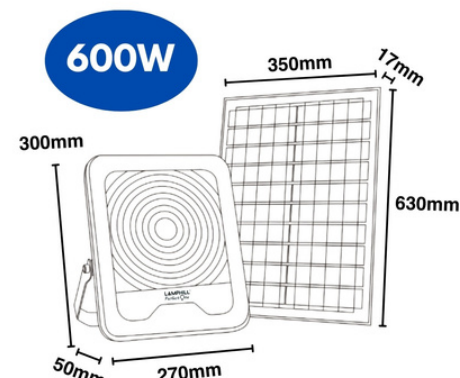
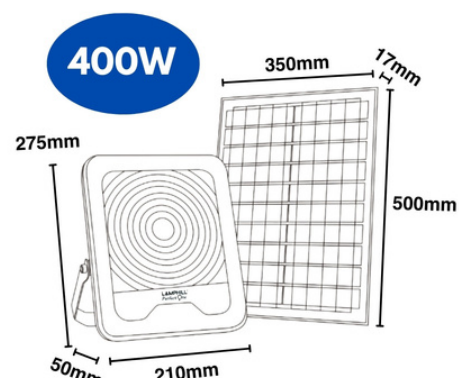
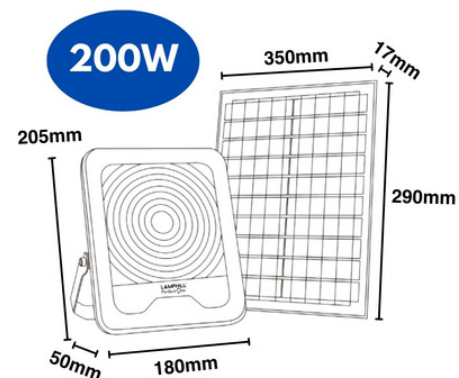




SF3 SERIES

SOLAR FLOOD LIGHT

SPECIFICATION	SF3-20065	SF3-40065	SF3-60065
Type	Solar Flood Light		
Power	200W	400W	600W
Lumen	800LM	2600LM	3200LM
Size (mm)	205*180*50	275*210*50	300*270*50
Solar Panel Power	6V/16W	6V/30W	6V/40W
Solar Panel Size (mm)	350*290*17	350*500*17	350*630*17
Lithium Battery	12Ah/3.2V	24Ah/3.2V	36Ah/3.2V
Carton	10 Unit/Carton	5 Unit/Carton	5 Unit/Carton
Material	Aluminum Die-Cast		
Working Time	12 - 24 Hours		
Charge Time	6 - 8 Hours		
Color Temp.	6500K		
Beam Angle	90°		
IP Rating	IP66		
Application	Outdoor		
Function	Intelligent Optical Control + Remote Control		



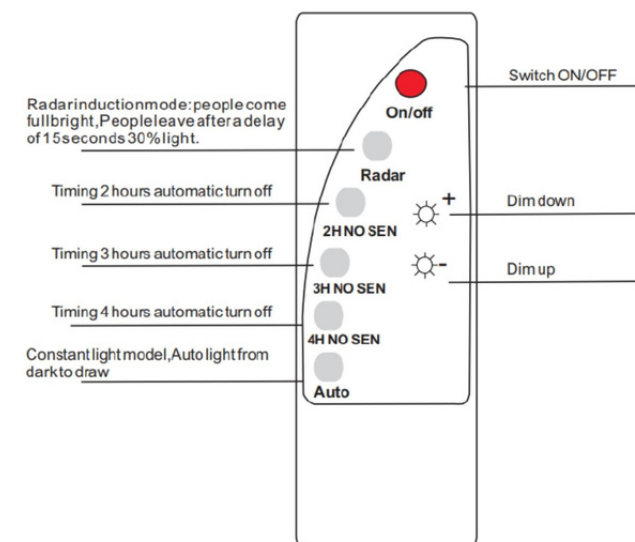
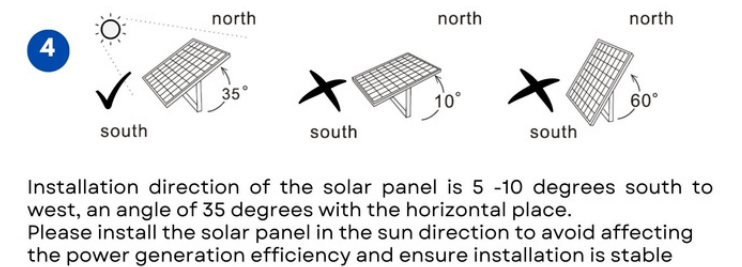
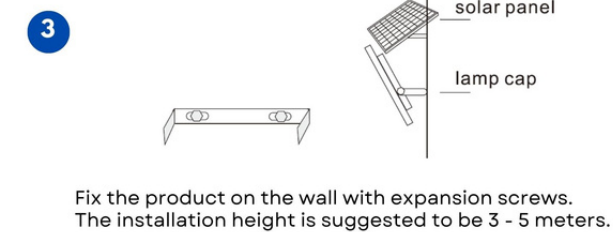
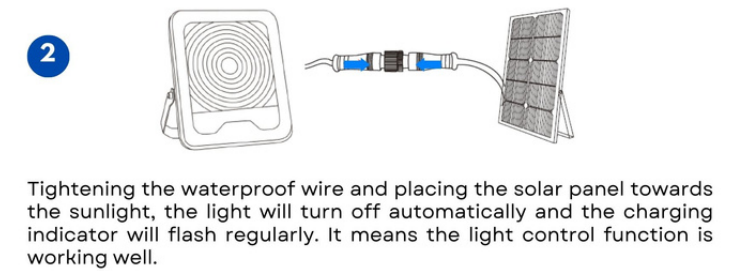
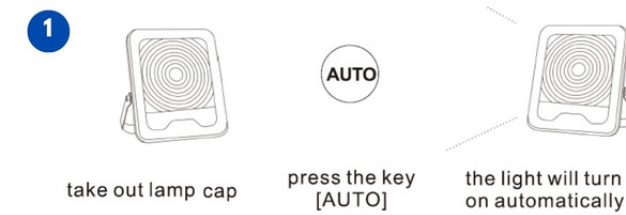
WHAT'S INCLUDED INSIDE

1. Lamp Cap
2. Solar Panel
3. Remote Control
4. Installing Support
5. Screws
6. Operating Manual

APPLICATION AREA



INSTALLATIONS & SETTINGS



LIGHT-OPERATED MODE

Tightening the waterproof wire and pressing the key "AUTO", the light will automatically turn on in the dark and turn off to charge in the day.

The remote control has memory function that will memorize the settings that you have set.

A Suitable and ideal application for outdoor area such as factories and resident houses.

SMART LIGHTNING

Automatic function which will auto charge during the day and auto light in night.

- ☑ Weatherproof design suitable for outdoor
- ☑ Save your cost for electric bills
- ☑ Quality assurance & safe to install outdoor
- ☑ Smart lightning, no need to adjust manually