

BSLight SOLAR

LED SOLAR STRIP LIGHT

APPLICATION

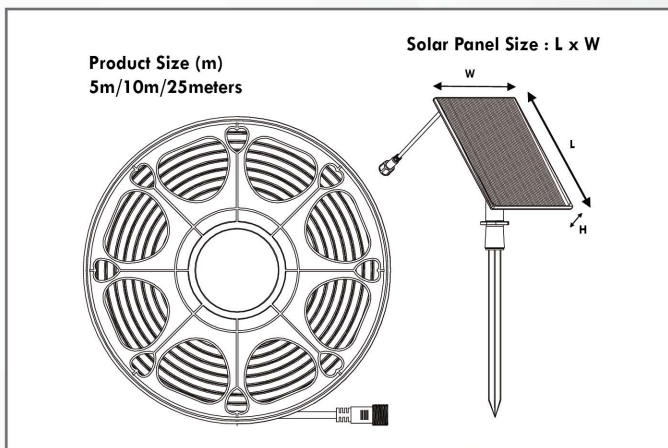
- Ideal for Indoor and Outdoor house, Stadiums, Pathway, Garden and Hotel, and Event.

FEATURES

- High Brightness and Longer Lighting Time.
- Product Can Be Bent, Folded and Cut At Will.
- Easy Installation, Strong Adhesive.
- Quality Time LifePO4 Battery
- Product Material ABS+PVC.
- Have 3 power modes Immersion light (no flashing), Dimmer (Dim) and Fast and Slow flashing.



MODEL	Size (m)	COLOR	Solar Panel Size L x W x H (mm)	Solar Panel	BATTERY	PACKING
BSSLST-05M	5	GOLDEN/RGB	140 x 85 x 30	1.8W/5V	1800mAH	30
BSSLST-10M	10	GOLDEN/RGB	208 x 170 x 30	5W/5V	4000mAH	15
BSSLST-25M	25	GOLDEN/RGB	296 x 201 x 40	10W/5V	8000mAH	4



SOLAR 5-5