

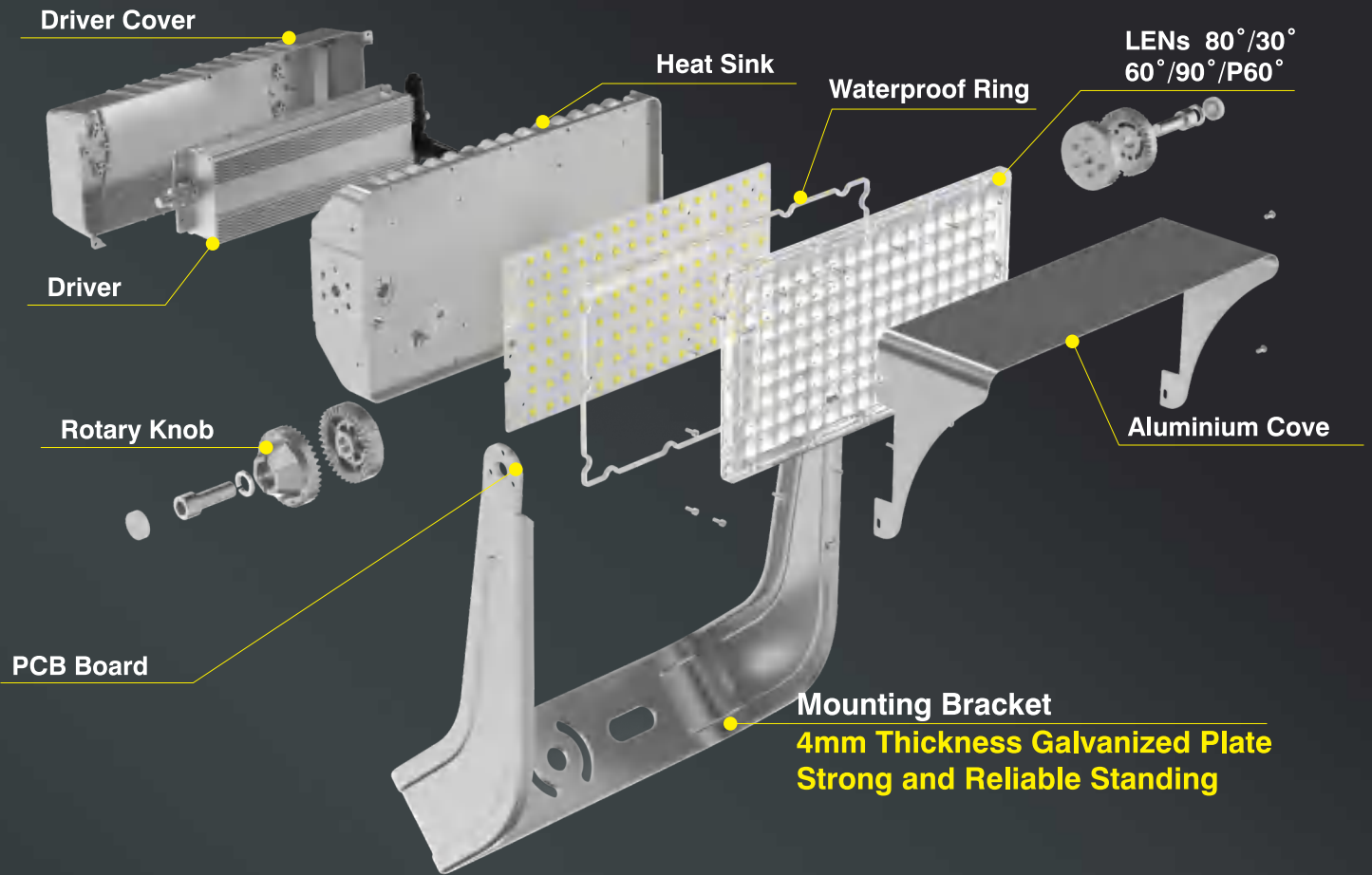


## HIGH MAST FLOOD LIGHT

## LINKE Series

FL23L-JL: Available in 200 / 250 / 400 / 500 / 600 / 1600 / 750 / 1000 / 1250W models

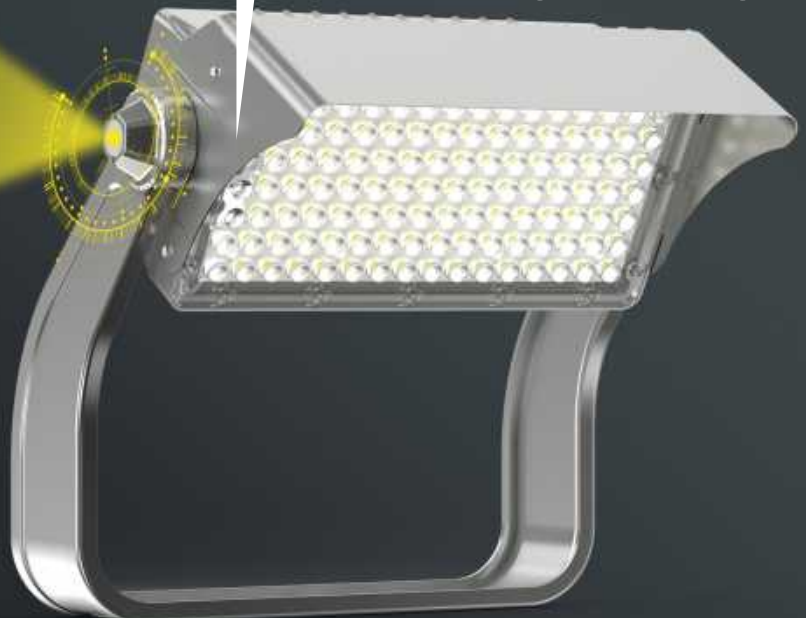
**Product Orientation:** The innovative luminaire with precise optical control and heat radiating fins for superior thermal management which is ideally suited for the most challenging applications. Robust mounting bracket and unique structural design provides secure standing. Additional option with ZHAGA base is available for intelligent control.

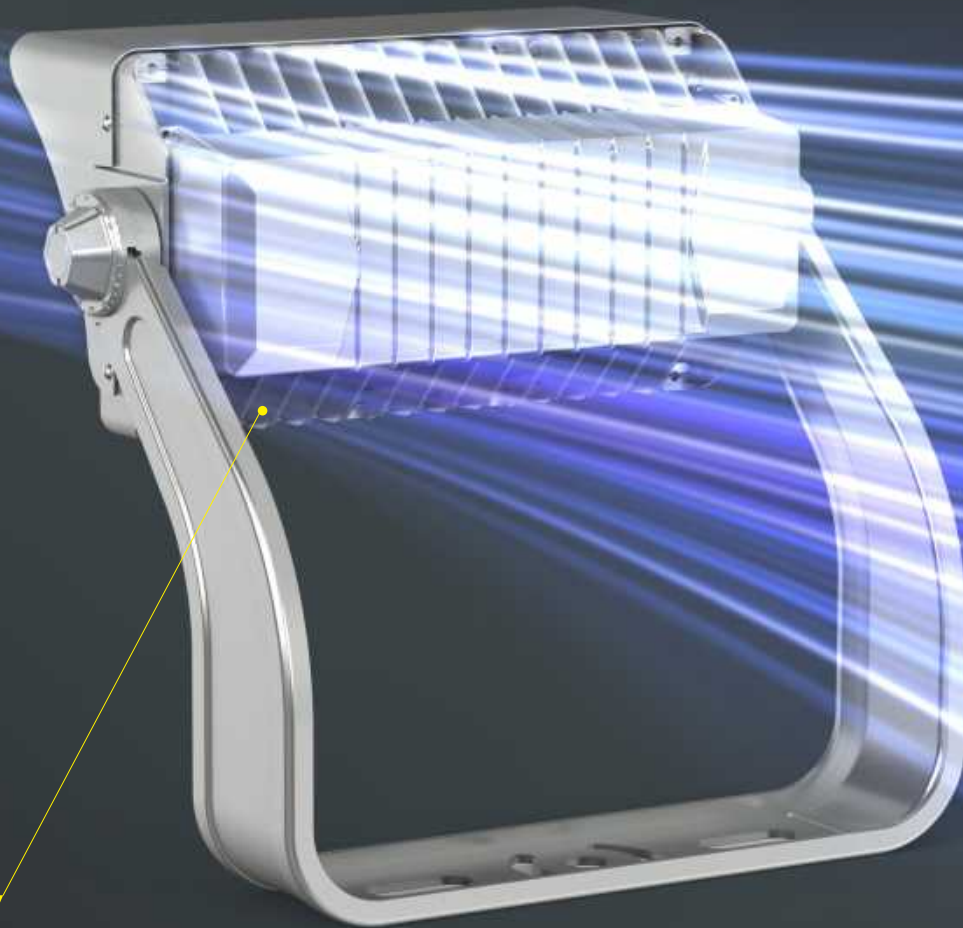


180°



Fortified Rotary Knob  
Reliable Tight Locking

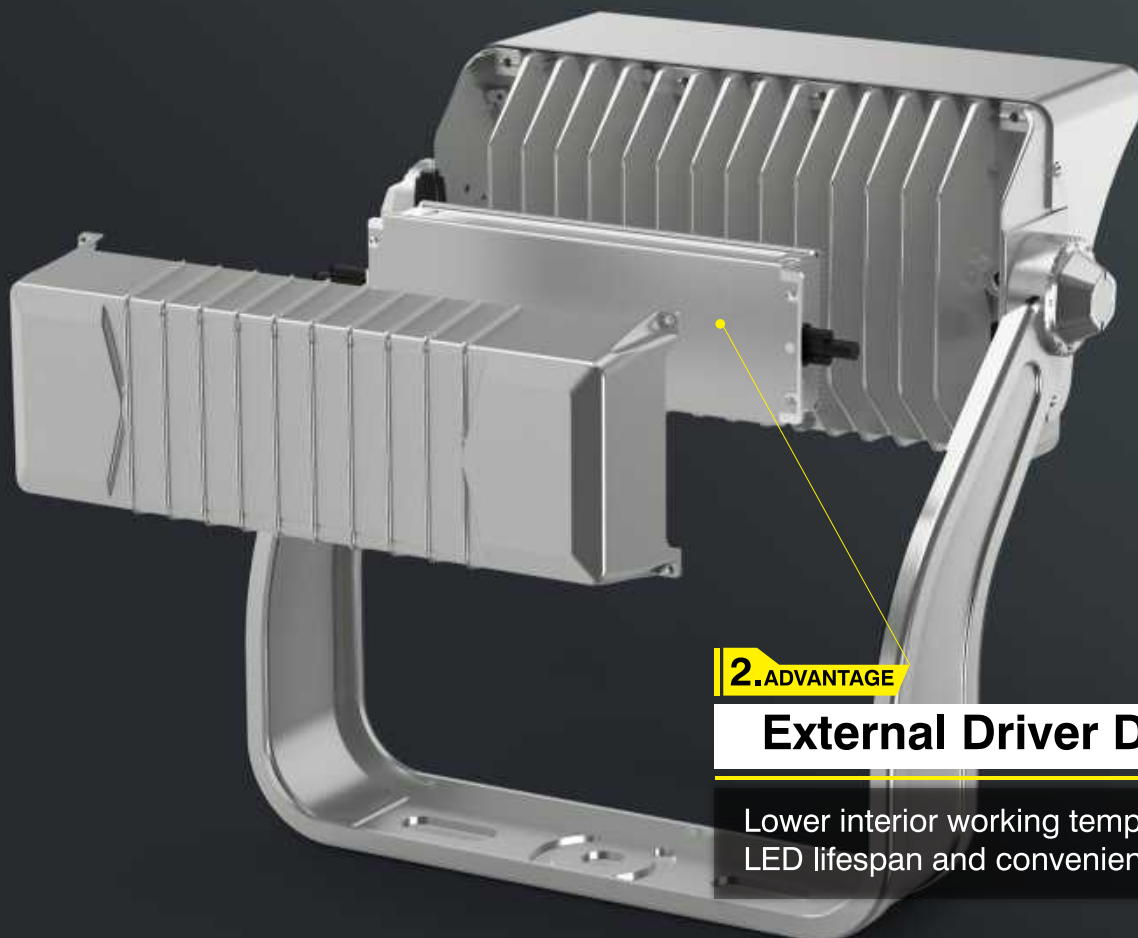




**1.ADVANTAGE**

## Excellent Structural Design

Provide better heat dissipation and Waterproof



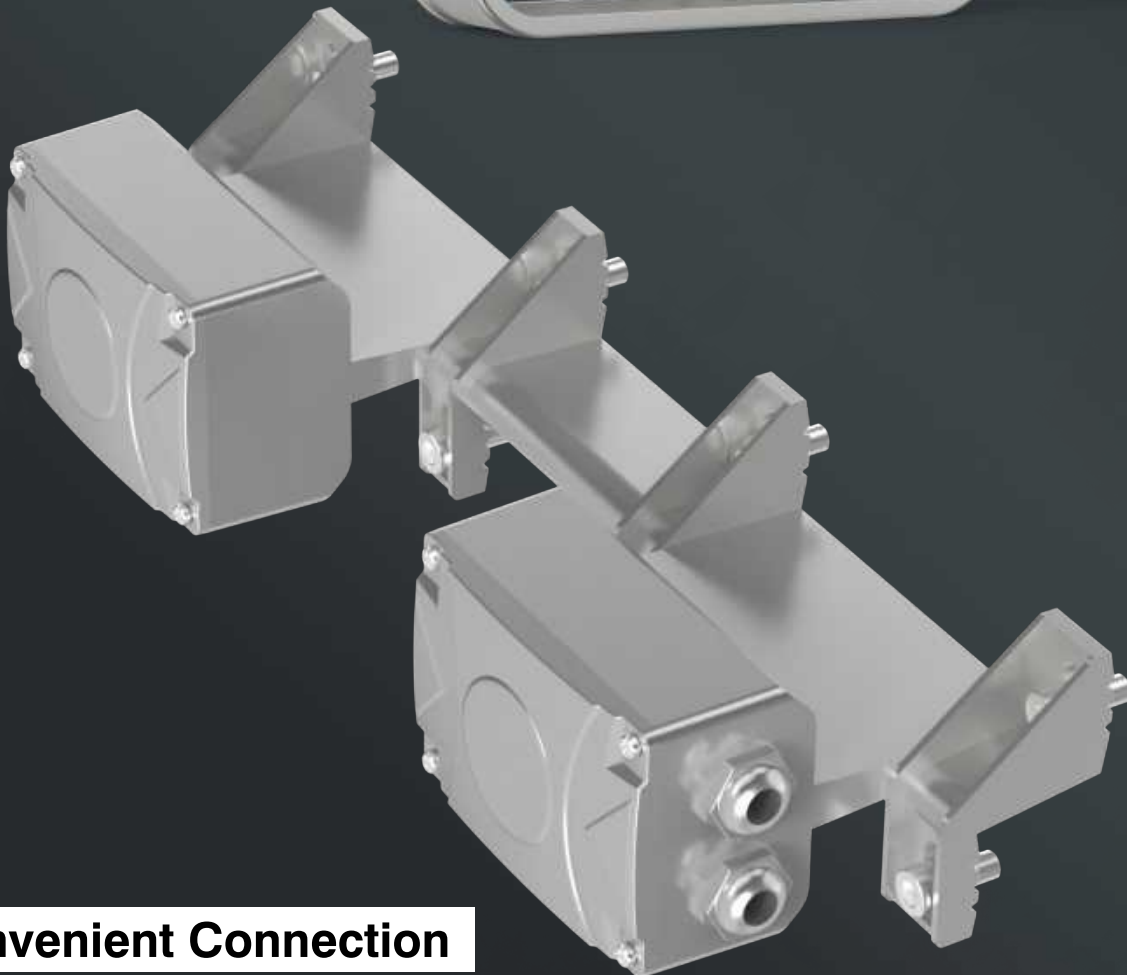
**2.ADVANTAGE**

## External Driver Design

Lower interior working temperature to extend LED lifespan and convenient maintainence

**3.ADVANTAGE**

**Easy Linkable**



**Convenient Connection**



**2 LED Modules**  
**500W**



FL23L-JL

LINK Series

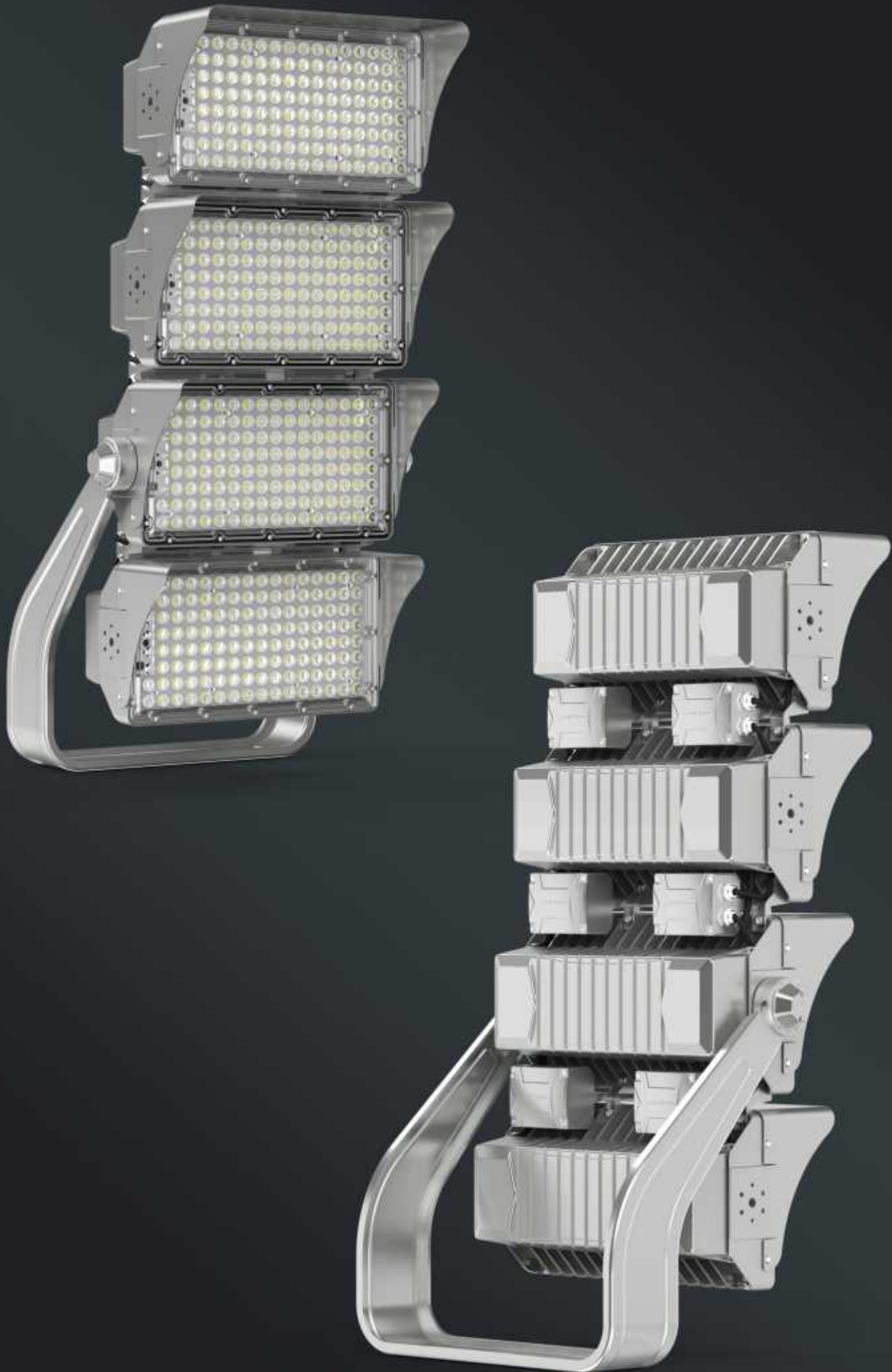


**3 LED Modules**  
**750W**





**4 LED Modules**  
**1000W**



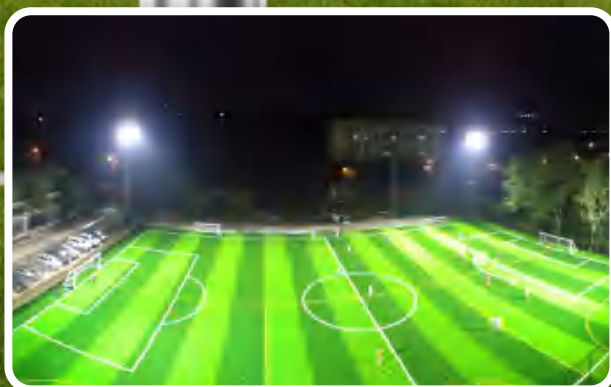
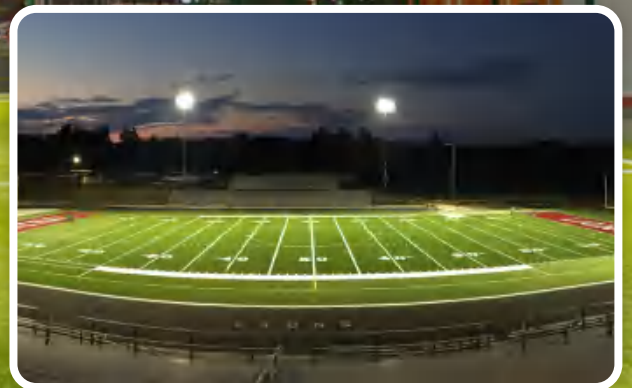
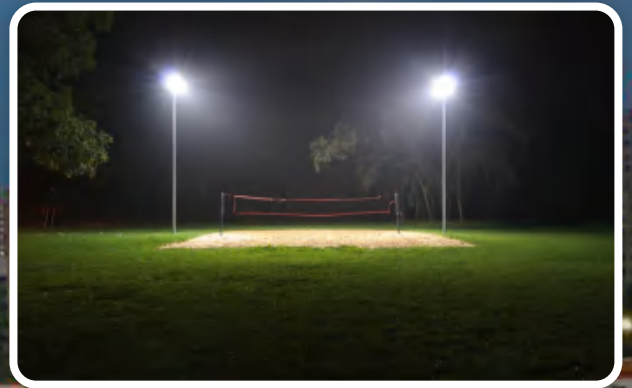


**5 LED Modules**  
**1250W**





**Wide Application  
For  
Large Area Lighting**





FL23L-JL

LINK Series