

LED Solar Flood light

ZDLS3016



Product Features

- Efficient black monocrystalline silicon solar panels with a conversion rate of 21.8% and above;
- The solar panels are individually designed with a high-strength aluminum frame;
- Intelligent battery management system combined the functions of hibernation mode, light control and illumination control;
- Remote control to dim the luminaires with preset procedure;
- Robust outdoor use ABS housing ensures high strength and long-lasting lifespan;
- High quality Lithium Iron phosphate battery, more than 2000 times battery charge and discharge cycles

Application

- Yard
- Residential
- Parking lot
- Country road



LED Solar Flood light

ZDLS3016



General Information Data

Electrical parameters	
Rated Voltage	5VDC
Safety Class	Class III
Life Data	
Life Time(L70)	25000h
Switch Times	-
Operation Data	
IP/IK	IP65/IK05
Operating Temperature	-10°C~+50°C
Storage Temperature	-20°C~+60°C
Mechanical Data	
Housing Material	ABS
Cover Material	Glass

Photoelectric Parameter

Model	Equivalent Watts (W)	Rated Watts (W)	Luminous Flux (lm)	Ra	Beam Angle
ZDLS3016	100W	7W	1000	80	90°
ZDLS3016	200W	15W	2000	80	90°
ZDLS3016	400W	25W	4000	80	90°
ZDLS3016	600W	38W	6000	80	90°

Battery Parameter

Model	Type	Capacity	Current (A)	Charging Time	Lighting Time (automatic mode)
ZDLS3016	LiFePO4	3.2V 5AH	0.6A	6~8h	10~12h
ZDLS3016	LiFePO4	3.2V 15AH	1.7A	6~8h	10~12h
ZDLS3016	LiFePO4	3.2V 20AH	2.6A	6~8h	10~12h
ZDLS3016	LiFePO4	3.2V 30AH	4A	6~8h	10~12h

LED Solar Flood light

ZDLS3016

MEGAMAN®

PRODUCT DATASHEET

100W/ 200W/ 400W/ 600W

Luminance Curve



Intelligent battery management system

“Hibernation mode” is set before leaving the factory to ensure the battery capacity, to be activated before use, Just press the “wake up” key.

Auto mode and timer setting

light up when it's dark, and change the brightness as bellow

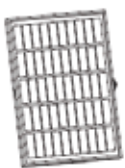
Time	0H	0.5H	1st H	2nd H	3rd H	4th H	5th H	6th H	7th H	8th H	9th H	10th H	11th H	12th H	Daytime
AUTO	100%	decline from 100% to 70%	70%	70%	60%	50%	50%	40%	30%	20%	20%	20%	60%	60%	OFF
3H	100%		70%	70%	60%	OFF									
5H	100%		70%	70%	60%	50%	50%	OFF							
8H	100%		70%	70%	60%	50%	50%	40%	30%	20%	OFF				



Solar Panel Parameter

Model	Type	Panel Material	Color	Frame material	Wire length
ZDLS3016 LED100	5V/6W	Monocrystalline Silicon	Black	Aluminum	3m
ZDLS3016 LED200	5V/15W	Monocrystalline Silicon	Black	Aluminum	3m
ZDLS3016 LED300	5V/25W	Monocrystalline Silicon	Black	Aluminum	3m
ZDLS3015 LED500	5V/35W	Monocrystalline Silicon	Black	Aluminum	3m

Accessories



1pcs



1pcs



1pcs



2pcs



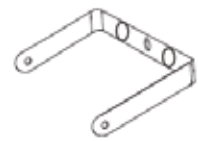
2pcs



2pcs



2pcs



1pcs

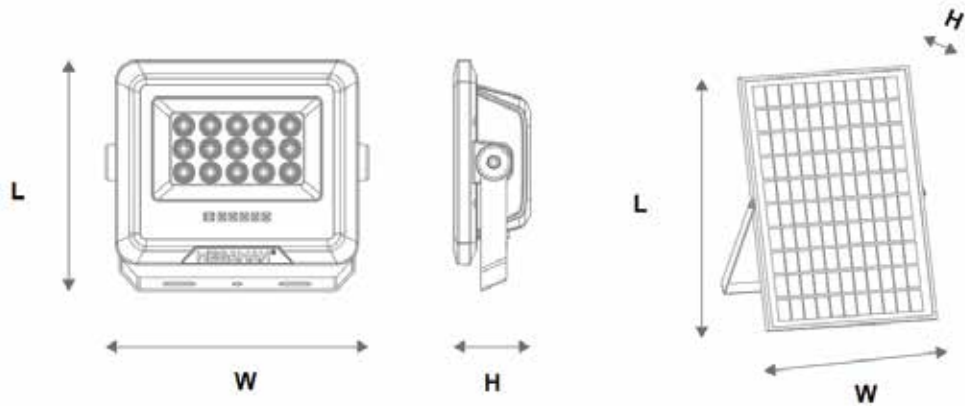
LED Solar Flood light

ZDLS3016

MEGAMAN®

PRODUCT DATASHEET

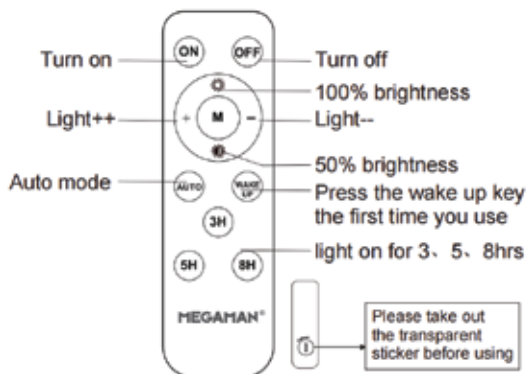
100W/ 200W/ 400W/ 600W



Dimensional Drawing & Packaging Information

Model	Lamp Size (L*W*H)mm	Panel Size (L*W*H)mm	Color Box (L*W*H)mm	Outer Box (L*W*H)mm	Packaging Unit (PCS/CTN)
ZDLS3016 LED100	228*198*67	210*200*17	23.7*10.7*22.3	55.5*48.5*24.5	10
ZDLS3016 LED200	295*252*67	390*235*17	40.5*10.7*26.7	55.5*41.5*29	5
ZDLS3016 LED300	356*300*71	390*375*17	40.7*11.5*39.5	48*42*41.5	4
ZDLS3015 LED500	406*438*79	390*510*17	52.5*12*41.2	54*25.5*43.5	2

Setting Of The Remote



Under automatic mode, the light will automatically turn on when its dark and automatically turn off the light in the morning(into charging mode).

Cautions

- Do not connect more than 5V photovoltaic panels to avoid damage to LED solar floodlights;
- Do not connect high voltage like 220V~ AC to avoid damage to LED solar floodlights;
- Please clean the surface of the solar panel every three months to avoid affecting the conversion efficiency.