

LED ECO SPOT LITE



Highlights:

- Chromed reflector design
- High efficacy
- Various CCT and wattage
- Long 15,000hr lifetime

Application Areas:

- Offices
- Shops
- Hotels
- Restaurants
- Corridors

Advancing Light

One of the World's leaders in general lighting for lighting professionals as well as end users, offering



A broad variety of LED luminaires



Advanced LED lamps



Intelligent, networked Smart Home & Smart Building solutions



Traditional light sources

LED ECO SPOT LITE



Product Features:

- Chromed reflector design
- Available in 6W and 8W
- 36° beam angle
- High efficacy up to 90lm/W
- Standard CCT: 3000K, 4000K and 6500K
- 35° maximum adjustable angle
- Flicker-free
- 15,000-hour lifetime
- EMC suppression circuit in driver
- Compliance certificates: CB, EU RoHS 2.0

Product Benefits:

- The chromed reflector and PMMA lens ensure excellent light distribution.
- Stable color performance with maximum SDCM of 5 and high color rendering for vivid and accurate color representation.
- The maximum adjustment angle of 35° enhances flexibility and the convenience of installation.
- Various wattages and CCT options available for customized lighting solutions to meet different preferences and requirements.
- Direct connection to AC power supply thanks to integrated control gear.
- Long 15,000-hour lifetime reduces maintenance costs and ensures reliable, long-lasting performance.

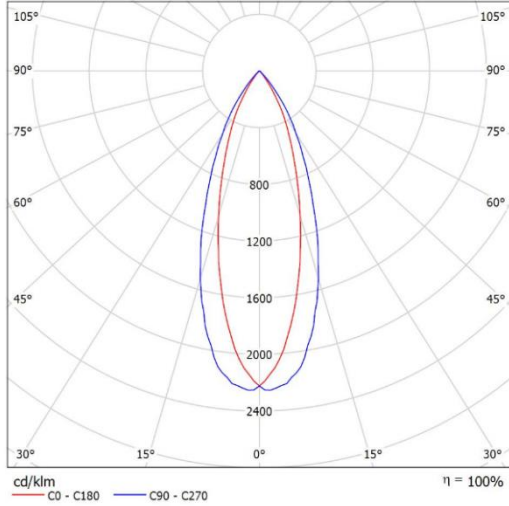


Product Information

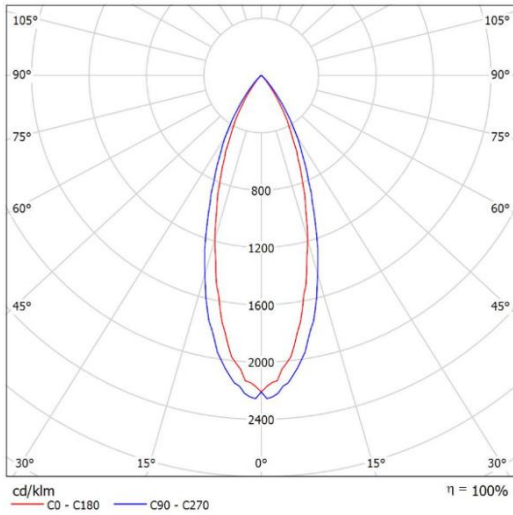
LED ECO SPOT LITE		3" 6W	3" 8W
Electrical	Wattage (W)	6	8
	Voltage range (V)	220...240	
	Input current (mA)	55	73
	Line frequency (Hz)	50...60	
	Power factor	> 0.5	
	Displacement factor	> 0.7	
	Surge protection (V)	500 (L-N)	
	Protection class	Class II	
	EMC circuit	Yes	
	Flicker percentage (%)	5%	
	Dimming	No	
Optical / Photometric	Luminous flux @ 3000K (lm)	500	720
	Luminous flux @ 4000K & 6500K (lm)	540	680
	Luminous intensity @ 3000K (cd)	950	1450
	Luminous intensity @ 4000K & 6500K (cd)	1000	1500
	Efficacy @ 3000K (lm/W)	85	85
	Efficacy @ 4000K & 6500K (lm/W)	90	90
	CCT options (K)	3000 / 4000 / 6500	
	CRI	> 80	
	SDCM	< 5	
	Beam angle (°)	36	
	LED type	SMD 2835	
	Photo-biological safety	RG1	
	Mechanical	Housing material	Plastic
Frame material		Plastic	
Lens material		PMMA	
Reflector material		Chromed coated PC	
Max adjustable angle (°)		35	
Dimension (D x H mm)		90 x 38	
Cutout (mm)		75 ± 5	
Ingress protection		IP20	
IK rating		IK02	
Lifetime & others	Shape of housing	Round	
	Rated lifetime (h)	15,000 @ L70 (Ta=45°C)	
	Operating temperature (°C)	-10...+45	
	Storage temperature (°C)	-20...+80	
	Mounting type	Recessed	
	Mounting location	Ceiling	
	Certification	CB, EMC, RoHS	
Product weight (g)	76		

Polar Intensity Diagram

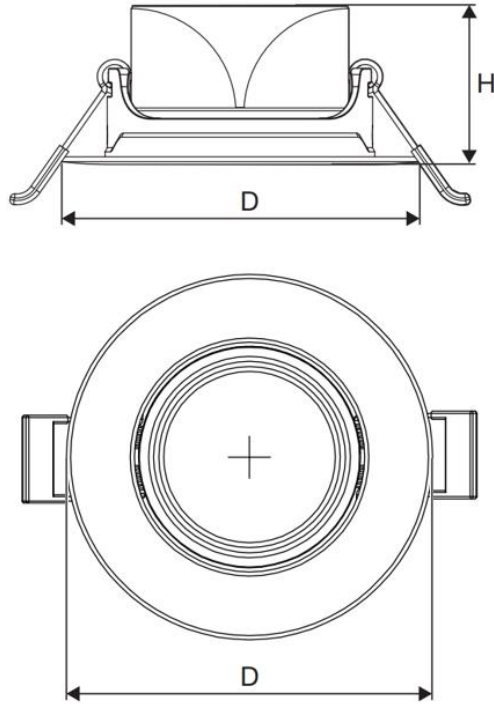
6W



8W



Drawing / Dimensions



Description	D (mm)	H (mm)	Cutout (mm)	Weight (g)
LED ECO SPOT LITE R30 6W	90	38	75 ± 5	76
LED ECO SPOT LITE R30 8W				

Ordering Information

Description	Model Number	Shipping quantity	EAN10	EAN40
LDECO SP LITE R30 6W 830 36D	E-SP-RD30-6W36D-830	50	4099854089763	4099854089770
LDECO SP LITE R30 6W 840 36D	E-SP-RD30-6W36D-840	50	4099854089787	4099854089794
LDECO SP LITE R30 6W 865 36D	E-SP-RD30-6W36D-865	50	4099854089800	4099854089817
LDECO SP LITE R30 8W 830 36D	E-SP-RD30-8W36D-830	50	4099854089824	4099854089831
LDECO SP LITE R30 8W 840 36D	E-SP-RD30-8W36D-840	50	4099854089848	4099854089855
LDECO SP LITE R30 8W 865 36D	E-SP-RD30-8W36D-865	50	4099854089862	4099854089879