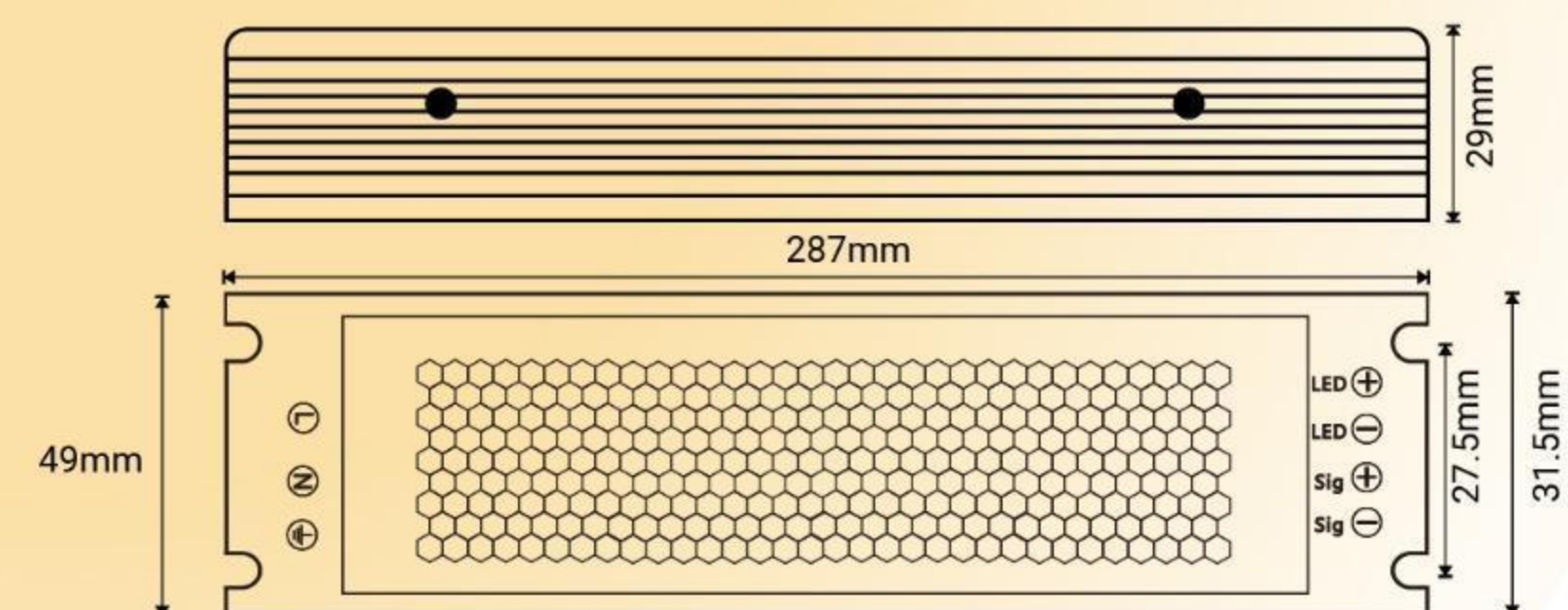
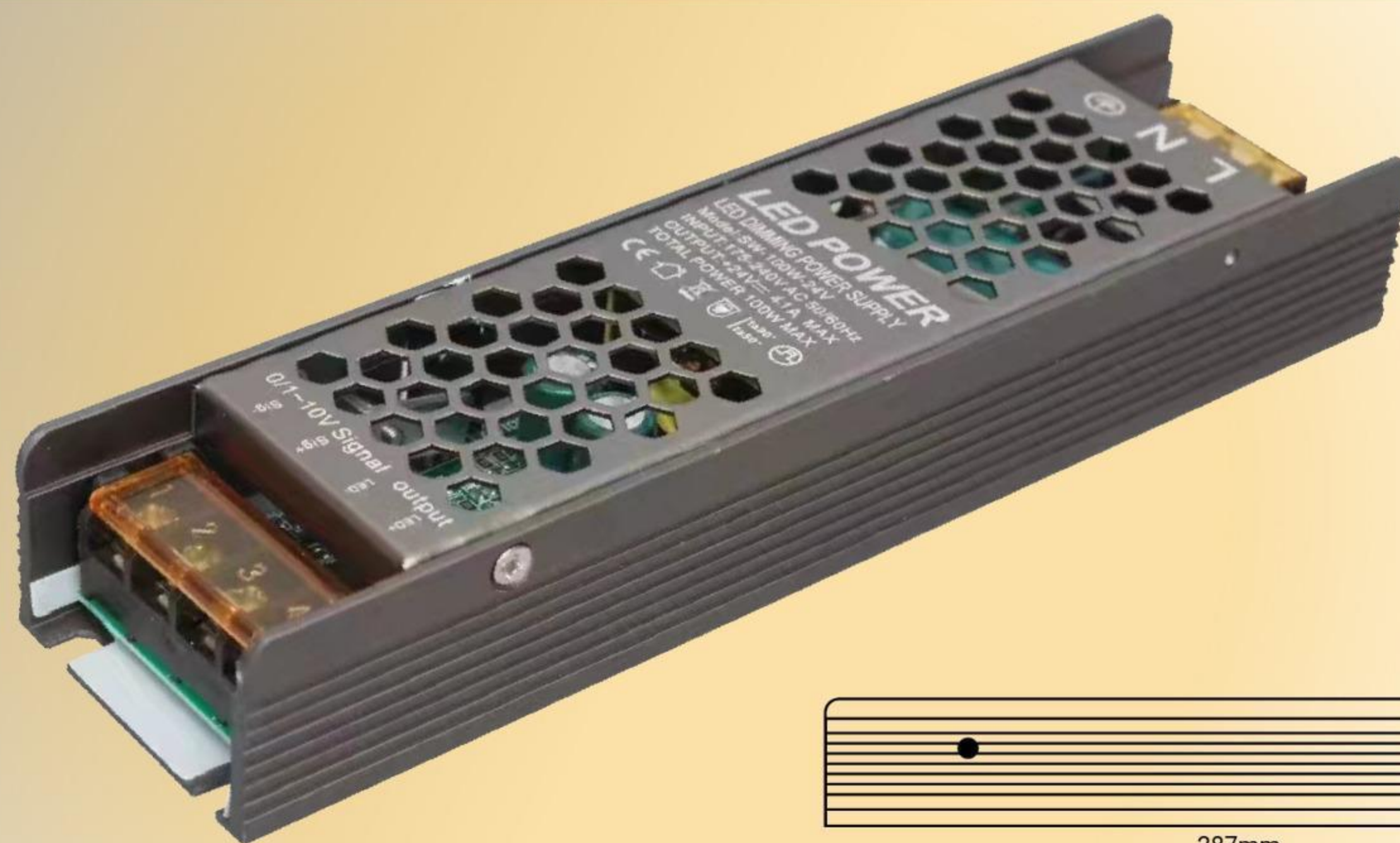


- *AC180-265V
- *Short circuit Protection
- *Overload / Overvoltage Protection
- *Support Triac & 0/1-10V Dimming System

BML-PSDM-200W-24V-8.3A

Description	: LED DIMMING POWER SUPPLY
Dimming System	: Triac Dimming / 0/1-10V
Body Material	: Aluminium
Input Voltage	: AC180-265V~50/60Hz
Output Voltage	: DC24V 200W-8.3A
Dimming Range	: 0-8.3A
Safety Standard	: IEC61347-2-13:2014+A1, IEC61347-1:2015+A1
Working TEMP.	: -20~+50°C
Body Colour	: Grey
Weight	: 400g
Qty / Ctn	: 50pcs/Ctn



Dimming Operation

