



LED Slim Downlight EcoMax II SM

Features

- High Lumen Output
- Long lifespan
- Easy Installation
- Looking Good

Benefits

- Up to 50% energy saving compared to conventional downlight
- Lasts 3 times longer than conventional downlight, up to 30000hrs lifetime
- Light housing and driver on board design ensure 1 step plug-and-play
- A slim, stylish body gives this luminaire a modern aesthetic that brings beauty to any space

Application



Home



Shopping Mall



School



Hospital

Specification

Item Code	Item Description	Power (W)	Power Factor	Lumen (lm)	Efficacy (lm/W)	Beam Angle (°)	CRI	Input Current (mA)	CCT (K)	Lifetime (L70B50)	MOQ (pcs)
540002024810	LEDDownlightSm-HPF ESII R100-6W-3000-WH	6	0.9	540	90	110	>80	30	3000	30000	600
540002024310	LEDDownlightSm-HPF ESII R100-6W-4000-WH	6	0.9	540	90	110	>80	30	4000	30000	600
540002024710	LEDDownlightSm-HPF ESII R100-6W-6500-WH	6	0.9	540	90	110	>80	30	6500	30000	600
540002024610	LEDDownlightSm-HPF ESII R150-12W-3000-WH	12	0.9	1080	90	110	>80	65	3000	30000	600
540002024910	LEDDownlightSm-HPF ESII R150-12W-4000-WH	12	0.9	1080	90	110	>80	65	4000	30000	600
540002025310	LEDDownlightSm-HPF ESII R150-12W-6500-WH	12	0.9	1080	90	110	>80	65	6500	30000	600
540002024510	LEDDownlightSm-HPF ESII R200-18W-3000-WH	18	0.9	1620	90	110	>80	90	3000	30000	600
540002024210	LEDDownlightSm-HPF ESII R200-18W-4000-WH	18	0.9	1620	90	110	>80	90	4000	30000	600
540002025010	LEDDownlightSm-HPF ESII R200-18W-6500-WH	18	0.9	1620	90	110	>80	90	6500	30000	600
540002025210	LEDDownlightSm-HPF ESII R200-24W-3000-WH	24	0.9	2160	90	110	>80	120	3000	30000	600
540002025110	LEDDownlightSm-HPF ESII R200-24W-4000-WH	24	0.9	2160	90	110	>80	120	4000	30000	600
540002024410	LEDDownlightSm-HPF ESII R200-24W-6500-WH	24	0.9	2160	90	110	>80	120	6500	30000	600
540002023010	LEDDownlightSm-HPF ESII S100-6W-3000-WH	6	0.9	540	90	110	>80	30	3000	30000	600
540002023810	LEDDownlightSm-HPF ESII S100-6W-4000-WH	6	0.9	540	90	110	>80	30	4000	30000	600
540002024010	LEDDownlightSm-HPF ESII S100-6W-6500-WH	6	0.9	540	90	110	>80	30	6500	30000	600
540002023410	LEDDownlightSm-HPF ESII S150-12W-3000-WH	12	0.9	1080	90	110	>80	65	3000	30000	600
540002023210	LEDDownlightSm-HPF ESII S150-12W-4000-WH	12	0.9	1080	90	110	>80	65	4000	30000	600
540002023510	LEDDownlightSm-HPF ESII S150-12W-6500-WH	12	0.9	1080	90	110	>80	65	6500	30000	600
540002023710	LEDDownlightSm-HPF ESII S200-18W-3000-WH	18	0.9	1620	90	110	>80	90	3000	30000	600
540002023610	LEDDownlightSm-HPF ESII S200-18W-4000-WH	18	0.9	1620	90	110	>80	90	4000	30000	600
540002024110	LEDDownlightSm-HPF ESII S200-18W-6500-WH	18	0.9	1620	90	110	>80	90	6500	30000	600
540002023910	LEDDownlightSm-HPF ESII S200-24W-3000-WH	24	0.9	2160	90	110	>80	120	3000	30000	600
540002023310	LEDDownlightSm-HPF ESII S200-24W-4000-WH	24	0.9	2160	90	110	>80	120	4000	30000	600
540002023110	LEDDownlightSm-HPF ESII S200-24W-6500-WH	24	0.9	2160	90	110	>80	120	6500	30000	600

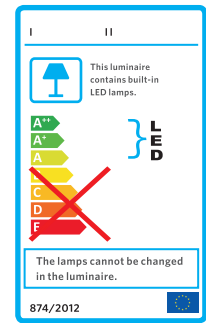
Technical Specifications	
CRI	80
Colour Consistency (SDCM)	≤5
Dimmable	No
Housing Colour	White
IP	IP20
IK	IK02
Driver integrated (Yes/No)	Yes
Glow wire test	650°C
Driver failure rate	1% at 5000h
Weight (pc/kg)	0.187/0.322/0.557/0.557 0.227/0.387/0.687/0.687

Electrical Supply	
Frequency (Hz)	50/60
Voltage (V)	220-240
AC/DC	AC

Mechanical Properties	
Optical Material	PP+Irom
Housing Material	PMMA

Application Conditions	
Operating Temperature	-15-45°C
Application Temperature	25°C
Storage Environment	-25-50°C

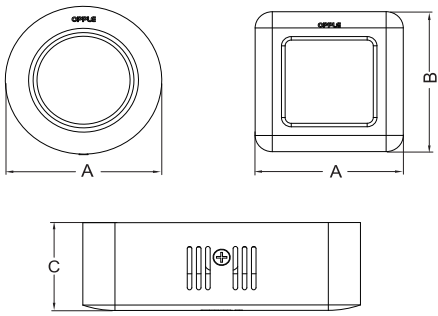
CE CB



Packaging Information

Item		Single Box(1pc/box)		Outer box		
Item Code	Item Description	Dimensions(mm) (LxWxH)	Gross Weight (kg)	Dimensions(mm) (LxWxH)	Gross Weight (kg)	Packing Qty (pcs/CTN)
540002024810	LEDDownlightSm-HPF ESII R100-6W-3000-WH	129*46*132	0.248	405*250*285	7.44	30
540002024310	LEDDownlightSm-HPF ESII R100-6W-4000-WH	129*46*132	0.248	405*250*285	7.44	30
540002024710	LEDDownlightSm-HPF ESII R100-6W-6500-WH	129*46*132	0.248	405*250*285	7.44	30
540002024610	LEDDownlightSm-HPF ESII R150-12W-3000-WH	171*46*174	0.418	360*250*370	8.36	20
540002024910	LEDDownlightSm-HPF ESII R150-12W-4000-WH	171*46*174	0.418	360*250*370	8.36	20
540002025310	LEDDownlightSm-HPF ESII R150-12W-6500-WH	171*46*174	0.418	360*250*370	8.36	20
540002024510	LEDDownlightSm-HPF ESII R200-18W-3000-WH	228*46*231	0.715	470*250*250	7.15	10
540002024210	LEDDownlightSm-HPF ESII R200-18W-4000-WH	228*46*231	0.715	470*250*250	7.15	10
540002025010	LEDDownlightSm-HPF ESII R200-18W-6500-WH	228*46*231	0.715	470*250*250	7.15	10
540002025210	LEDDownlightSm-HPF ESII R200-24W-3000-WH	228*46*231	0.715	470*250*250	7.15	10
540002025110	LEDDownlightSm-HPF ESII R200-24W-4000-WH	228*46*231	0.715	470*250*250	7.15	10
540002024410	LEDDownlightSm-HPF ESII R200-24W-6500-WH	228*46*231	0.715	470*250*250	7.15	10
540002023010	LEDDownlightSm-HPF ESII S100-6W-3000-WH	129*46*132	0.288	405*250*285	8.64	30
540002023810	LEDDownlightSm-HPF ESII S100-6W-4000-WH	129*46*132	0.288	405*250*285	8.64	30
540002024010	LEDDownlightSm-HPF ESII S100-6W-6500-WH	129*46*132	0.288	405*250*285	8.64	30
540002023410	LEDDownlightSm-HPF ESII S150-12W-3000-WH	171*46*174	0.483	360*250*370	9.66	20
540002023210	LEDDownlightSm-HPF ESII S150-12W-4000-WH	171*46*174	0.483	360*250*370	9.66	20
540002023510	LEDDownlightSm-HPF ESII S150-12W-6500-WH	171*46*174	0.483	360*250*370	9.66	20
540002023710	LEDDownlightSm-HPF ESII S200-18W-3000-WH	228*46*231	0.845	470*250*250	8.45	10
540002023610	LEDDownlightSm-HPF ESII S200-18W-4000-WH	228*46*231	0.845	470*250*250	8.45	10
540002024110	LEDDownlightSm-HPF ESII S200-18W-6500-WH	228*46*231	0.845	470*250*250	8.45	10
540002023910	LEDDownlightSm-HPF ESII S200-24W-3000-WH	228*46*231	0.845	470*250*250	8.45	10
540002023310	LEDDownlightSm-HPF ESII S200-24W-4000-WH	228*46*231	0.845	470*250*250	8.45	10
540002023110	LEDDownlightSm-HPF ESII S200-24W-6500-WH	228*46*231	0.845	470*250*250	8.45	10

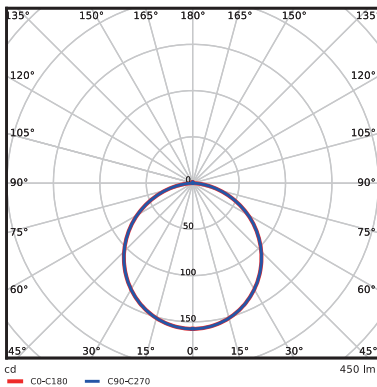
Dimensional Drawing



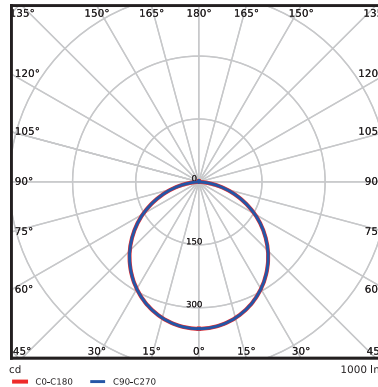
	A(mm)	B(mm)
LED DL-SM-HPF ESII R100 6W	Φ124	40
LED DL-SM-HPF ESII R150 12W	Φ166	40
LED DL-SM-HPF ESII R200 18W	Φ223	40
LED DL-SM-HPF ESII R200 24W	Φ223	40

	A(mm)	B(mm)	C(mm)
LED DL-SM-HPF ESII S100 6W	124	124	40
LED DL-SM-HPF ESII S150 12W	166	166	40
LED DL-SM-HPF ESII S200 18W	223	223	40
LED DL-SM-HPF ESII S200 24W	223	223	40

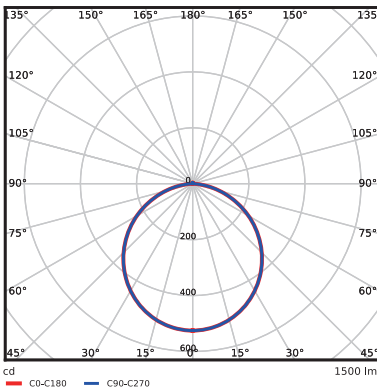
Photometric Data



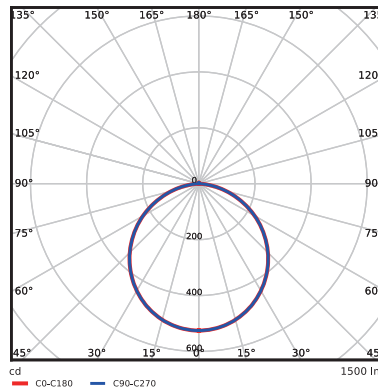
6W



12W



18W



24W

OPPLE SHANGHAI OFFICE

Building V3, The Mixc, 1799 Wuzhong Road,
Minhang District, Shanghai, China

ZIP: 201103

T +86 21 3855 0000

E intersales@opple.com

WWW.OPPLE.COM/EN