

Night Light Downlight Value

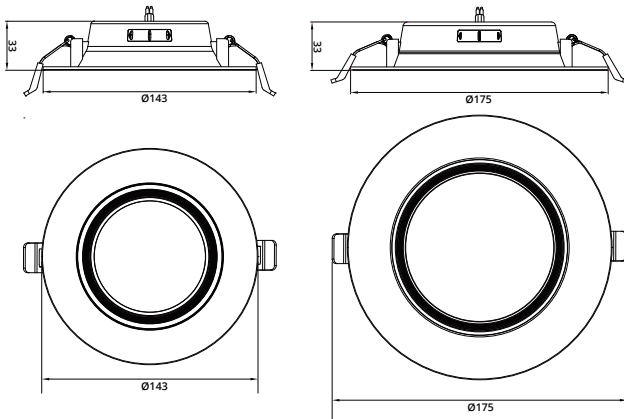
TUNGSRAM™

The nightlight downlight features a built-in 2000K nightlight function, providing a warm and comforting ambiance. Controlled by a wall switch, it allows seamless switching between the main light and the nightlight mode, enabling you to effortlessly create a soothing nighttime atmosphere. Whether you need full brightness or prefer a gentle glow, our lamp caters to your needs, ensuring a serene and comfortable environment.

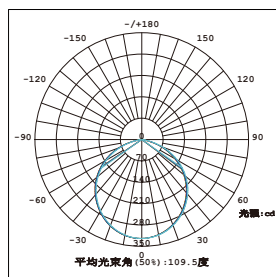


Benefits

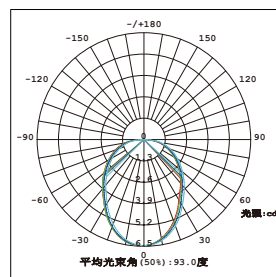
- Total 5 CCTs with the key light(2700K, 3000K, 4000K, 5000K, 6500K), CCT change controlled by switch on lamp
- Night light CCT 2000K
- Key light and night light controlled by wall switch
- Easy installation
- Product height with driver (33mm) fits more ceiling types
- Dimmable



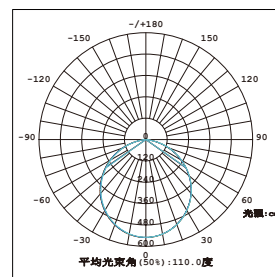
Type	Outer size (mm)	Height (mm)	Cut-out hole (mm)	weight (Kg)
10W	Φ143	33	Φ115-130	0.135
16W	Φ175	33	Φ135-160	0.198



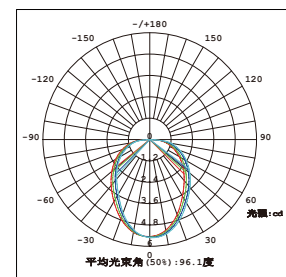
10W 6500K



10W Night light 2000K



16W 6500K



16W Night light 2000K

LED INDOOR SOLUTION
Night Light Downlight

LED 5CCT downlight with night light

TUNGSRAM™

Product Description	Product Code	Wattage (W)	Lumen (lm)	CCT (K)	Dimension (mm)
LED 5CCT downlight with night light					
LED DNL G1 IP20 10W 5CCT ST	93236195	10	650-750	2700/3000/ 4000/5000/6500	Φ143
LED DNL G1 IP20 16W 5CCT ST	93236196	16	1150-1250	2700/3000/ 4000/5000/6500	Φ175

