

Unilumin

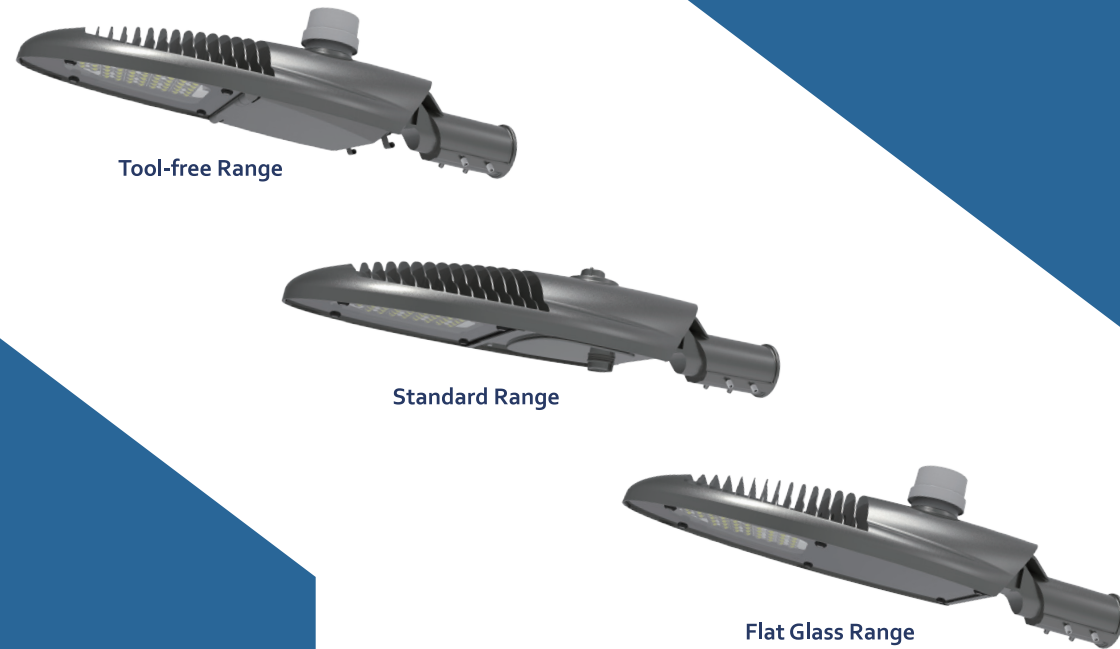
STREET LIGHT SERIES SHARKLITE

Unilumin

Stock Code: 300232



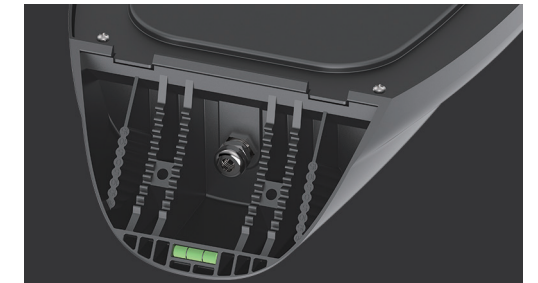
Together, for a brighter future



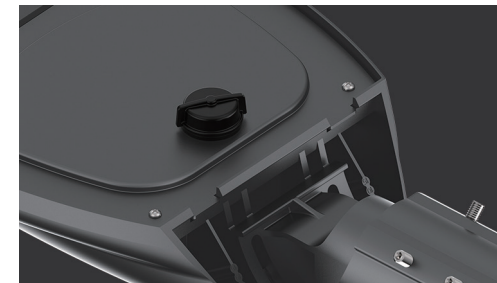
Details



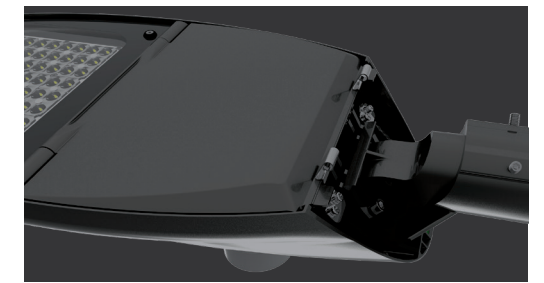
Dark Sky Friendly Optical Design



Adjustable Tilt Steps and Bubble Level



Smart-ready Zhaga or NEMA Receptacle



Tool-free Range (optional)

SHARKLITE SERIES

SharkLite series has been designed for street and urban lighting applications by delivering high quality and performance. SharkLite is future oriented and smart ready with smart sensor interfaces to facilitate smart cities. With explicit optical design, SharkLite produces high visual comfort and is dark sky friendly. Continuing the proven design of Shark legacy, SharkLite has cost advantage and is more versatile and flexible in applications to benefit the users worldwide.

Features & Benefits

- Micro, Mini and Midi three sizes offering 20W to 150W
- Die-casting aluminum housing, robust and durable
- Complete front glass cover type or flat glass type with driver compartment door are available
- Future-proof and smart ready with NEMA and Zhaga interface alternatives
- Standard and tool-free versions are available
- Pleasing and proven product design for a better city image
- Compatible with both post top and side entry installations
- -20° to +15° tilt steps for easy and quick on-site optical compartment adjustment
- Mounting interface $\Phi 42\text{mm}$, $\Phi 60\text{mm}$ and $\Phi 76\text{mm}$ optional
- Bubble level for easier installation
- Precise and multiple highly-yield optical lens cater to extensive applications

MICRO



Model Options



UNI-STB7-1-020 / 030 / 040 / 060

Tool-free Range



UNI-STB7-1-020 / 030 / 040 / 060

Standard Range



UNI-STB7-1G-020 / 030 / 040 / 060

Flat Glass Range

Basic

LED brand: Osram
 Driver brand: Inventronics / MOSO / Osram / Philips
 Insulation Class: Class I / Class II (optional)
 Protection Grade: IP66 / IK08
 Color Temperature: 3000 / 4000 / 5000±300K
 Pole Diameter: Ø60mm / Ø42mm / Ø76mm (optional)

Environment

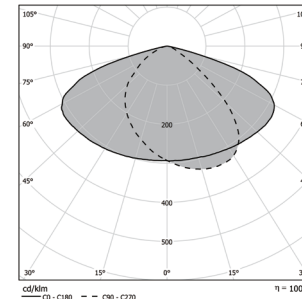
Operating Temperature: -40°C~ 45°C
 Operating Humidity: 10% ~ 90%RH
 Storage Temperature: -40°C~ 55°C

Electronics

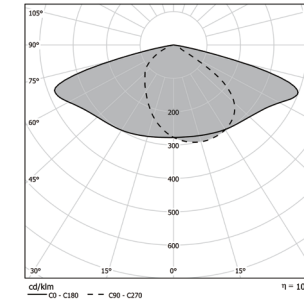
Rated Input Voltage: 100~277V
 Frequency: 50 / 60Hz
 Power Factor: 0.95
 Surge Protection: 10KV / 20KV
 Control Options: Photocontrol (NEMA)
 Timmer Control / 0~10V Dimming
 / DALI Control / NEMA 3 / 5 / 7-pin
 / Zhaga / Solar Compatible (optional)

Structure

Max Projected Area: 0.098m²
 Housing Material: Die Casting Aluminum
 Luminaire Dimension: 613×256×115mm
 Packing Dimension: 540×300×215mm
 Net Weight: 4.5±0.2Kg
 Gross Weight: 5.3±0.2Kg



UNI-540



UNI-618

3030 LED

Power (W)	LED QTY (pcs)	Light Distribution	4000K Ra70@Ta=25 C		3000K Ra70@Ta=25 C	
			Luminaire Efficiency	Luminous Flux	Luminaire Efficiency	Luminous Flux
20	24	UNI-540	125 lm/W	2500	117 lm/W	2333
30	32	UNI-540	125 lm/W	3750	117 lm/W	3500
40	48	UNI-540	125 lm/W	5000	117 lm/W	4667

5050 LED

Power (W)	LED QTY (pcs)	Light Distribution	4000K Ra70@Ta=25 C		3000K Ra70@Ta=25 C	
			Luminaire Efficiency	Luminous Flux	Luminaire Efficiency	Luminous Flux
20	12	UNI-618	140 lm/W	2800	130 lm/W	2600
30	18	UNI-618	140 lm/W	4200	130 lm/W	3900
40	18	UNI-618	140 lm/W	5600	130 lm/W	5200
60	24	UNI-618	140 lm/W	8400	130 lm/W	7800

Power (W)	LED QTY (pcs)	Light Distribution	4000K Ra70@Ta=25 C		3000K Ra70@Ta=25 C	
			Luminaire Efficiency	Luminous Flux	Luminaire Efficiency	Luminous Flux
20	18	UNI-618	150 lm/W	3000	140 lm/W	2800
30	24	UNI-618	150 lm/W	4500	140 lm/W	4200
40	24	UNI-618	150 lm/W	6000	140 lm/W	5600

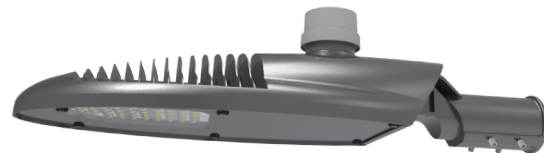
The luminaire efficacies are the typical values, ±7% tolerance is reserved.



UNI-STB7-2- 060 / 080 / 090 / 100
Tool-free Range



UNI-STB7-2- 060 / 080 / 090 / 100
Standard Range



UNI-STB7-2G- 060 / 080 / 090 / 100
Flat Glass Range

Basic

LED brand: Osram
 Driver brand: Inventronics / MOSO / Osram / Philips
 Insulation Class: Class I / Class II (optional)
 Protection Grade: IP66 / IK08
 Color Temperature: 3000 / 4000 / 5000±300K
 Pole Diameter: Ø60mm / Ø42mm / Ø76mm (optional)

Environment

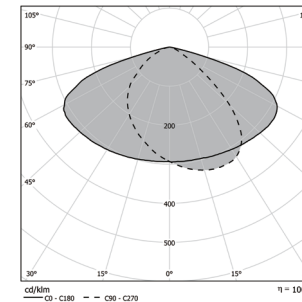
Operating Temperature: -40°C~ 45°C
 Operating Humidity: 10% ~ 90% RH
 Storage Temperature: -40°C~ 55°C

Electronics

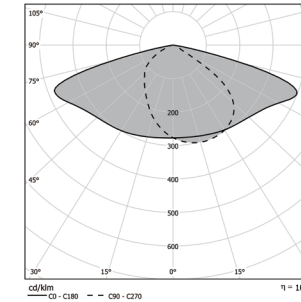
Rated Input Voltage: 100~277V
 Frequency: 50 / 60Hz
 Power Factor: 0.95
 Surge Protection: 10KV / 20KV
 Control Options: Photocontrol (NEMA)
 Timmer Control / 0~10V Dimming
 / DALI Control / NEMA 3 / 5 / 7-pin
 / Zhaga / Solar Compatible (optional)

Structure

Max Projected Area: 0.12m²
 Housing Material: Die Casting Aluminum
 Luminaire Dimension: 670×270×104 mm
 Packing Dimension: 600×330×250 mm
 Net Weight: 6.2±0.2 Kg
 Gross Weight: 7.2±0.2 Kg



UNI-540



UNI-618

Model Options

3030 LED

Power (W)	LED QTY (pcs)	Light Distribution	4000K Ra70@Ta=25 C		3000K Ra70@Ta=25 C	
			Luminaire Efficiency	Luminous Flux	Luminaire Efficiency	Luminous Flux
60	64	UNI-540	125 lm/W	7500	117 lm/W	7000
80	80	UNI-540	125 lm/W	10000	117 lm/W	9333
90	96	UNI-540	125 lm/W	11250	117 lm/W	10500
100	96	UNI-540	125 lm/W	12500	117 lm/W	11667

5050 LED

Power (W)	LED QTY (pcs)	Light Distribution	4000K Ra70@Ta=25 C		3000K Ra70@Ta=25 C	
			Luminaire Efficiency	Luminous Flux	Luminaire Efficiency	Luminous Flux
80	30	UNI-618	140 lm/W	11200	130 lm/W	10400
90	36	UNI-618	140 lm/W	12600	130 lm/W	11700
100	36	UNI-618	140 lm/W	14000	130 lm/W	13000

Power (W)	LED QTY (pcs)	Light Distribution	4000K Ra70@Ta=25 C		3000K Ra70@Ta=25 C	
			Luminaire Efficiency	Luminous Flux	Luminaire Efficiency	Luminous Flux
60	30	UNI-618	150 lm/W	9000	140 lm/W	8400
80	42	UNI-618	150 lm/W	12000	140 lm/W	11200
90	48	UNI-618	150 lm/W	13500	140 lm/W	12600
100	48	UNI-618	150 lm/W	15000	140 lm/W	14000

The luminaire efficacies are the typical values, ±7% tolerance is reserved.



UNI-STB7-3-120 / 150
Tool-free Range



UNI-STB7-3-120 / 150
Standard Range



UNI-STB7-3G-120 / 150
Flat Glass Range

Basic

LED brand: Osram
 Driver brand: Inventronics / MOSO / Osram / Philips
 Insulation Class: Class I / Class II (optional)
 Protection Grade: IP66 / IK08
 Color Temperature: 3000 / 4000 / 5000±300K
 Pole Diameter: Ø60mm / Ø42mm / Ø76mm (optional)

Environment

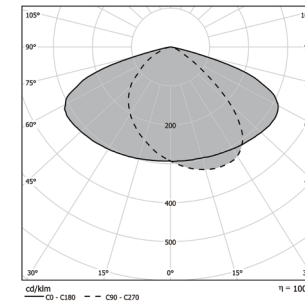
Operating Temperature: -40°C~ 45°C
 Operating Humidity: 10% ~ 90% RH
 Storage Temperature: -40°C~ 55°C

Electronics

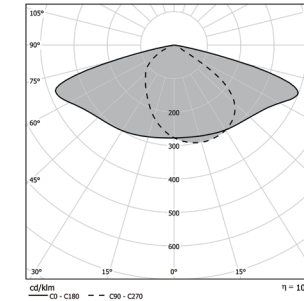
Rated Input Voltage: 100~277V
 Frequency: 50 / 60Hz
 Power Factor: 0.95
 Surge Protection: 10KV / 20KV
 Control Options: Photocontrol (NEMA)
 Timmer Control / 0~10V Dimming
 / DALI Control / NEMA 3 / 5 / 7-pin
 / Zhaga / Solar Compatible (optional)

Structure

Max Projected Area: 0.15m²
 Housing Material: Die Casting Aluminum
 Luminaire Dimension: 740×300×106 mm
 Packing Dimension: 680×360×250 mm
 Net Weight: 7.2±0.2 Kg
 Gross Weight: 8.2±0.2 Kg



UNI-540



UNI-618

Model Options

3030 LED

Power (W)	LED QTY (pcs)	Light Distribution	4000K Ra70@Ta=25°C		3000K Ra70@Ta=25°C	
			Luminaire Efficiency	Luminous Flux	Luminaire Efficiency	Luminous Flux
120	120	UNI-540	125 lm/W	15000	117 lm/W	14000
150	144	UNI-540	125 lm/W	18750	117 lm/W	17550

5050 LED

Power (W)	LED QTY (pcs)	Light Distribution	4000K Ra70@Ta=25°C		3000K Ra70@Ta=25°C	
			Luminaire Efficiency	Luminous Flux	Luminaire Efficiency	Luminous Flux
120	42	UNI-618	140 lm/W	16800	130 lm/W	15600
150	48	UNI-618	140 lm/W	21000	130 lm/W	19500

Power (W)	LED QTY (pcs)	Light Distribution	4000K Ra70@Ta=25°C		3000K Ra70@Ta=25°C	
			Luminaire Efficiency	Luminous Flux	Luminaire Efficiency	Luminous Flux
120	54	UNI-618	150 lm/W	18000	140 lm/W	16800
150	66	UNI-618	150 lm/W	22500	140 lm/W	21000

The luminaire efficacies are the typical values, ±7% tolerance is reserved.

Light Distributions

With 20 optical distributions for ultimate flexibility and precise lighting control



Type II
Typical applications:
Narrow roads and footpaths



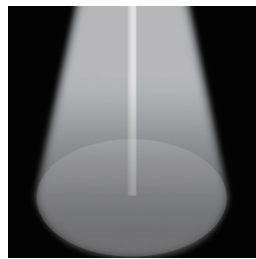
Type III
Typical applications:
Wide roads



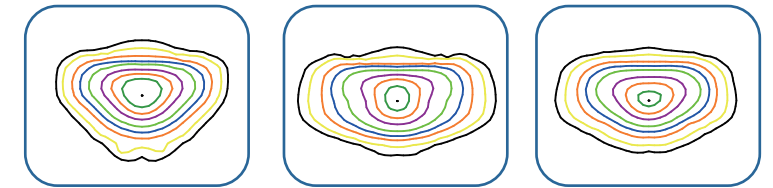
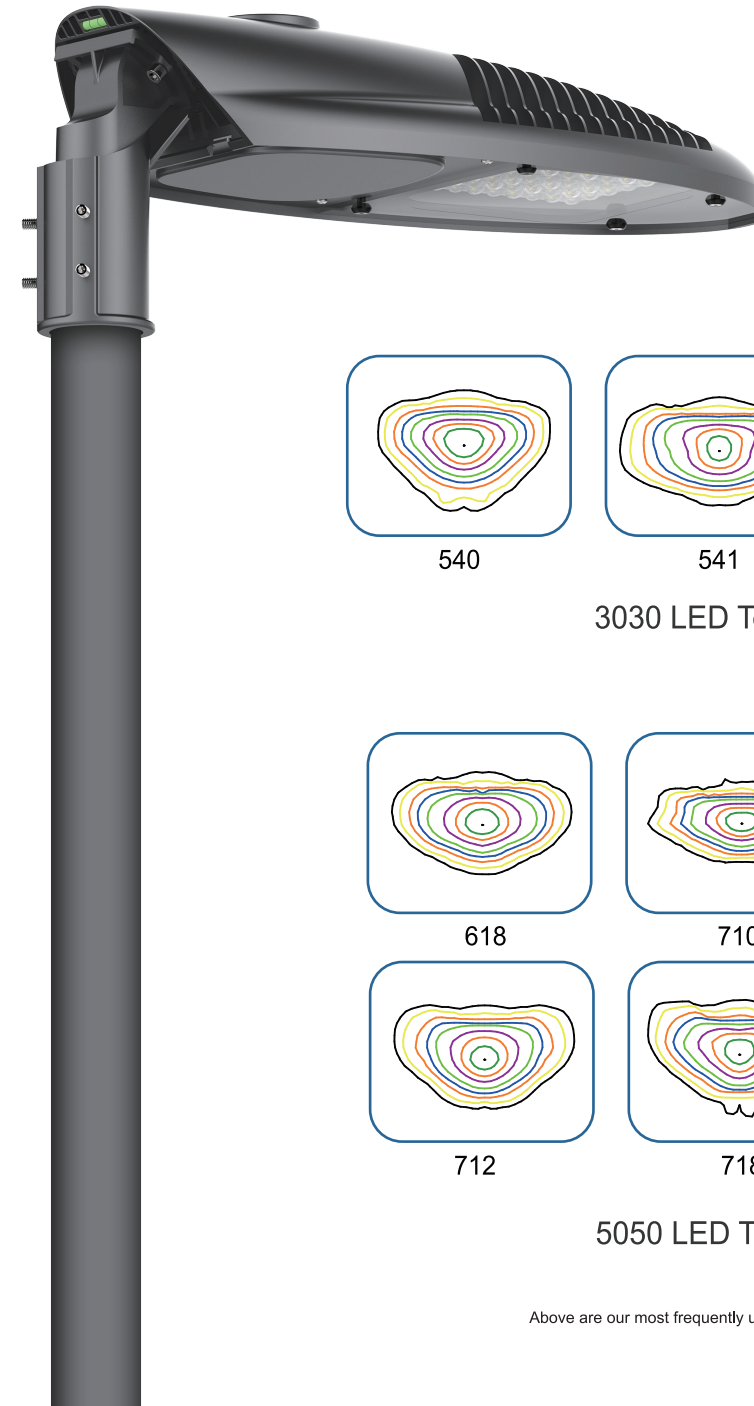
The precise lighting always offers a better lighting environment. The optical lens for zebra and pedestrian crossings have been specially developed to create a much safer illumination for pedestrians who cross the road at the crossings in the dark nights.



Type for pedestrian crossings
Typical applications:
Zebra and pedestrian crossings



Type V
Typical applications:
Area lighting applications

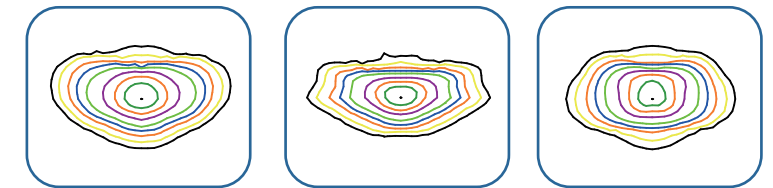


540

541

542

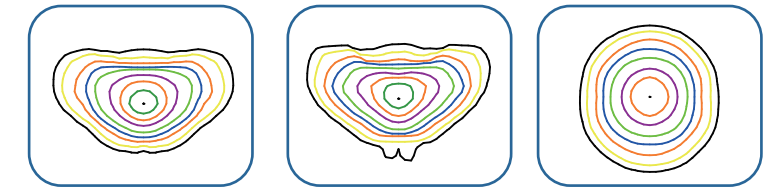
3030 LED Technology



618

710

711



712

718

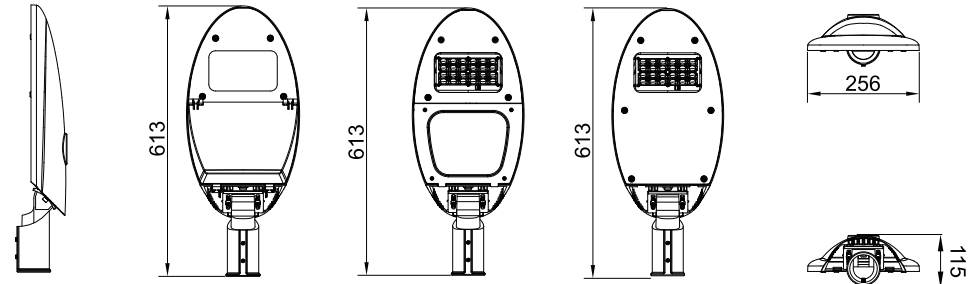
685

5050 LED Technology

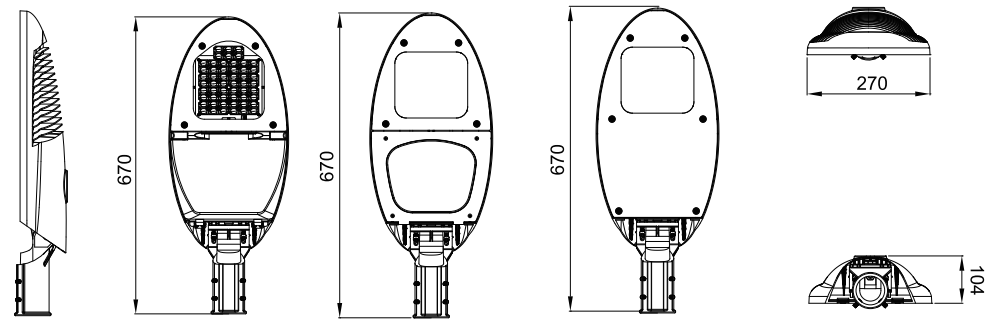
Above are our most frequently used light distribution optic lens.

Dimensions

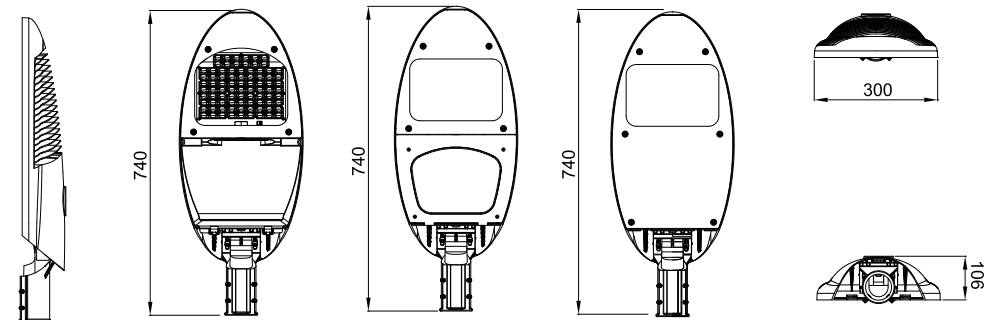
Micro



Mini



Midi

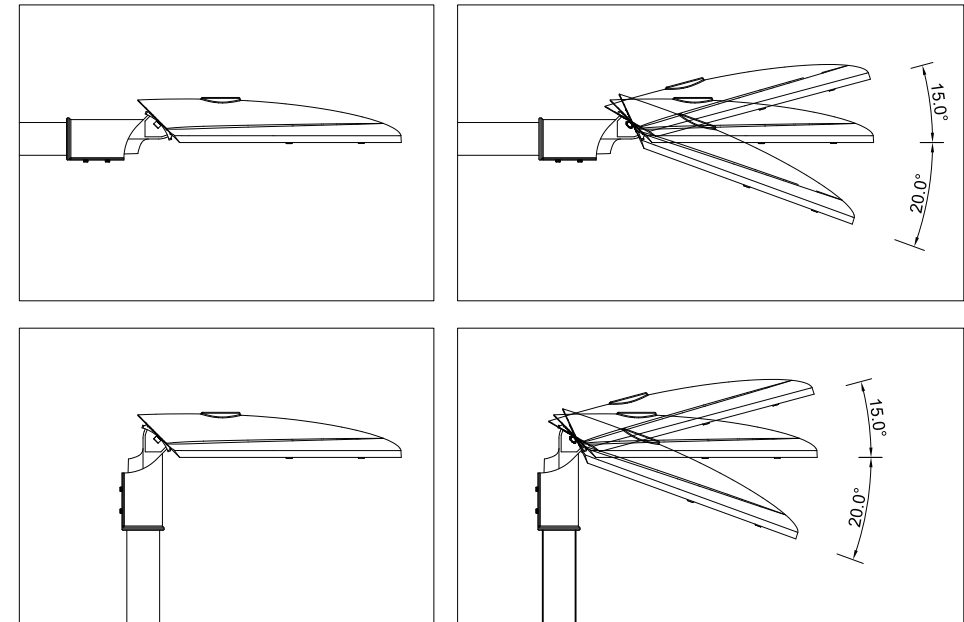


Spigot



Spigot

Dual-purpose spigots for side entry and post top installation
 -20° to +15° maximum tilt steps in 5-degree
 Constructed from robust die-casting aluminum
 Stainless steel hardware
 42 / 60 / 76 mm diameter options cater for existing or newly-fabricated light poles



Controller



NEMA Control



ZHAGA Control

Features

- With PWM and 0-10V dimming interfaces
- With the data acquisition of parameters like current, voltage, power and power factor
- With reporting the analysis of power consumption and energy saving
- With monitoring and detecting the status of LED luminaire
- Automatic faulty reporting function
- With surge protection function
- IP65 rated

Communication Interface	Communication Method	Communication Distance	Dimming Signal
NEMA	LoRa / ZigBee NB / 4G LTE	LoRa: 1000M ZigBee: 200M NB: ∞ 4G LTE: ∞	PWM 0-10v
ZHAGA	NB / 4G LTE	NB: ∞ 4G LTE: ∞	DALI 0-10v

