



# PRODUCT CATALOGUE

**Pin**



**Size**  
52mm, 80mm, 135mm, 195mm

**Wedge Pin**



**Size**  
3\*70mm

**Embedded Flat Tie**



**Size**  
100mm - 600mm

**Al-Waler Bracket**



**Size**  
4.5mm thickness for 50mm x 50mm steel pipe

**Prop Nut**



**Size**

match prop tube diameter 60mm

**Prop Sleeve**



**Size**

60 x 220 x 3.0mm

**Prop Pin**



**Size**

11.5 x 110mm

**Steel Prop**



**Size**

min 1.9m - max 3.5m

**Tie Rod & Nut**



**Size**

T16 x 80 x 50, T18 x 80 x 50

**Formwork Panel Puller**



**Size**

1200mm length

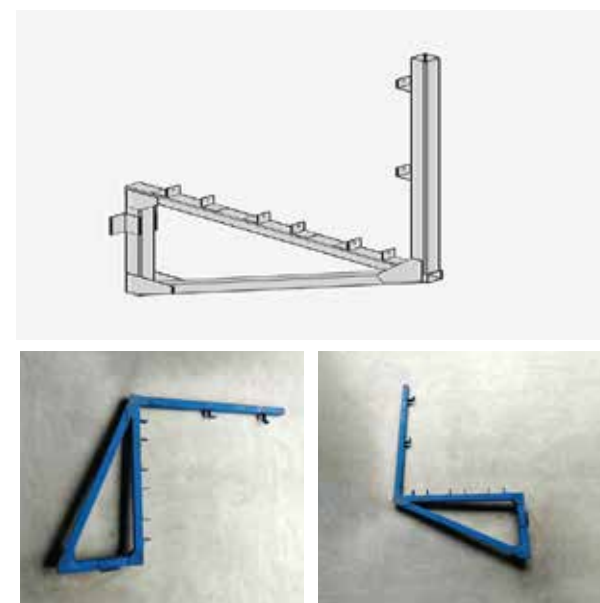
**Working Bench**



**Size**

Height : 1m , 1.2m , 1.5m

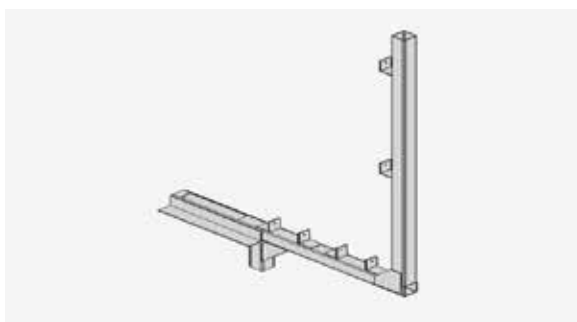
**Wall Working Platform**



**Size**

Fixed On The R.C Wall As Working Platform

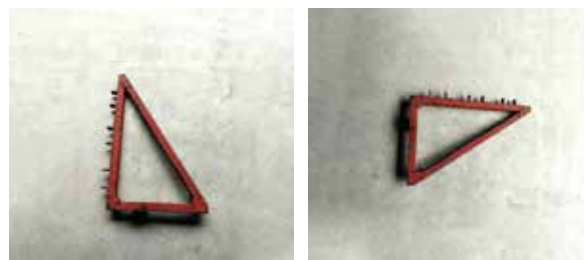
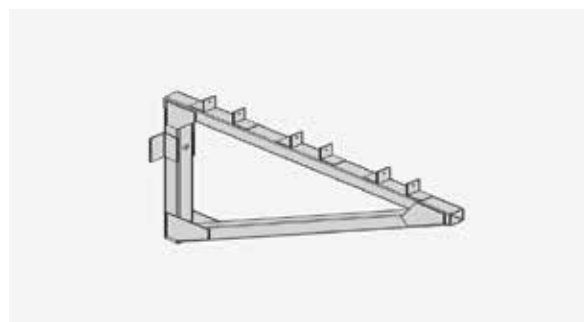
### Slab Working Platform



**Size**

Fixed On R.C Slab As Working Platform

### Core Working Platform



**Size**

Fixed On Liftcore Wall As Working Platform

### Extursion



**Side Rail**

used for patching up extruded panels.  
Size: 59.5mm (w) x 6.1m (L)


### Reusable Flat Tie





**Size**

100mm - 400mm



 No. 219A, Jalan Tun Razak, Taman Andalas Jaya,  
41200 Klang, Selangor.

 03-3374 9600 (Office)

 03-3373 3243 (Fax)

 [EVCMarketing@hotmail.com](mailto:EVCMarketing@hotmail.com)

PRESENTED BY EVC MARKETING