



Features

Body

Body in die-cast copper-free aluminum alloy, treated by electrostatic spraying, with good performance of high temperature resistance and climate resistance. Tempered glass with good transmittancy.

Driver

Isolation Class I, Protection: OPP/OVP/SCP/OTP, Wide input voltage 90-265Vac, built-in active PFC > 0.96, THD < 15%, Surge Protection 10KV/6KV/4KV

Sources

LED light source with different possibilities of temperature color (standard Natural White 4000K, executions on request also with 3000K, 6000K). High coefficient of performance chromatic CRI ≥ 85. lifespan > 50,000hrs.

Application

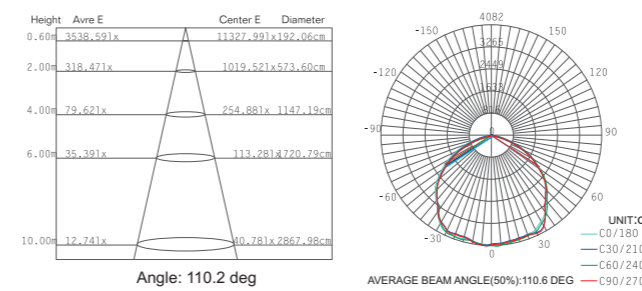
Ideal to be used in the oilfield, chemical industry, steel industry, power, port, Petroleum etc. Harsh environment, moist area. Zone 1, Zone2 Gas explosive environment: Group IIA IIB IIC Temperature class: T5-T6

Specification

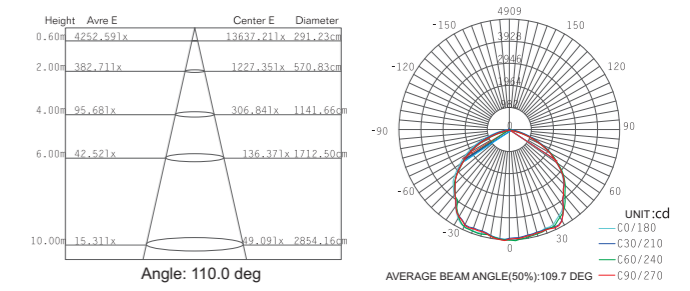
Model Name	NEW-FBP	
Input Voltage	AC90-265V	
Power Frequency	50/60Hz	
Power Factor	≥ 0.96	
Wattage	120W	150W
Lamp Luminous Flux (LM)	> 13200 lm	> 16500lm
Luminous Efficiency	110-130 lm/W	
LED Working Voltage	DC30-42V	

CCT	2700- 3500K
	3500-5000K
	5000-6500K
CRI	Ra ≥ 85
Operating Temperature	-30°C ~ +45°C
IP Rating	IP65
Anti-corrosion	WF2
LED Lifespan	> 50,000 hours

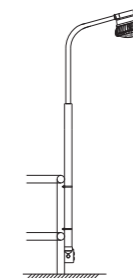
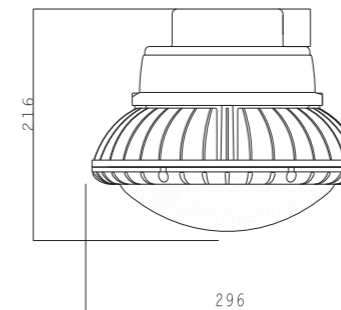
120W AVERAGE AND CENTER E FIGURE 120W LUMINOUS INTENSITY DISTRIBUTION



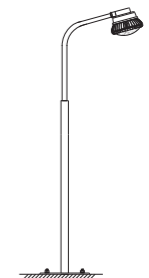
150W AVERAGE AND CENTER E FIGURE 150W LUMINOUS INTENSITY DISTRIBUTION



Dimension(mm)& Fixture Installation



A fence



B flange

Package



N.W.: 14.2kg  
Inner carton size: 34\*34\*27cm  
Outer carton size: 70\*35\*29 (2pcs/ctn)  
G.W.: 30kg/ctn