



# KLE1029

## LED Explosion proof Light

-  II 2 G Ex dmb IIB T5 Gb
-  II 2 D Ex tb IIIC T90°C Db IP66
- -40°C to 55°C Ambient Temperature
- **ATEX-2014/34/EU**  
EN 60079-0:2012+A11:2013  
EN 60079-1:2014  
EN 60079-18:2015  
EN 60079-31:2014
- **EMC-2014/30/EU**
- **LVD-2014/35/EU**
- **RoHS-2011/65/EU**



# KLE1029

## LED Explosion proof Light

### Key Features:

- 1 High quality aluminum alloy housing
- 2 Impact resistant clear lens with tempered glass,maximum efficacy,minimum glare
- 3 Professional thermal design with ventilation
- 4 Professional light distribution design, suitable for different lighting requirements



### Additional Features:

- Standard 6-12KV surge protection
- Beam angle for 60°x60°,90°x90°,120°x120°.
- 3 year warranty

### Standard Materials:

- Body:aluminum alloy(less than 0.4% copper content) with grey-painted or yellow-painted finish options.
- Lens: clear tempered glass

### Features & Benefits:

- 1 Environmentally Friendly 50,000 hrs lifetime
- 2 Superior color rendering index compared to HPS, LPS or MV
- 3 Low temperature applications to -40°C and high temperature up to 55°C
- 4 Best-in-class efficacy-Up to 110 lumens per watt
- 5 Temperature compensation technology for longer life
- 6 Low maintenance costs and power consumption reduced by over 50%

# KLE1029

LED Explosion proof Light

## Catalog Number Logic

**KLE1029 - U - 30 - 12 - 50 - XX**

①      ②      ③      ④      ⑤      ⑥

① **BASIC SERIES**

② **VOLTAGE/FREQUENCY**  
U=90-305V 50/60Hz

③ **LAMP WATTAGE**  
30=30 Watt  
50=50 Watt  
80=80 Watt  
100=100 Watt  
120=120 Watt  
150=150 Watt  
180=180 Watt  
200=200 Watt

④ **Beam Angle**  
12=120X120°  
09=90X90°  
06=60X60°

⑤ **CCT**  
60=6000K CCT  
50=5000K CCT(recommend)  
40=4000K CCT

⑥ **OPTIONS**  
CM=Ceiling Mount  
HM=Holder Mount  
WM=Wall Mount

**Mounting Hardware not include. Please see options for mounting selections.**

Catalog logic is for explaining catalog number structure only.  
Not all combinations are possible; consult factory for catalog numbers not listed in charts.

# KLE1029

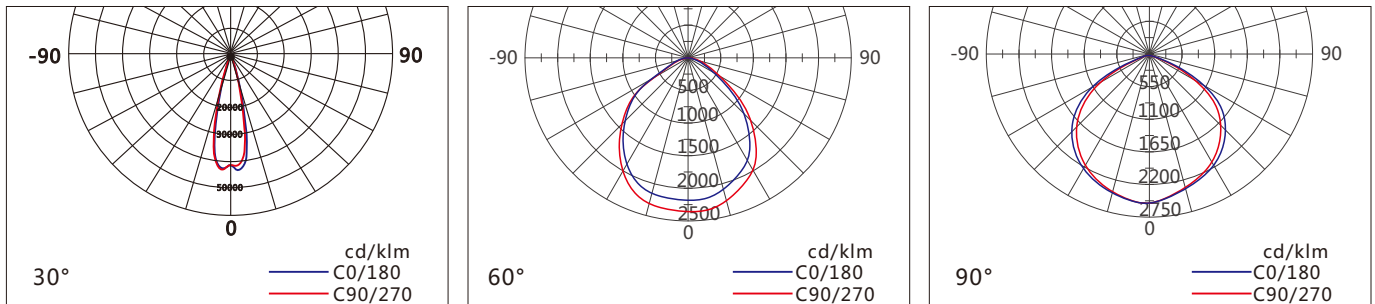
## LED Explosion proof Light

### Certification Guide-Beam Angle: 120 degree

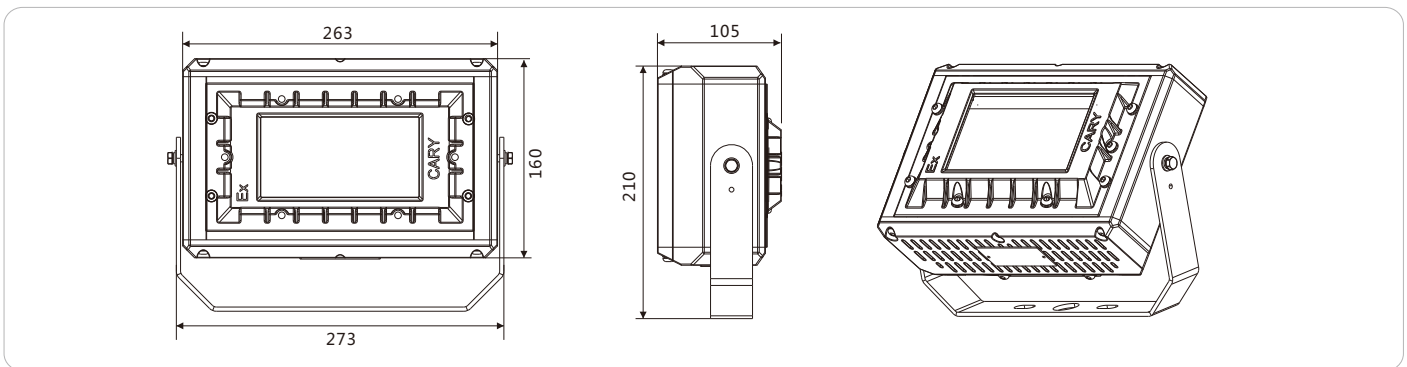
Model	Wattage	Operating Voltage	Total Lumens	Lumen per Watt	CRI	CCT *	Ambient Temperature	Ex-mark for Gas	Ex-mark for Dust	Supply Wire Suitable Temperature
KLE1029U30	30W	90-305V 50/60Hz	2360	112	75	5055	-40°C<Tamb<55°C	Ex II 2 G Ex dmb IIB T5 Gb	Ex II 2 D Ex tb IIIC T90°C Db IP66	80°C
KLE1029U50	50W	90-305V 50/60Hz	5600	112	74	5025	-40°C<Tamb<55°C	Ex II 2 G Ex dmb IIB T5 Gb	Ex II 2 D Ex tb IIIC T90°C Db IP66	80°C
KLE1029U80	80W	90-305V 50/60Hz	8960	112	75	5047	-40°C<Tamb<55°C	Ex II 2 G Ex dmb IIB T5 Gb	Ex II 2 D Ex tb IIIC T90°C Db IP66	80°C
KLE1029U100	100W	90-305V 50/60Hz	11240	112	75	5032	-40°C<Tamb<55°C	Ex II 2 G Ex dmb IIB T5 Gb	Ex II 2 D Ex tb IIIC T90°C Db IP66	80°C
KLE1029U120	120W	90-305V 50/60Hz	13320	111	75	5043	-40°C<Tamb<55°C	Ex II 2 G Ex dmb IIB T5 Gb	Ex II 2 D Ex tb IIIC T90°C Db IP66	80°C
KLE1029U150	150W	90-305V 50/60Hz	16200	112	74	5021	-40°C<Tamb<55°C	Ex II 2 G Ex dmb IIB T5 Gb	Ex II 2 D Ex tb IIIC T90°C Db IP66	80°C
KLE1029U180	180W	90-305V 50/60Hz	20160	112	75	5050	-40°C<Tamb<55°C	Ex II 2 G Ex dmb IIB T5 Gb	Ex II 2 D Ex tb IIIC T90°C Db IP66	80°C
KLE1029U200	200W	90-305V 50/60Hz	22400	112	74	5028	-40°C<Tamb<55°C	Ex II 2 G Ex dmb IIB T5 Gb	Ex II 2 D Ex tb IIIC T90°C Db IP66	80°C
KLE1029U300	300W	90-305V 50/60Hz	33350	111	74	5036	-40°C<Tamb<55°C	Ex II 2 G Ex dmb IIB T5 Gb	Ex II 2 D Ex tb IIIC T90°C Db IP66	80°C

\* All values typical unless otherwise stated (tolerance +/- 10%)

### Photometric Data



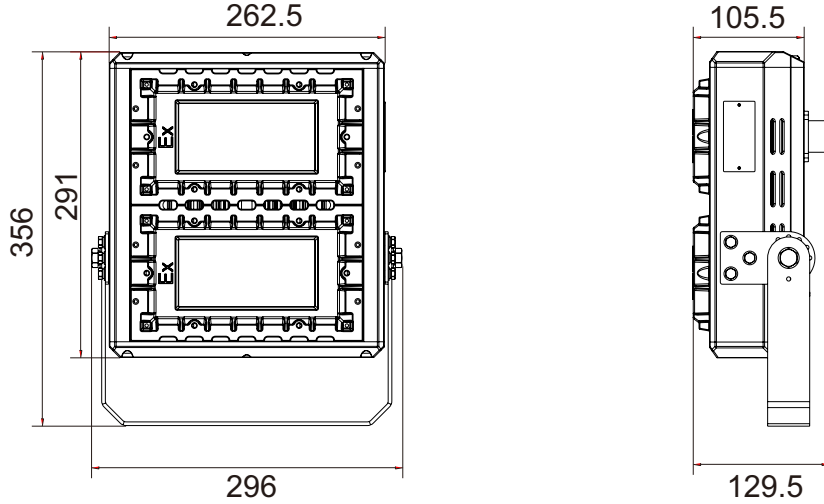
### Fixture Dimensions(mm)



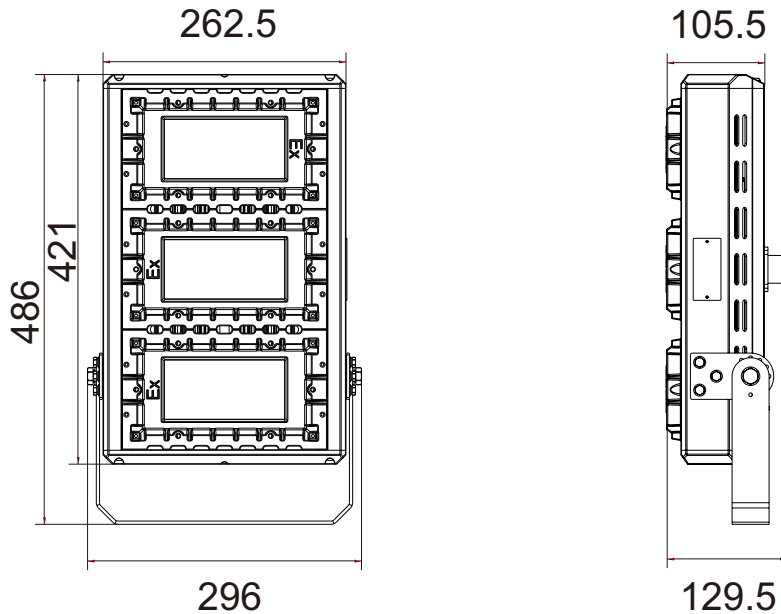
KLE1029 Series	Net Weight(kg)	Boxed Weight(kg)	Shipping Volume(m <sup>2</sup> )
KLE1029U30	3.8	4.5	0.021
KLE1029U50			

# KLE1029

## LED Explosion proof Light



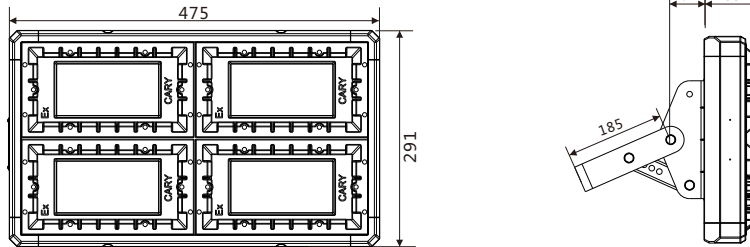
Model	Net Weight(kg)	Boxed Weight(kg)	Shipping Volume(m <sup>2</sup> )
KLE1029U80	7.4	8.3	0.03
KLE1029U100			



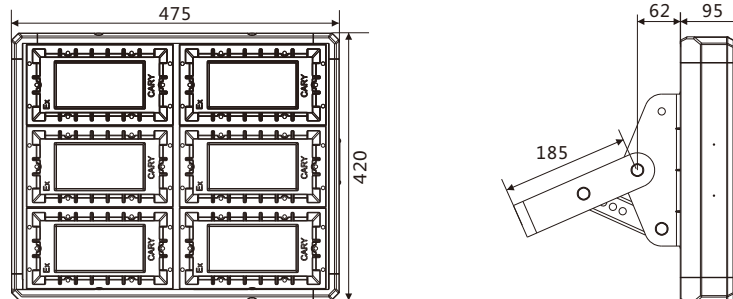
Model	Net Weight(kg)	Boxed Weight(kg)	Shipping Volume(m <sup>2</sup> )
KLE1029U120	9.8	11	0.039
KLE1029U150			

# KLE1029

## LED Explosion proof Light



Model	Net Weight(kg)	Boxed Weight(kg)	Shipping Volume(m <sup>2</sup> )
KLE1029U180	15.8	17.5	0.047
KLE1029U200			



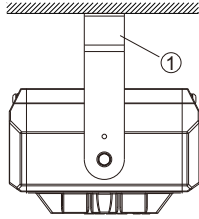
Model	Net Weight(kg)	Boxed Weight(kg)	Shipping Volume(m <sup>2</sup> )
KLE1029U300	19.8	21	0.061

# KLE1029

## LED Explosion proof Light

### Accessories(50W)

#### Ceiling Mount



#### Ceiling Mount

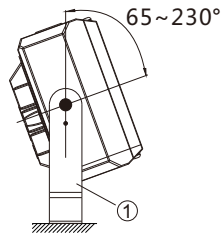
Catalog Number:1029001

Qty: 1 kit

Shipping Weight: 0.6 kg/kit

Mounting Type	Ordering Code	Part SN	Part Name	Ordering Code	Part Qty.	Material	Weight(kg/pcs)
Ceiling Mount	1029001	①	U-Bracket	1029001	1	SUS304	0.6

#### Holder Mount



#### Holder Mount

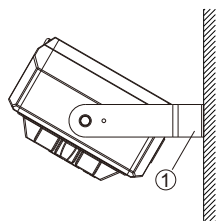
Catalog Number:1029001

Qty: 1 kit

Shipping Weight: 0.6 kg/kit

Mounting Type	Ordering Code	Part SN	Part Name	Ordering Code	Part Qty.	Material	Weight(kg/pcs)
Ceiling Mount	1029001	①	U-Bracket	1029001	1	SUS304	0.6

#### Wall Mount



#### Wall Mount

Catalog Number:1029001

Qty: 1 kit

Shipping Weight: 0.6 kg/kit

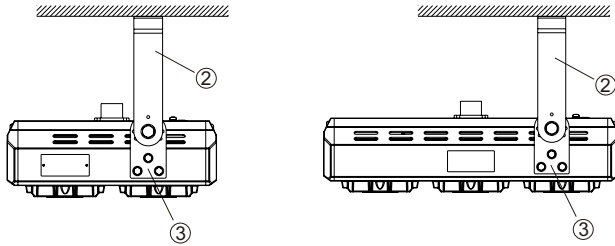
Mounting Type	Ordering Code	Part SN	Part Name	Ordering Code	Part Qty.	Material	Weight(kg/pcs)
Ceiling Mount	1029001	①	U-Bracket	1029001	1	SUS304	0.6

# KLE1029

## LED Explosion proof Light

### Accessories(80-150W)

#### Ceiling Mount



#### Ceiling Mount

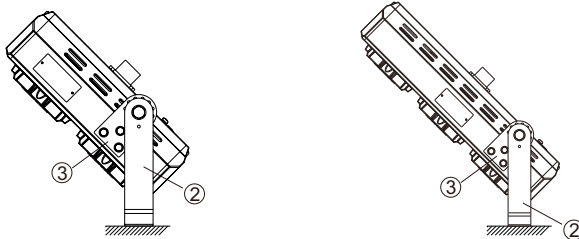
Catalog Number:1029002

Qty: 1 kit

Shipping Weight: 0.83 kg/kit

Mounting Type	Ordering Code	Part SN	Part Name	Ordering Code	Part Qty.	Material	Weight(kg/pcs)
Ceiling Mount	1029002	②	U-Bracket	1029005	1	SUS304	0.63
		③	Bracket	1029006	2	SUS304	0.1

#### Holder Mount



#### Holder Mount

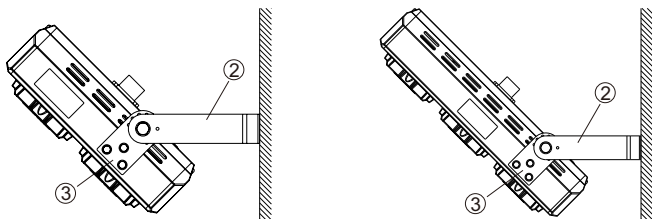
Catalog Number:1029002

Qty: 1 kit

Shipping Weight: 0.83 kg/kit

Mounting Type	Ordering Code	Part SN	Part Name	Ordering Code	Part Qty.	Material	Weight(kg/pcs)
Ceiling Mount	1029002	②	U-Bracket	1029005	1	SUS304	0.63
		③	Bracket	1029006	2	SUS304	0.1

#### Wall Mount



#### Wall Mount

Catalog Number:1029002

Qty: 1 kit

Shipping Weight: 0.83 kg/kit

Mounting Type	Ordering Code	Part SN	Part Name	Ordering Code	Part Qty.	Material	Weight(kg/pcs)
Ceiling Mount	1029002	②	U-Bracket	1029005	1	SUS304	0.63
		③	Bracket	1029006	2	SUS304	0.1

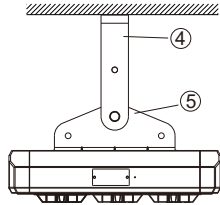


# KLE1029

## LED Explosion proof Light

### Accessories(180-300W)

#### Ceiling Mount



#### Ceiling Mount

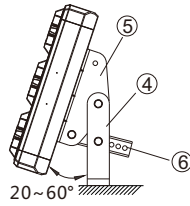
Catalog Number:1029003

Qty: 1 kit

Shipping Weight: 2.8 kg/kit

Mounting Type	Ordering Code	Part SN	Part Name	Ordering Code	Part Qty.	Material	Weight(kg/pcs)
Ceiling Mount	1029003	④	U-Bracket	1029007	1	Q235	1.4
		⑤	L-Bracket	1029008	2	Q235	0.7

#### Holder Mount



#### Holder Mount

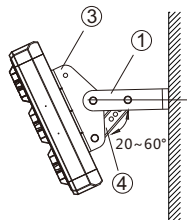
Catalog Number:1029004

Qty: 1 kit

Shipping Weight: 3.2 kg/kit

Mounting Type	Ordering Code	Part SN	Part Name	Ordering Code	Part Qty.	Material	Weight(kg/pcs)
Holder Mount	1029004	④	U-Bracket	1029007	1	Q235	1.4
		⑤	L-Bracket	1029008	2	Q235	0.7
		⑥	U-Bracket	1029009	2	Q235	0.2

#### Wall Mount



#### Wall Mount

Catalog Number:1029004

Qty: 1 kit

Shipping Weight: 3.2 kg/kit

Mounting Type	Ordering	Part SN	Part Name	Ordering Code	Part Qty.	Material	Weight(kg/pcs)
Wall Mount	1029004	④	U-Bracket	1029007	1	Q235	1.4
		⑤	L-Bracket	1029008	2	Q235	0.7
		⑥	U-Bracket	1029009	2	Q235	0.2