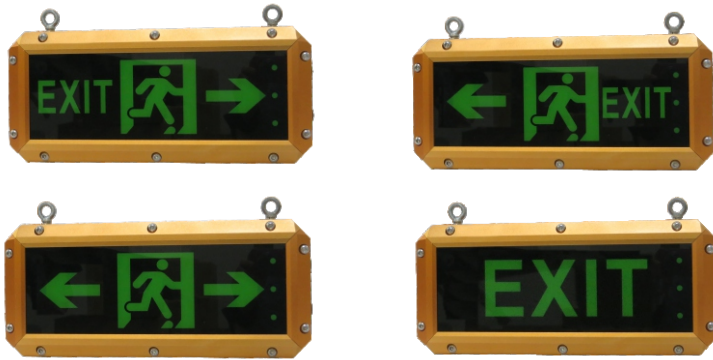


LED Explosion-proof Lighting

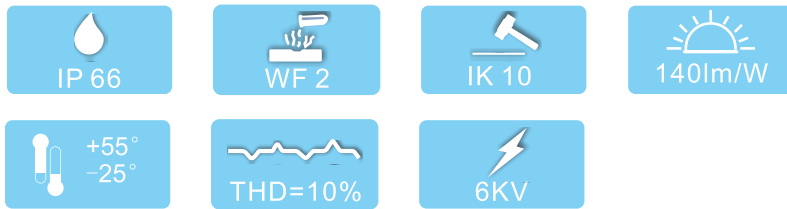
LED Indicating light

4W / 340mm



Features

- Length available 340mm.
- Osram led source, high lumen output over 140lm/W.
- Extruded Copper-free Aluminum, high intensity, endure 20J impact.
- Shock and vibration resistant.
- Own design and produced LED drivers are provide reliable operation.
- Capable to work on extreme high and low temperature -10℃~+45℃, keep good performance.
- IP66, WF2, can be used in ocean environment.
- Lightning protection 6KV, THD≤10%.
- Various installations.
- Warranty: 3 Years



Applications

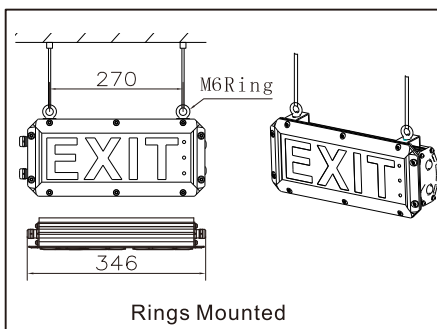
- Ex mark: Ex e ib mb IIC T4 Gb. For Zone 1 and Zone 2, Zone 21 and Zone 22.
- Ideal for petroleum, oil well, refineries, on land and offshore rigs, pumping station, petrochemical plants, tunnel and emergency area lighting, etc.

Technical parameters – Indicating light

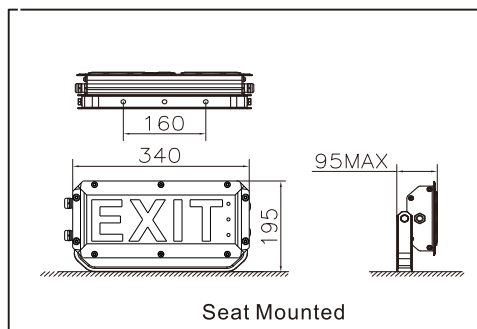
Power consumption	Item No.	Input voltage & frequency	Emergency time	Directions	Llight intensity	Working ambient temp.	IP Grade	Dimensions
4W	Ex-BCTD04	AC 100-277V / 50-60Hz	2hrs	No Direction	50~300 cd/m ²	-25~+55℃	IP66	340*160*80mm
4W	Ex-BCTD04-L	AC 100-277V / 50-60Hz	2hrs	Left	50~300 cd/m ²	-25~+55℃	IP66	340*160*80mm
4W	Ex-BCTD04-R	AC 100-277V / 50-60Hz	2hrs	Right	50~300 cd/m ²	-25~+55℃	IP66	340*160*80mm
4W	Ex-BCTD04-T	AC 100-277V / 50-60Hz	2hrs	Bi-direction	50~300 cd/m ²	-25~+55℃	IP66	340*160*80mm

Note: Emergency directions and graphic signs can be customized according to different demands.

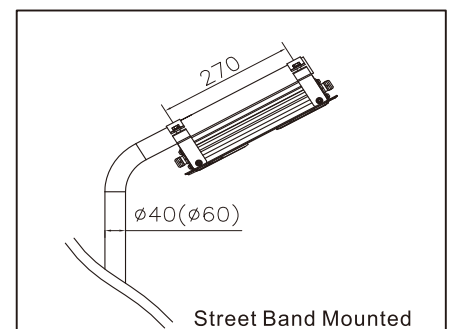
Installation



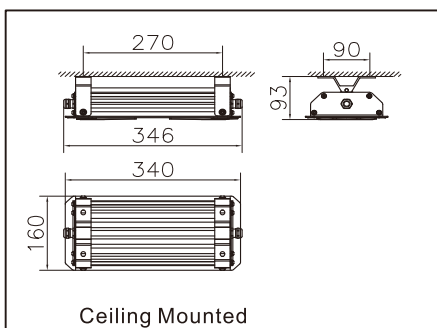
Rings Mounted



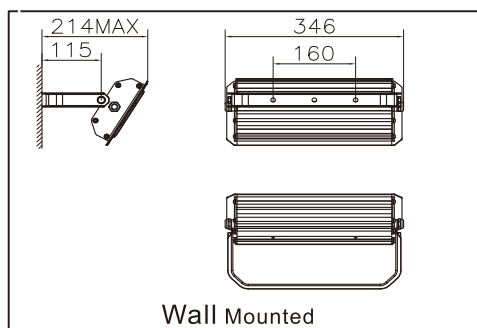
Seat Mounted



Street Band Mounted



Ceiling Mounted



Wall Mounted

Product length (mm)	340
Rings mounted size(mm)	270
Seat mounted size(mm)	160
Ceiling mounted size(mm)	270
Wall mounted size(mm)	160
Street band mounted size(mm)	270