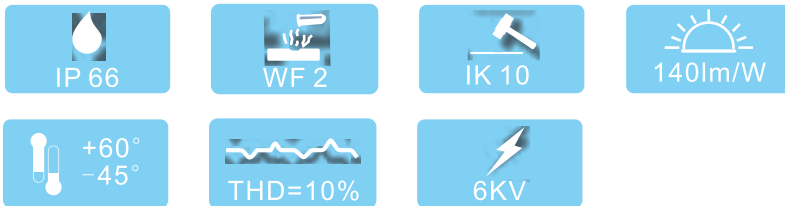


# LED Explosion-proof Lighting

## LED Platform Light 30W / 45W / 60W / 80W



### Features

- OSRAM LED source, high lumen output over 140lm/W.
- 360° annular LED light source distribution, anti-glare.
- Extruded copper-free aluminum, high intensity, can endure 20J impact.
- Own design and produced LED drivers provide reliable operation in harsh environment.
- Capable to work on extreme high and low temperature -45°C~+60°C, keep good performance.
- IP66 and high corrosion resistance, can be used in ocean environment.
- Lightning protection 6KV, THD≤10%.
- Emergency function available.

### Applications

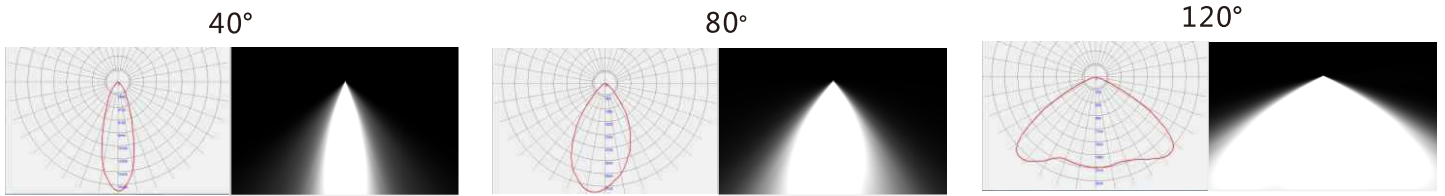
- Ex d IIC 101°C(T4) Gb.For Zone 1 and Zone 2.  
Ex tb IIIC T96°C Db IP66. For Zone 21 and Zone 22.  
Especially can be used in hydrogen existing environment.
- Ideal for oil and gas industry, refineries, onshore and offshore rigs, pumping station, oil tank, petrochemical plants, mining, power generation, wharf and loading docks, etc.

LED Lights-Leopard	30W	45W	60W	80W
Lumen output (lm)	3600	4800	6000	8000
HID/HPS Equiv (approx)	50/70W	70W	100/150W	150/175W

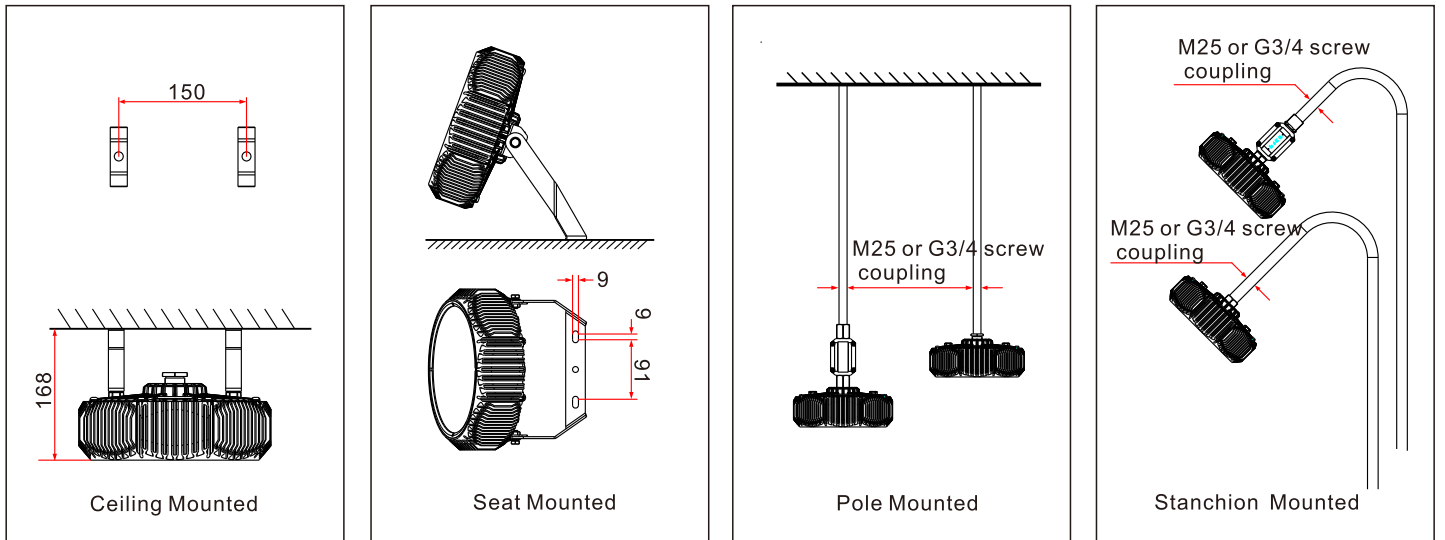
### Technical parameters

Power consumption	30W	45W	60W	80W
Item No.	Ex-BLP30	Ex-BLP45	Ex-BLP60	Ex-BLP80
Input voltage & frequency	AC 100-277V / 50-60Hz	AC 100-277V / 50-60Hz	AC 100-277V / 50-60Hz	AC 100-277V / 50-60Hz
Input current	100~330mA	150~500mA	200~660mA	260~880mA
Power factor (PF)	≥ 0.98	≥ 0.98	≥ 0.98	≥ 0.98
LED chips	OSRAM	OSRAM	OSRAM	OSRAM
Luminous Flux	3600lm	4800lm	6000lm	8000lm
Colour rendering index (CRI)	Ra >70	Ra >70	Ra >70	Ra >70
Colour temperature	WW:2800~3300K PW:4700~5400K CW:5700~7100K	WW:2800~3300K PW:4700~5400K CW:5700~7100K	WW:2800~3300K PW:4700~5400K CW:5700~7100K	WW:2800~3300K PW:4700~5400K CW:5700~7100K
Beam angle	40°/80°/120°	40°/80°/120°	40°/80°/120°	40°/80°/120°
Working ambient temp.	-45°C~ +60°C	-45°C~ +60°C	-45°C~ +60°C	-45°C~ +60°C
IP Grade	IP66	IP66	IP66	IP66
Lifespan	≥ 50,000 hrs	≥ 50,000 hrs	≥ 50,000 hrs	≥ 50,000 hrs
Housing	Copper free Aluminium	Copper free Aluminium	Copper free Aluminium	Copper free Aluminium
Front Cover	Tempered glass	Tempered glass	Tempered glass	Tempered glass
Dimensions	Φ258*80mm	Φ258*80mm	Φ258*80mm	Φ258*80mm
Weight	3.5kg	3.5kg	3.5kg	3.5kg
Warranty	5 years	5 years	5 years	5 years

## Distribution Curve



## Installation



## Mounting Accessories

	Installation form	Standard Parts	Description
	Ceiling Bracket	Including attachments: Ceiling bracket, 2Pcs; Screws, M8X12, 4Pcs; Spring washers, 4Pcs; Flat pad, 4Pcs	Fixed installation, no angle adjustment.
	Seat Bracket	Including attachments: Seat bracket, 1Pcs; Right angle bracket, 2Pcs; Screws, M8X12, 4Pcs; Hex screws, 2Pcs; Spring washers, 6Pcs; Flat pad, 6Pcs	Adjustable at any angle.
	Pole Joint	Including attachments: Compression nut, 1Pcs; Rubber filler, 1Pcs; Flat pad, 6Pcs	Suitable for the pole mounted and stanchion mounted. G3 / 4, M25, NPT3 / 4 available.

## Ordering Information

Part number definition as follow:

<b>EX</b>	<b>B</b>	<b>LP</b>	<b>XXX</b>	<b>XX</b>	<b>XX</b>
Type	Brand	Series	Power	Light Distribution	CCTK
EX-Explosion proof		LP-Leopard	030-30W 045-45W 060-60W 080-80W	D40-40° D80-80° D120-120°	WW-2800~3300K PW-4700~5400K CW-5700~7100K

For example: Ex-BLP080D120CW