

cLLK07/cLLK07 N Fluorescent Light

Product Introduction

cLLK 07 series Ex-protected bi-pin fluorescent lamps are Exe designed, suitable for Zone 1/ Zone 21 by the presence of flammable vapors, gases or combustible dusts. With its excellent corrosion, impact & UV-resistance capability, it is the best choice for Marine and Offshore platforms under extreme corrosive environments and other industrial application.



- Enclosure: Glass-fiber reinforced polyester, 7J impact-resistant.
- Protective cover: Polycarbonate, 4J impact-resistant.
- Highly corrosion, impact & UV resistant.



- Double sided safety lock.



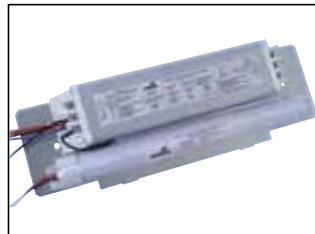
- Modern electronic ballast with EOL protection according to the latest standards.



- A second interlock switch increases the safety level for the operator.



- The replacement lamps can be safely deposited in the bowl.

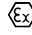
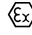


- Internal battery unit to save initial investment.
- Ex-component w/ U-cert.
- 1-lamp can be set on site for an emergency duration of 2hr.



- Central Lock Locking Mechanism, the housing and the protective bowl are securely locked by means of a locking mechanism on both sides that features 10(18W) or 20(36W) latch points.

cLLK07/cLLK07 N Fluorescent Light

Technical Data	
Marking acc.to ATEX	cLLK07:  II 2 G Ex deq IIC T4 / II 2 D Ex tD A21 IP66 T80°C cLLK07 N:  II 2 G Ex deibq IIC T4 / II 2 D Ex tD A21 IP66 T80°C
Marking acc.to IECEx	cLLK07: Ex d e q IIC T4 Gb / Ex tb IIIC T80°C Db IP66 cLLK07 N: Ex d e ib mb q C T4 Gb / Ex tb IIIC T80°C Db IP66
Rated voltage	cLLK07: 220V-240V AC, 50/60Hz; 220V DC cLLK07 N: 220V-240V AC, 50/60Hz
Permissible ambient temperature	cLLK07: -20°C to +45°C cLLK07N: -20°C to +40°C
Power factor	≥0.96
Ingress Protection	IP66
Connecting terminals	L1, L2, L3, L, N, PE; Max. 2 x 6mm ² single wire per terminal
Cable glands	Ex e cable glands M25 x 1.5 (plastic) for Cable from ø 8-17mm; Option: M20 x 1.5 metal thread
Lamp/Lamp cap	18W/36W(T8) , G13
Enclosure material	Glass-fibre reinforced polyester, 7J impact-resistant
Protective cover	Polycarbonate, 4J impact-resistant
Weight	cLLK07018/18: 4.6 kg; cLLK07036/36: 6.7 kg; cLLK07018/18N: 5.4 kg; cLLK07036/36N: 7.5 kg
Battery (cLLK07 N, emergency version)	Ni-Cd, 4Ah 6V
Battery operation temp (cLLK07 N, emergency version)	Charge: 0°C-+60°C / Discharge: -20°C-+70°C
Rated emergency operation duration (cLLK07 N, emergency version)	Single tube 2hr
Emergency Lumen output percent (cLLK07 N, emergency version)	Single tube 20%

T - Rating Performance			
Cat No.	Ambient	T code(Gas)	T C(Dust)
cLLK 07018/18	-20 °C~+45 °C	T4	80 °C
cLLK 07018/18N	-20 °C~+40 °C	T4	80 °C
cLLK 07036/36	-20 °C~+45 °C	T4	80 °C
cLLK 07036/36N	-20 °C~+40 °C	T4	80 °C

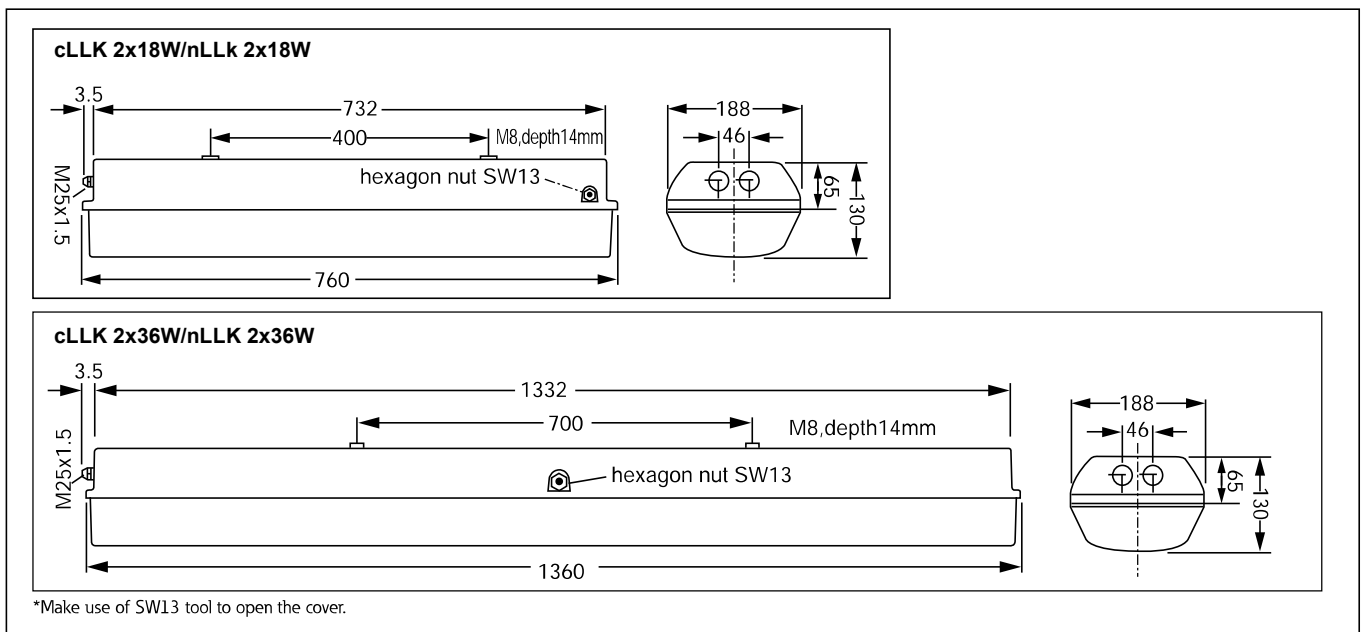
cLLK07/cLLK07 N Fluorescent Light

Ordering Information

Part No	Std. Cat No.	Wattage	Emergency Lighting Operation	Though-wiring		Cable entires	Glands	Plugs
				Single-ended	Double-ended			
CCL0700011A	cLLK 07018/18 1/6-1	2 x 18W	-	√	-	2 x M25 x 1.5	2 pcs(plastic)	
CCL0700012A	cLLK 07018/18 2/6-2	2 x 18W	-	-	√	4 x M25 x 1.5	2 pcs(plastic)	2 pcs(plastic)
CCL0700013A	cLLK 07018/18 1/6-1M	2 x 18W	-	√	-	2 x M20 x 1.5		1 pc(plastic) 1pc(blank plug)
CCL0700014A	cLLK 07018/18 2/6-2M	2 x 18W	-	-	√	4 x M20 x 1.5		2 pcs(plastic), 2pcs(blank plug)
CCL0700015A	cLLK 07036/36 1/6-1	2 x 36W	-	√	-	2 x M25 x 1.5	2 pcs(plastic)	
CCL0700016A	cLLK 07036/36 2/6-2	2 x 36W	-	-	√	4 x M25 x 1.5	2 pcs(plastic)	2 pcs(plastic)
CCL0700017A	cLLK 07036/36 1/6-1M	2 x 36W	-	√	-	2 x M20 x 1.5		1 pc(plastic) 1pc(blank plug)
CCL0700018A	cLLK 07036/36 2/6-2M	2 x 36W	-	-	√	4 x M20 x 1.5		2 pcs(plastic), 2pcs(blank plug)
CCL1100001A	cLLK 07018/18N 1/6-1	2 x 18W	2hr	√	-	2 x M25 x 1.5	2 pcs(plastic)	
CCL1100002A	cLLK 07018/18N 2/6-2	2 x 18W	2hr	-	√	4 x M25 x 1.5	2 pcs(plastic)	2 pcs(plastic)
CCL1100003A	cLLK 07018/18N 1/6-1M ⁽¹⁾	2 x 18W	2hr	√	-	2 x M20 x 1.5		1 pc(plastic) 1pc(blank plug)
CCL1100004A	cLLK 07018/18N 2/6-2M ⁽¹⁾	2 x 18W	2hr	-	√	4 x M20 x 1.5		2 pcs(plastic), 2pcs(blank plug)
CCL0800101A	cLLK 07036/36N 1/6-1	2 x 36W	2hr	√	-	2 x M25 x 1.5	2 pcs(plastic)	
CCL0800102A	cLLK 07036/36N 2/6-2	2 x 36W	2hr	-	√	4 x M25 x 1.5	2 pcs(plastic)	2 pcs(plastic)
CCL0800103A	cLLK 07036/36N 1/6-1M ⁽¹⁾	2 x 36W	2hr	√	-	2 x M20 x 1.5		1 pc(plastic) 1pc(blank plug)
CCL0800104A	cLLK 07036/36N 2/6-2M ⁽¹⁾	2 x 36W	2hr	-	√	4 x M20 x 1.5		2 pcs(plastic), 2pcs(blank plug)

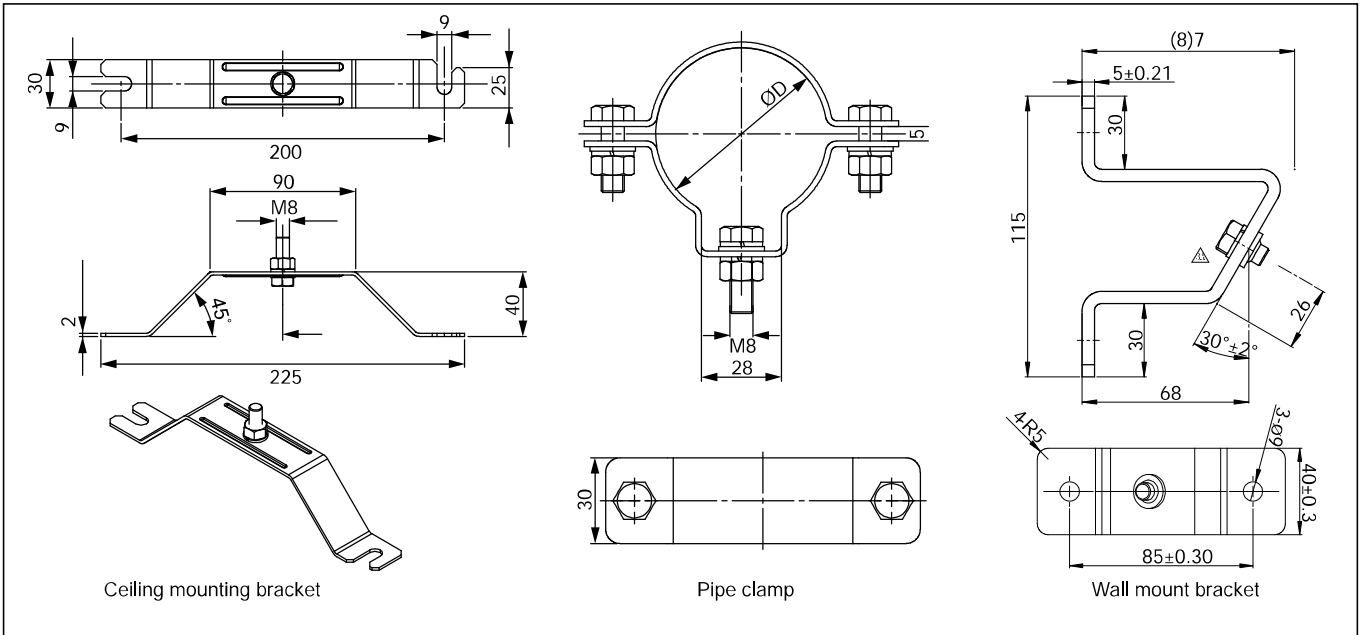
Product in grey color is only available in IECEx

Dimension Drawing



cLLK07/cLLK07 N Fluorescent Light

Mounting Accessories



Pipe Mounting

Part No	Description	Qty
CHR5218	Pipe Clamp Assy D42 316S/S	2
CHR5219	Pipe Clamp Assy D42 304S/S	2
CHR5220	Pipe Clamp Assy D42 plating	2
CHR5221	Pipe Clamp Assy D51 316S/S	2
CHR5222	Pipe Clamp Assy D51 304S/S	2
CHR5223	Pipe Clamp Assy D51 plating	2

Wall Mounting

Part No	Description	Qty
CHR5248	Wall Suspension 316S/S	2
CHR5249	Wall Suspension 304S/S	2
CHR5250	Wall Suspension Plating	2

Ceiling Mounting

Part No	Description	Qty
CHR5245	Ceiling Mounting BKT 316S/S	2
CHR5246	Ceiling Mounting BKT 304S/S	2
CHR5247	Ceiling Mounting BKT Plating	2

Safety Chain

Part No	Description	Qty
CHR7005	Safety Chain 316S/S	1