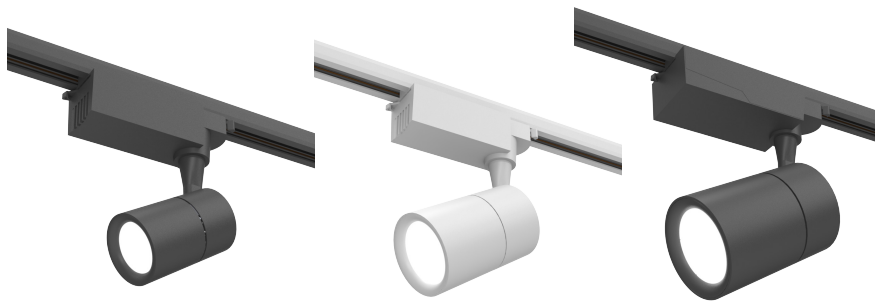


VSL OS TR 08 Series - LED Track Spotlight

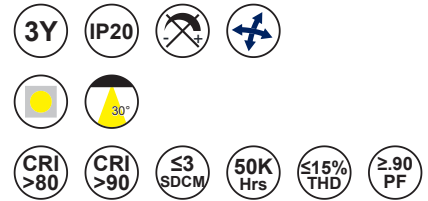
Indoor Luminaires



OS TR 208

OS TR 308

OS TR 408



Specifications:

- Polycarbonate Ring
- Die Cast Aluminium Body
- Electrostatically Polyester Powder Coated
- Polycarbonate Adaptor
- Adjustable Lamp Position
- Track Mounted

CCT (K):

3000K / 4000K

(CCT 835 / 927 / 930 / 935

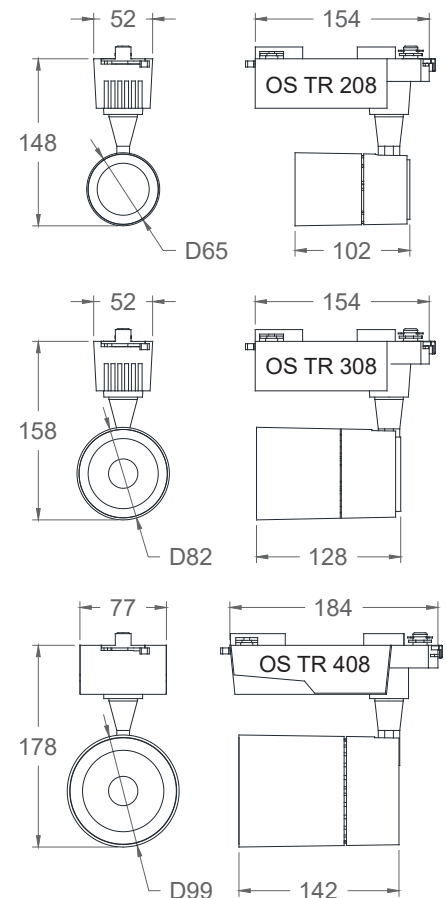
Made to Order / MOQ Requirement)

Available Colour:

Matt Black / Matt White

Applications

Shopping Malls / Offices / Hospitality / Corridors /
Restaurants / Boutiques / Shop Lighting / Lounges /
Public & Commercial Building



Optional:

Track - Single Circuit 1Mtr / 2 Mtr / 3 Mtr

Model	System Lumens (lm)	System Power (W)	Set Current (mA)	Beam Angle (°)	OSRAM LED Module	OSRAM / TRIDONIC LED Driver	Dimension (mm)
OS TR 208	1600 / 2200	15 / 20	350 / 500	30	PL-CORE-MINI-2000	OT FIT 20 / LC 25	As Shown
OS TR 308	2400 / 3200	20 / 28	500 / 700	30	PL-CORE-MINI-3000	OT FIT 30 / LC 30	As Shown
OS TR 408	2400 / 3200	20 / 28	500 / 700	30	PL-CORE-MINI-3000	OT FIT 30 / LC 30	As Shown
	3800 / 4800	32 / 42	800 / 1050	30	PL-CORE-MINI-4000	OT FIT 40 / LC 40	

Max. Operating Temperature at ta 0°C to +35°C