

VSL BOL Series - LED Bollard Lights

Outdoor Luminaires



OS BOL-1203
OS BOL-1603



Specifications:

- Body is Extruded From Aluminium
- Head is Die Cast From Aluminium Alloy
- Root Mounting Kit of Die Cast Aluminium Alloy
- Electrostatically Polyester Powder Coated
- Nylon Connecting Devices
- Ceramic Lampholder (E27)
- Anodized High Purity Aluminium Louver
- Acrylic Clear Diffuser
- Stainless Steel Screws
- Pre-Looping With Textile Silicone Wire
- Sealed With Silicone Gasket
- Surface Land Mounted

CCT (K):

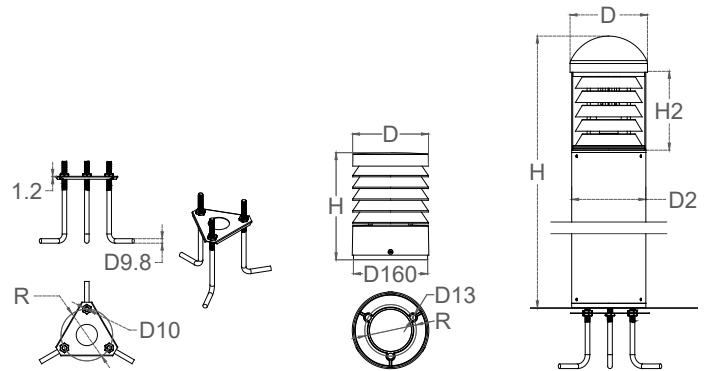
2700K / 6500K

Available Colour:

Matt Black / Matt Silver

Applications

Outdoor / Path



Model	Head Shape	Recommended LED Lamp	Lamp Base	Dimension (mm)			
				D x H	D2	H2	R
OS BOL-1203	Round	LED VALUE CLASSIC A60 8.5W	E27	126 x 850	120	105	80
OS BOL-1603	Round		E27	167 x 1000	160	170	112

* OSRAM LED VALUE CLASSIC A60 8.5W / 2700K or 6500K / 806lm / Lifespan 15K Hrs

Max. Operating Temperature at ta 0°C to +35°C